

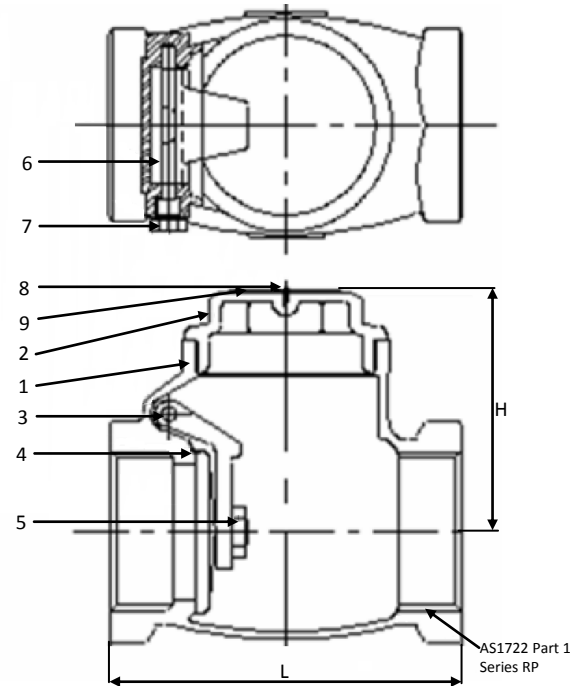
TESTED BRONZE SWING CHECK VALVE AS1628 MODEL - BBRG061

FEATURES AND BENEFITS

- Certified to AS1628 (SAI Global Cert No. WMKA1893)
- Size Range: 15mm - 100mm
- Maximum Pressure: PN20
- Temperature Range: -10°C - 100°C
- Hydrostatic closure seat test in accordance with ISO5208
- Dezincification Resistant
- Pipe thread ends BSP to AS1722, PART1 SERIES (parallel)



ITEM	COMPONENT	MATERIAL (ASTM)
1	Body	ASTM B62 C83600
2	Cap	ASTM B62 C83600
3	Hinge	ASTM B62 C83600
4	Disc	ASTM B62 C83600
5	Nut	AS352 DZR Brass
6	Pin	AS352 DZR Brass
7	Screw	AS352 DZR Brass
8	Rivet	ST.ST AS2837
9	Name Plate	Aluminium



SIZE MM	DIMENSIONS								
	15	20	25	32	40	50	65	80	100
L	66	70	83	96	108	128	160	180	204
H	45	49	58	65	73	89	108	123	140
F	11.4	12.9	14.5	16.8	16.8	21.1	23.2	26.3	37

