

# AGA Approved Butterfly Valves

The butterfly valve is a soft sealing valve for installation with flanges drilled in accordance with AS 2129 Table E. Dura butterfly valves are highly competitive with their absolutely tight sealing and low operation torque requirement, thus minimal operational wear and extended service life are long term benefits committed to the users.

Butterfly valves are available in sizes 50mm through to 150mm. Engineered for long-term, maintenance - free performance, Dura butterfly valves are commonly selected for a variety of applications spanning a wide range of industries.



## features

- All valves are individually factory tested at 1050kPa tight shut off (c.w.p) as standard.
- Is tight sealing, corrosion resistant, and has a low operation torque requirement.
- Available in both lugged and wafer (multifit ANSI & Table E) versions.
- The light weight and compact design reduces installation, storage and transport costs.
- Epoxy Coated as standard
- Working Temp  $-10^{\circ}\text{C}$  to  $80^{\circ}\text{C}$
- Top Flange conforms to 5211/1

*Valve has no flange, it is easily installed and it fits within the bolt circle diameter of Australian standard 2129.*

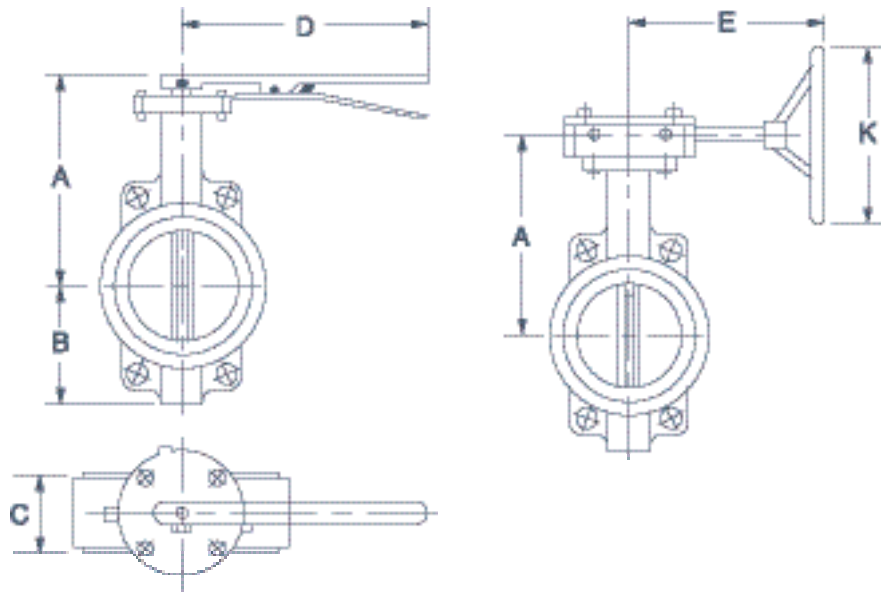
## material specification

Component	Material	BS	ASTM
Body	Cast Iron	1452 Gr 220	A126 Cl.B
Shaft	Stainless Steel	970 416 S21	AISI 416
Disc	Stainless Steel	1507 S316 C16	A351 CF8M
Bushings	PTFE	1400 LG2	B62 C83600
Liner	NBR	-	-
O-Rings	NBR	-	-

## dimensions

nominal size mm	A mm	B mm	C mm	D mm	E mm	K mm	Weight Lever (kg)	Weight Geared (kg)
50	191	80	42	262	134	150	4.6	8.1
65	203	91	45	262	134	150	5.3	8.8
80	211	95	45	262	134	150	5.5	9.1
100	230	112	50	262	134	150	9.0	12.3
125	245	134	54	262	134	150	11.6	14.9
150	255	138	56	262	134	150	13.5	16.8
200	271	170	58	326	240	305	20.2	31.1
250	326	198	68	415	240	305	33.3	43.6
300	366	234	77	415	257	305	45.5	58.4
350	413	267	80	-	257	305	-	73.9
400	451	309	90	-	350	305	-	121.5
450	473	328	109	-	350	305	-	145.6

*A gear operator and pneumatic or electric actuator are available on request. Other liners are available on request including PTFE & Viton.*



## KV values-valve sizing coefficients (m<sup>3</sup>/h at 1 bar ΔP)

Nominal Size	KV at disc opening								
	10°	20°	30°	40°	50°	60°	70°	80°	90°
50	0.05	2.6	6.1	13	23	38	61	91	100
65	0.09	5.2	10	22	39	65	103	154	170
80	0.17	7.8	16	34	61	100	158	238	261
100	0.26	15	31	68	120	199	315	472	519
125	0.43	25	53	115	205	339	536	804	884
150	0.39	39	82	177	317	523	829	1243	1366
200	1.7	77	163	353	629	1040	1646	2649	2713
250	2.6	131	277	600	1070	1771	2803	4205	4619
300	3.5	202	428	927	1653	2735	4329	6494	7136