

QUICK GUIDE

BACKFLOW SPARE PARTS



This backflow prevention guide is intended to provide general details on the most common parts and repair kits available and all information shown is for reference only. There are a number of spare parts not listed in this guide which may be available.

All efforts have been made to provide accurate details, however, All Valve Industries does not take any responsibility for the use of information contained here within.

For further information, please refer to the manufacturer's current specification sheets for up to date data.

CONTENTS

CONBRACO / APOLLO

| | | |
|---------|-------------------------------------|-------|
| 40-200 | Reduce Pressure Zone Device | 4-5 |
| 40-100 | Double Check Valve | 6-7 |
| 4A-200 | Reduce Pressure Zone Device BSP | 8 |
| 4A-100 | Double Check Valve BSP | 9 |
| 4AE-200 | Reduce Pressure Zone Device Flanged | 10-11 |
| 4AE-100 | Double Check Valve Flanged | 12-13 |

WILKINS

| | | |
|-----|------------------------------|----|
| 375 | Reduced Pressure Zone Device | 14 |
| 975 | Reduced Pressure Zone Device | 15 |
| 350 | Double Check Valve | 16 |
| 950 | Double Check Valve | 17 |

WATTS

| | | |
|-----|------------------------------|----|
| 009 | Reduced Pressure Zone Device | 18 |
| 909 | Reduced Pressure Zone Device | 19 |
| 007 | Double Check Valve | 20 |

CALEFFI

| | | |
|---------|------------------------------|----|
| 574/575 | Reduced Pressure Zone Device | 21 |
|---------|------------------------------|----|

FEBCO

| | | |
|------|------------------------------|-------|
| 860 | Reduced Pressure Zone Device | 22-23 |
| 850 | Double Check Valve | 24-25 |
| 825Y | Reduce Pressure Zone Device | 26 |
| 805Y | Double Check Valve | 27 |

AMES

| | | |
|--------|-----------------------------|----|
| 4000SS | Reduce Pressure Zone Device | 28 |
| 2000SS | Double Check Valve | 29 |

EMERSON / VALVCHEQ

| | | |
|------|-----------------------------|----|
| RP03 | Reduce Pressure Zone Device | 30 |
| DC03 | Double Check Valve | 30 |

BACKFLOW SPARE PARTS GUIDE

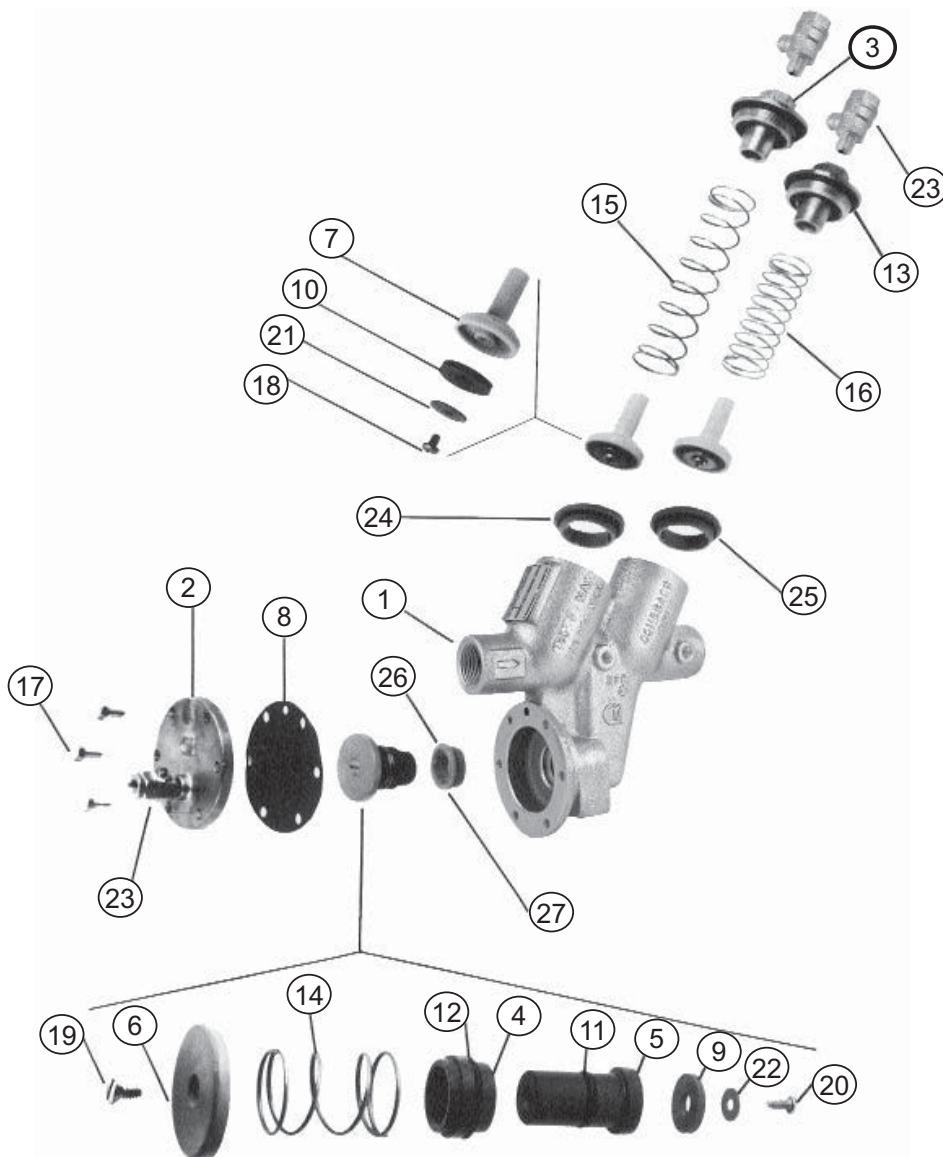


RPZ

40-200 Series

CONBRACO 40-200 15MM - 50MM

| Size | 15mm | 20mm - 25mm | 32mm - 50mm |
|---|---------|-------------|-------------|
| Major Repair Kit 4, 5, 6, 7 (2), 8, 9, 10 (2), 11, 12, 13 (2), 14, 18 (2), 19, 20, 21 (2), 22, 24 (2), 25 (2), 26, 27 | 40003A1 | 40004A1 | 40007A1 |
| Check Valve Repair Kit 7, 10, 13, 18, 21, 24, 25 | 40003A2 | 40004A2 | 40007A2 |
| Relief Valve Repair Kit 4, 5, 6, 8, 9, 11, 12, 14, 19, 20, 22, 26, 27 | 40003A3 | 40004A3 | 40007A3 |
| Rubber Repair Kit 8, 9, 10 (2), 11, 12, 13 (2), 25 (2), 27 | 40003A4 | 40004A4 | 40007A4 |
| Seat Repair Kit 24 (2), 25 (2), 26, 27 | 40003A7 | 40004A7 | 40007A7 |



| | |
|----|------------------|
| 1 | Body |
| 2 | R.V. Cover |
| 3 | Cap |
| 4 | R.V. Bushing |
| 5 | R.V. Stem |
| 6 | Diaphragm Plate |
| 7 | Poppet |
| 8 | R.V. Diaphragm |
| 9 | R.V. Seat Disc |
| 10 | Check Seat Disc |
| 11 | Stem O-Ring |
| 12 | Bushing O-Ring |
| 13 | Check Cap O-ring |
| 14 | R.V. Spring |
| 15 | 1st Check Spring |
| 16 | 2nd Check Spring |
| 17 | Hex Head Bolt |
| 18 | Screw |
| 19 | Screw |
| 20 | Screw |
| 21 | Retaining Washer |
| 22 | Retaining Washer |
| 23 | Test Cock |
| 24 | Check Seat |
| 25 | Check O-Ring |
| 26 | R.V. Seat |
| 27 | R.V. O-Ring |



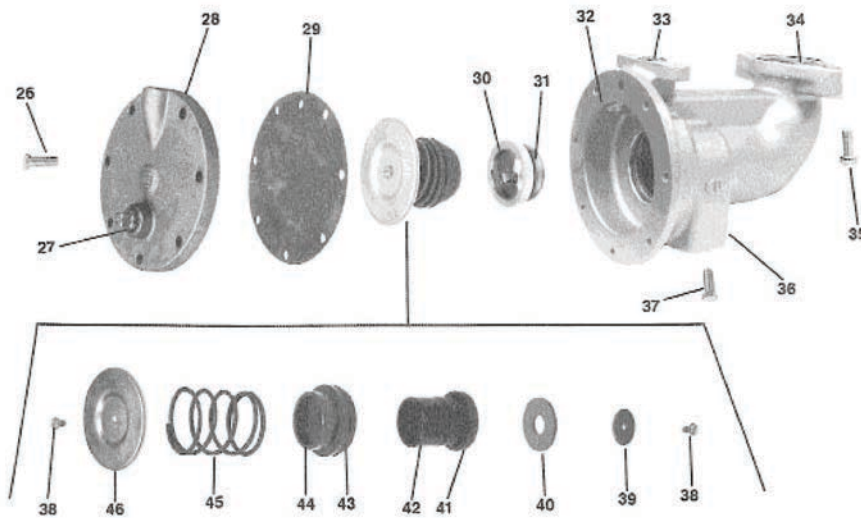
RPZ

40-200 Series

CONBRACO 40-200 65MM - 250MM

| Size | 65mm - 80mm | 100mm | 150mm | 200mm | 250mm |
|--|-------------|---------|---------|---------|---------|
| 1st Check Valve Repair Kit 12, 13, 14, 15, 16, 17, 18, 20, 21, 22 | 4000901 | 4000A01 | 4000C01 | 4000E01 | 4000G01 |
| 2nd Check Valve Repair Kit 12, 13, 14, 15, 16, 17, 19, 20, 21, 22 | 4000902 | 4000A02 | 4000C02 | 4000E02 | 4000G02 |
| Seat Repair Kit 10, 11, 22 | 4000903 | 4000A03 | 4000C03 | 4000E03 | 4000G03 |
| Rubber Repair Kit 2 of each (10, 13, 16, 22) | 4000904 | 4000A04 | 4000C04 | 4000E04 | 4000G04 |
| Relief Valve Repair Kit 29, 30, 31, 33, 34, 38, 39, 40, 41, 42, 43, 44, 45, 46 | 4000905 | 4000A05 | 4000C05 | 4000E05 | 4000G05 |
| Relief Valve Rubber Repair Kit 29, 31, 33, 34, 40, 42, 43 | 4000906 | 4000A06 | 4000C06 | 4000E06 | 4000G06 |

FOR 65MM - 250MM RPZ VALVE DIAGRAM, REFER TO DOUBLE CHECK VALVE



| | |
|----|-------------------------------|
| 26 | Relief Valve Cover Bolt |
| 27 | 1/2 NPT Plug (65-150mm) |
| 27 | 3/4 NPT Plug (200-250mm) |
| 28 | Relief Valve Cover |
| 29 | Relief Valve Diaphragm |
| 30 | Relief Valve Seat Ring |
| 31 | Relief Valve Seat Ring O-Ring |
| 32 | Relief Valve Body |
| 33 | Small Relief Valve O-Ring |
| 34 | Large Relief Valve O-Ring |
| 35 | Relief Valve Flange Bolt |
| 36 | 1/4 NPT Plug |
| 37 | Relief Valve Flange Bolt |
| 38 | Pan Head Screw |
| 39 | Relief Valve Seat Washer |
| 40 | Relief Valve Seat Disc |
| 41 | Relief Valve Stem |
| 42 | Relief Valve Stem O-Ring |
| 43 | Relief Valve Bushing O-Ring |
| 44 | Relief Valve Bushing |
| 45 | Relief Valve Spring |
| 46 | Diaphragm Plate |

BACKFLOW SPARE PARTS GUIDE

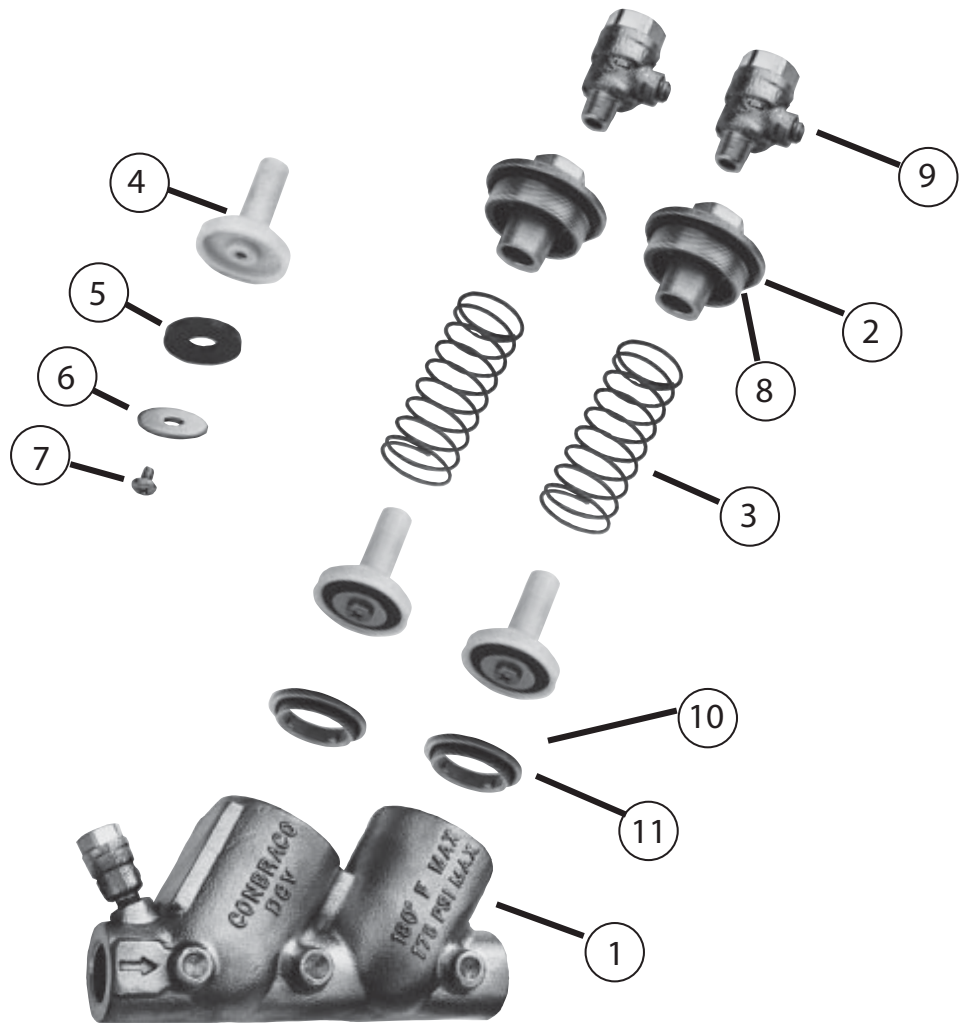


DCV
40-100 Series

CONBRACO 40-100 20MM - 50MM

| Size | 20mm - 25mm | 32mm - 50mm |
|--|-------------|-------------|
| Major Repair Kit 4 (2), 5 (2), 6 (2), 7 (2), 8 (2), 10 (2), 11 (2) | 40004A5 | 40007A5 |
| Check Valve Repair Kit 4, 5, 6, 7, 8, 10, 11 | 40004A2 | 40007A2 |
| Rubber Repair Kit 5 (2), 8 (2), 11 (2) | 40004A6 | 40007A6 |
| Seat Repair Kit 10 (2), 11 (2) | 40004A8 | 40007A8 |

| | |
|----|---------------|
| 1 | Body |
| 2 | Cap |
| 3 | Spring |
| 4 | Poppet |
| 5 | Seat Disc |
| 6 | Seat Retainer |
| 7 | Screw |
| 8 | Cap O-Ring |
| 9 | Test Cock |
| 10 | Check Seat |
| 11 | Check O-Ring |



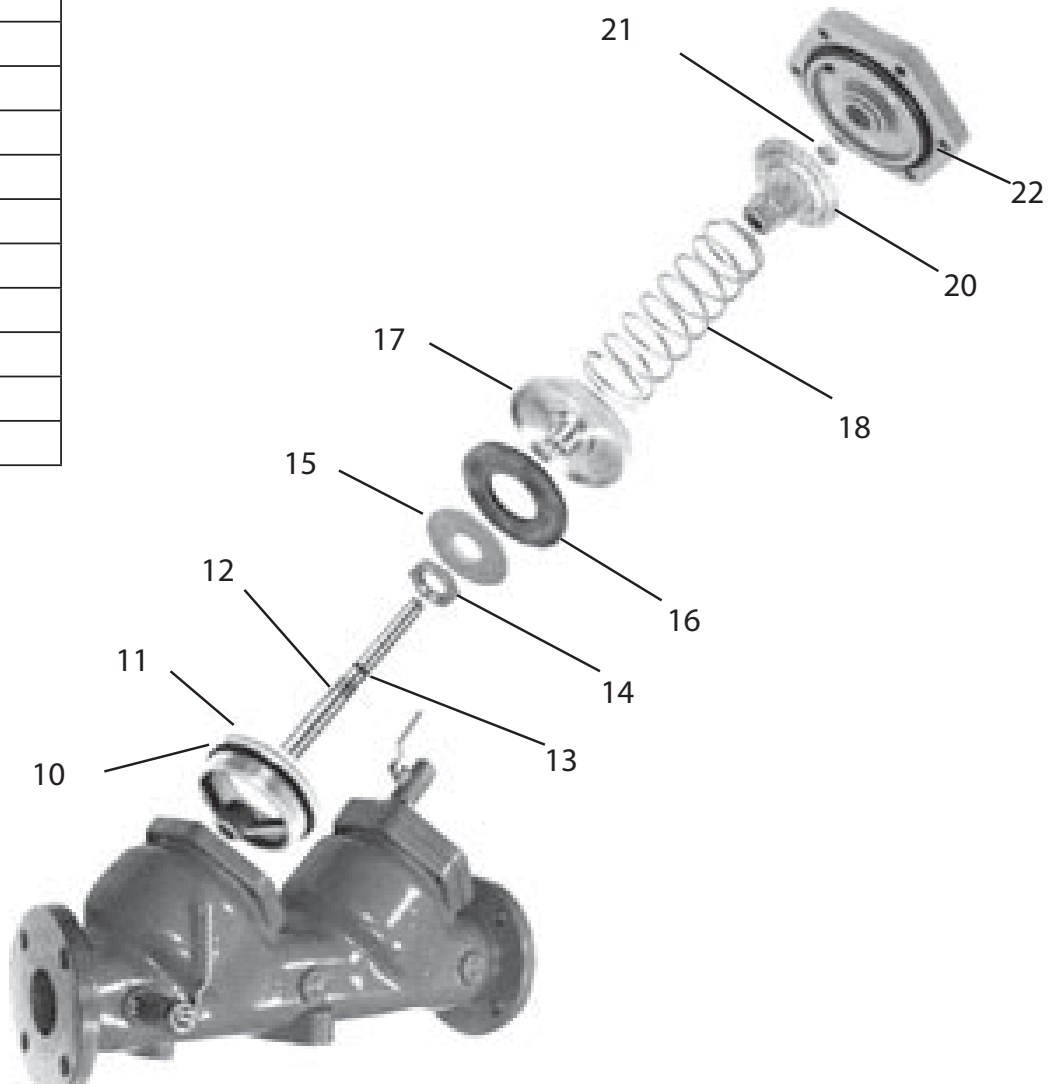


DCV
40-100 Series

CONBRACO 40-100 65MM - 250MM

| Size | 65mm - 80mm | 100mm | 150mm | 200mm | 250mm |
|---|-------------|---------|---------|---------|---------|
| Check Valve Repair Kit 12, 13, 14, 15, 16, 17, 18, 20, 21, 22 | 4000902 | 4000A02 | 4000C02 | 4000E02 | 4000G02 |
| Seat Repair Kit (10, 11, 22) | 4000903 | 4000A03 | 4000C03 | 4000E03 | 4000G03 |
| Rubber Repair Kit 2 of each (10, 13, 16, 22) | 4000904 | 4000A04 | 4000C04 | 4000E04 | 4000G04 |

| | |
|----|------------------|
| 10 | C.V Seat O-ring |
| 11 | C.V. Seat |
| 12 | C.V. Stem |
| 13 | C.V Stem O-ring |
| 14 | Retainer Nut |
| 15 | Retainer Washer |
| 16 | C.V. Seat Disc |
| 17 | Seat Disc Holder |
| 18 | 1st Check Spring |
| 19 | 2nd Check Spring |
| 20 | Spring Retainer |
| 21 | Jam Nut |
| 22 | Cap O-Ring |



BACKFLOW SPARE PARTS GUIDE

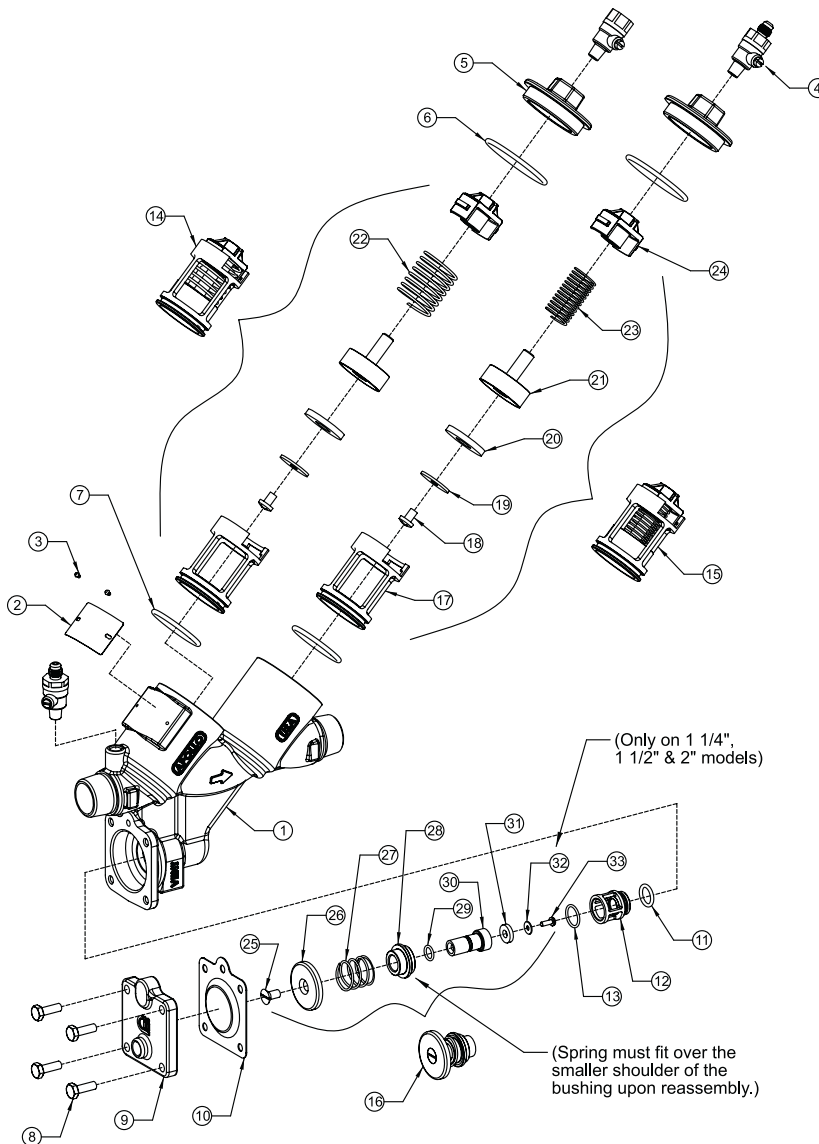


RPZ

4A-200 Series

APOLLO 4A-200 15MM - 50MM

| Size | 15mm | 20mm | 25mm | 32-40mm | 50mm |
|--|---------|---------|---------|---------|---------|
| Check Rubber Repair Kit (x1) 6, 7, 20 | 4A00301 | 4A00401 | 4A00501 | 4A00701 | 4A00801 |
| 1st Check Complete Kit 6, 7, 14 | 4A00303 | 4A00403 | 4A00503 | 4A00703 | 4A00803 |
| 2nd Check Complete Kit 6, 7, 15 | 4A00302 | 4A00402 | 4A00502 | 4A00702 | 4A00802 |
| Relief Rubber Repair Kit 10, 11, 13, 29, 31 | 4A00504 | 4A00504 | 4A00504 | 4A00704 | 4A00804 |
| Relief Valve Complete Kit 10, 11, 12, 13, 16 | 4A00505 | 4A00505 | 4A00505 | 4A00705 | 4A00805 |
| Rubber Repair Kit 6 (2), 7 (2), 10, 11, 13, 20 (2), 29, 31 | 4A00309 | 4A00409 | 4A00509 | 4A00709 | 4A00809 |
| Major Repair Kit 6 (2), 7 (2), 10, 11, 12, 13, 14, 15, 16 | 4A00310 | 4A00410 | 4A00510 | 4A00710 | 4A00810 |



| | |
|----|-----------------------------|
| 1 | Body |
| 2 | Label Plate |
| 3 | Label Plate Tacks |
| 4 | Test Cock |
| 5 | Cap |
| 6 | Cap O-Ring |
| 7 | Check Module O-Ring |
| 8 | RV Cover Bolts |
| 9 | RV Cover |
| 10 | RV Diaphragm |
| 11 | RV Seat O-Ring |
| 12 | RV Seat |
| 13 | RV Bushing Face O-Ring |
| 14 | 1st Chk Sub Assembly |
| 15 | 2nd Chk Sub Assembly |
| 16 | RV Sub Assembly |
| 17 | Check Seat |
| 18 | Screw |
| 19 | Disc Retaining Washer |
| 20 | Seat Disc |
| 21 | Poppet |
| 22 | Spring 1st Check |
| 23 | Spring 2nd Check |
| 24 | Spring Retainer |
| 25 | RV Diaph. Plate Screw |
| 26 | RV Diaphragm Plate |
| 27 | RV Spring |
| 28 | RV Bushing (Standard) |
| 29 | RV Stem O-Ring |
| 30 | RV Stem |
| 31 | RV Seat Disc |
| 32 | RV Seat Disc Washer |
| 33 | RV Seat Disc Screw |

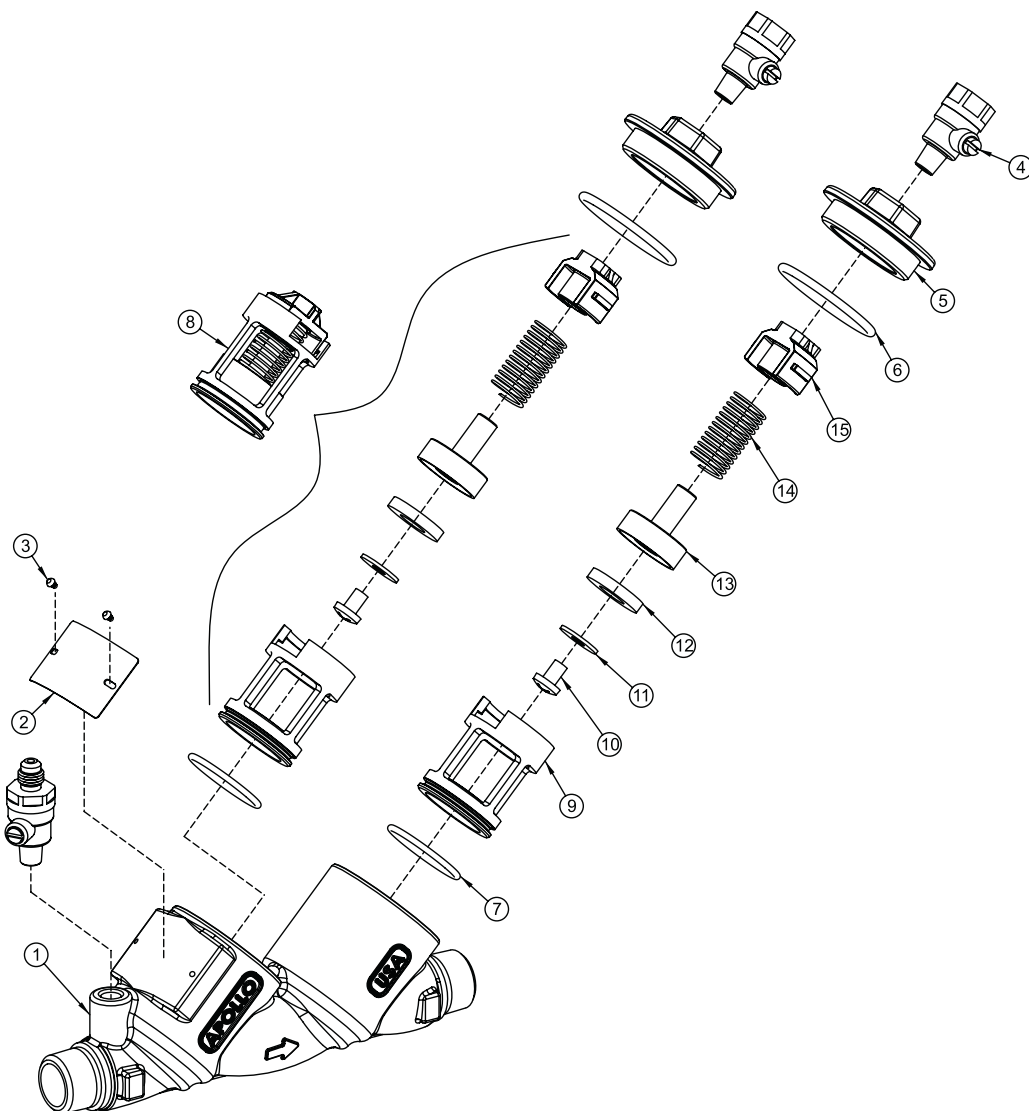


DCV

4A-100 Series

APOLLO 4A-100 20MM - 50MM

| Size | 20mm | 25mm | 32-40mm | 50mm |
|---|---------|---------|---------|---------|
| Check Rubber Repair Kit (x1) 6, 7, 11 | 4A00401 | 4A00501 | 4A00701 | 4A00801 |
| Check Module Repair Kit 6, 7, 8 | 4A00402 | 4A00502 | 4A00702 | 4A00802 |
| Major Repair Kit 6 (2), 7 (2), 8 (2) | 4A00408 | 4A00508 | 4A00708 | 4A00808 |



| | |
|----|---------------------------|
| 1 | Body |
| 2 | Label Plate |
| 3 | Label Plate Tacks |
| 4 | Test Cock M x F |
| 5 | Cap |
| 6 | Cap O-Ring |
| 7 | Check Module O-Ring |
| 8 | Check Sub Assembly |
| 9 | Check Seat |
| 10 | Screw |
| 11 | Disc Retaining Washer |
| 12 | Seat Disc |
| 13 | Poppet |
| 14 | Spring |
| 15 | Spring Retainer |

BACKFLOW SPARE PARTS GUIDE



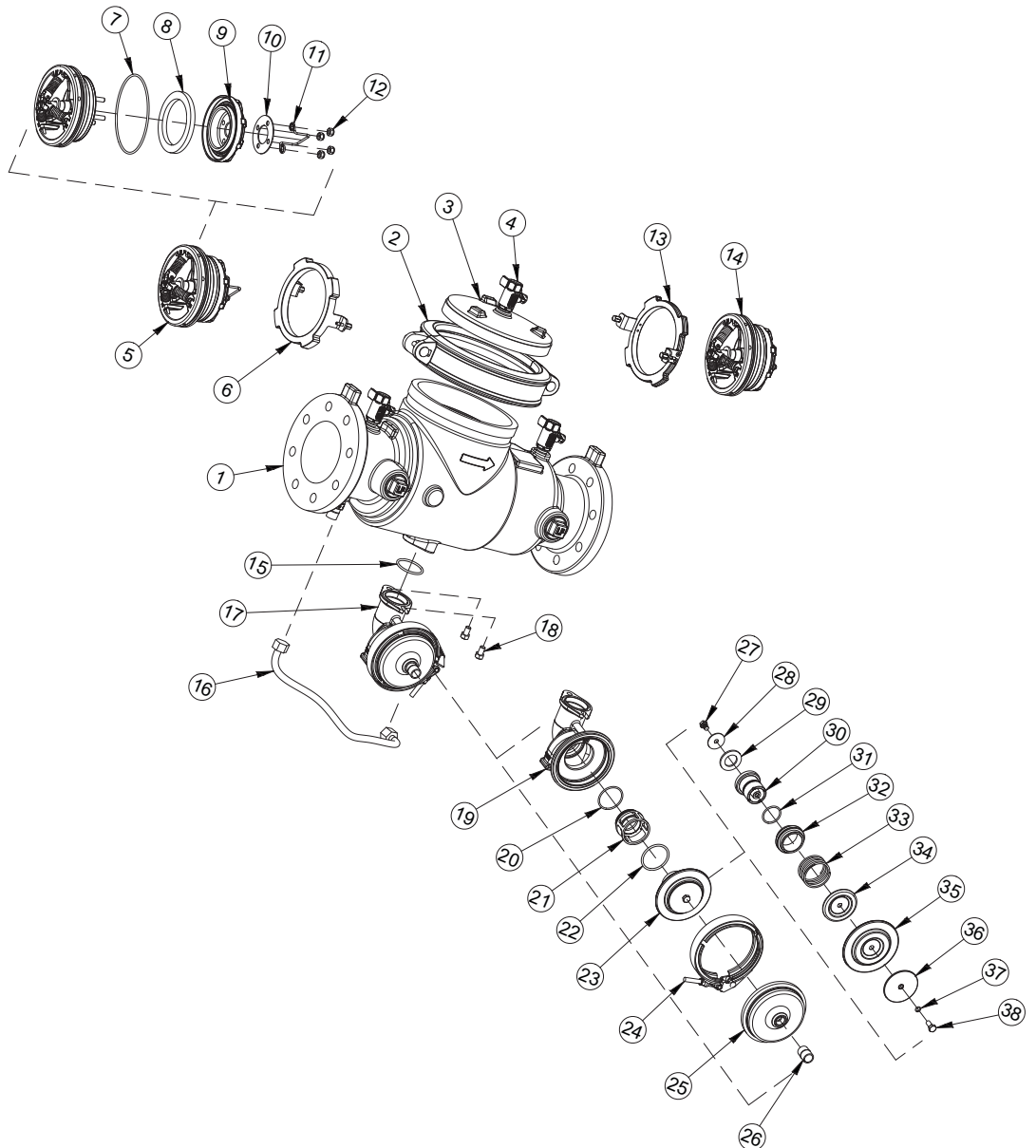
RPZ

4A-200 Series

APOLLO 4AE-200 65MM - 150MM

| Size | 65 - 80mm | 100mm | 150mm |
|--|-----------|---------|---------|
| RPZ / DCV Check Rubber Repair Kit (single) 7, 8, 15 | 4A00001 | 4A00A01 | 4A00C01 |
| RPZ 1st Check Module 5 | 4A00003 | 4A00A03 | 4A00C03 |
| RPZ / DCV 2nd Check Module 14 | 4A00002 | 4A00A02 | 4A00C02 |
| RPZ Relief Valve Rubber Kit 15, 20, 22, 29, 31, 35, 37 | 4A00C04 | 4A00C04 | 4A00C04 |
| RPZ Relief Valve Complete Kit 15, 20, 21, 22, 23 | 4A00C05 | 4A00C05 | 4A00C05 |

| | |
|----|-------------------------|
| 1 | Valve Body |
| 2 | Coupling |
| 3 | Cover |
| 4 | Test Cock, FxF |
| 5 | RP First Check Module |
| 6 | 1st Check Retainer |
| 7 | Check Seat O-ring |
| 8 | Seat Disc |
| 9 | Disc Retainer |
| 10 | Washer |
| 11 | Handle (1st Chk Only) |
| 12 | Locknut |
| 13 | 2nd Check Retainer |
| 14 | Second Check Module |
| 15 | O-ring, RV Port |
| 16 | Sensing Hose |
| 17 | Relief Valve Sub-Assy |
| 18 | Screw, 3/8-16 x .63" Lg |
| 19 | RV Body |
| 20 | Seat O-ring |
| 21 | Seat Cage |
| 22 | Bushing O-ring |
| 23 | RV Module |
| 24 | RV Clamp |
| 25 | RV Cover |
| 26 | Nipple, 1/2" Close |
| 27 | Screw, 5/16-18 x .50 |
| 28 | RV Washer |
| 29 | RV Seat Disc |
| 30 | RV Stem |
| 31 | RV Stem O-ring |
| 32 | RV Bushing |
| 33 | RV Spring |
| 34 | Diaphragm Washer |
| 35 | Diaphragm |
| 36 | Diaphragm Plate |
| 37 | Dia. Plate O-ring |
| 38 | Screw, 5/16-18 x .75 |





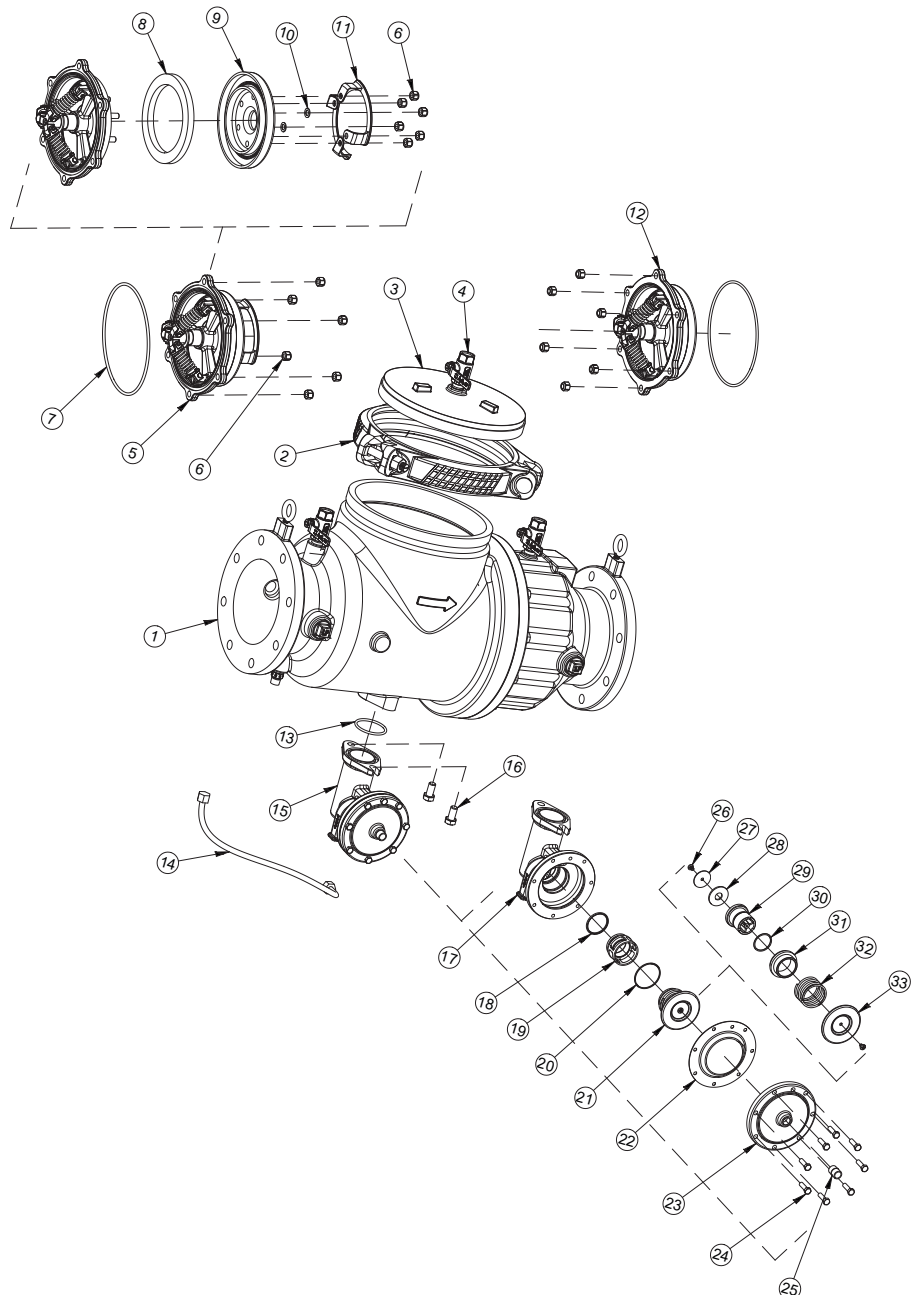
RPZ

4A-200 Series

APOLLO 4AE-200 RPZ 200MM - 250MM

| Size | 200mm | 250mm |
|---|---------|---------|
| RPZ / DCV Check Rubber Repair Kit (single) 7, 8, 13 | 4A00E01 | 4A00H01 |
| RPZ 1st Check Module 5, 7 | 4A00E03 | 4A00H03 |
| RPZ / DCV 2nd Check Module 12, 7 | 4A00E02 | 4A00H02 |
| RPZ Relief Valve Rubber Kit 13, 18, 20, 22, 28, 30 | 4A00E04 | 4A00H04 |
| RPZ Relief Valve Complete Kit 13, 18, 19, 20, 21, 22, | 4A00E05 | 4A00H05 |

| | |
|----|-----------------------|
| 1 | Valve Body |
| 2 | Coupling |
| 3 | Cover |
| 4 | Test Cock, FxF |
| 5 | RP First Check Module |
| 6 | Locknut, 1/2-13 |
| 7 | Check Seat O-ring |
| 8 | Seat Disc |
| 9 | Disc Retainer |
| 10 | Washer |
| 11 | Handle (1st Chk Only) |
| 12 | Second Check Module |
| 13 | O-ring, RV Port |
| 14 | Sensing Hose |
| 15 | Relief Valve Sub-Assy |
| 16 | Screw, 5/8-11 x 1.25" |
| 17 | RV Body |
| 18 | Seat O-ring |
| 19 | Seat Cage |
| 20 | Bushing O-ring |
| 21 | RV Module |
| 22 | Diaphragm |
| 23 | RV Cover |
| 24 | Screw, 3/8-16 x 1.25 |
| 25 | Nipple, 1/2" Close |
| 26 | Screw, 1/4-20 x .50 |
| 27 | RV Washer |
| 28 | RV Seat Disc |
| 29 | RV Stem |
| 30 | RV Stem O-ring |
| 31 | RV Bushing |
| 32 | RV Spring |
| 33 | Diaphragm Plate |



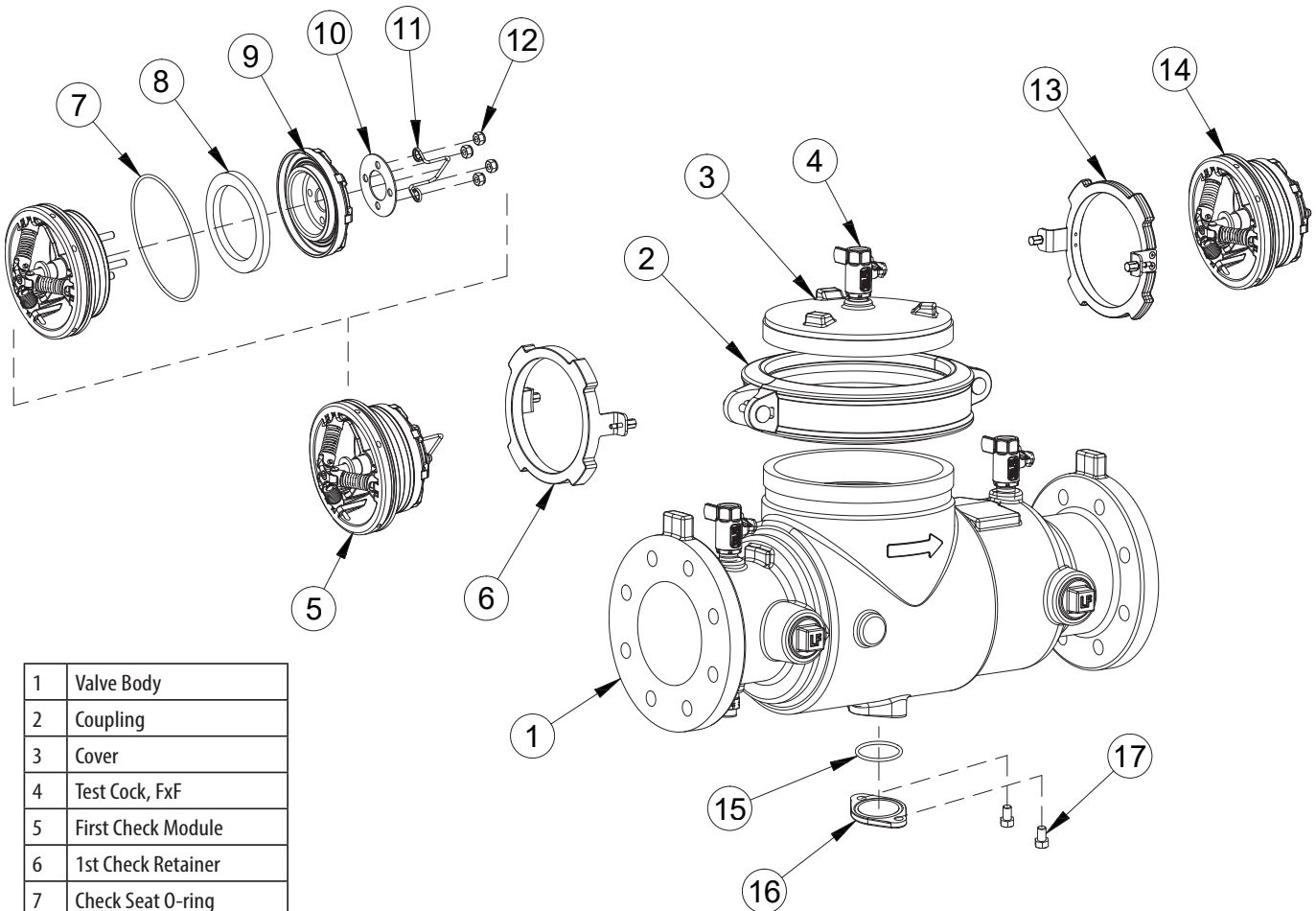
BACKFLOW SPARE PARTS GUIDE



DCV
4A-100 Series

APOLLO 4AE-100 65MM - 150MM

| Size | 65 - 80mm | 100mm | 150mm |
|---|-----------|---------|---------|
| RPZ / DCV Check Rubber Repair Kit (single) 7, 8, 15 | 4A00001 | 4A00A01 | 4A00C01 |
| DCV 1st Check Module 5 | 4A00000 | 4A00A00 | 4A00C00 |
| RPZ / DCV 2nd Check Module 14 | 4A00002 | 4A00A02 | 4A00C02 |



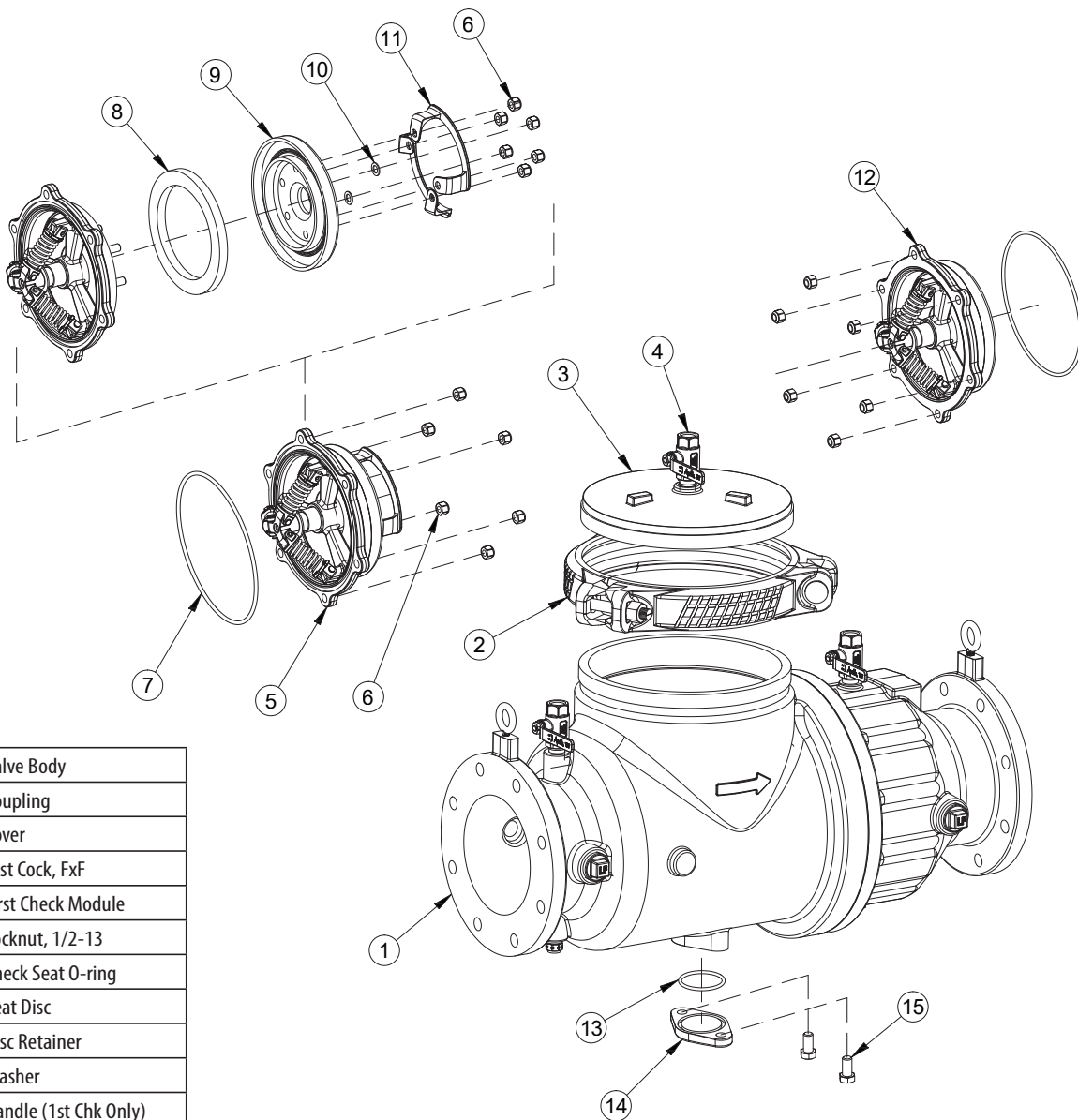
| | |
|----|-----------------------|
| 1 | Valve Body |
| 2 | Coupling |
| 3 | Cover |
| 4 | Test Cock, FxF |
| 5 | First Check Module |
| 6 | 1st Check Retainer |
| 7 | Check Seat O-ring |
| 8 | Seat Disc |
| 9 | Disc Retainer |
| 10 | Washer |
| 11 | Handle (1st Chk Only) |
| 12 | Locknut |
| 13 | 2nd Check Retainer |
| 14 | Second Check Module |
| 15 | O-ring, RV Port |
| 16 | RV Port Cover |
| 17 | Screw, 3/8-16 x .63" |



DCV
4A-100 Series

APOLLO 4AE-100 200MM - 250MM

| Size | 200mm | 250mm |
|---|---------|---------|
| RPZ / DCV Check Rubber Repair Kit (single) 7, 8, 13 | 4A00E01 | 4A00H01 |
| DCV 1st Check Module 5, 7 | 4A00E00 | 4A00H00 |
| RPZ / DCV 2nd Check Module 12, 7 | 4A00E02 | 4A00H02 |



| | |
|----|-----------------------|
| 1 | Valve Body |
| 2 | Coupling |
| 3 | Cover |
| 4 | Test Cock, FxF |
| 5 | First Check Module |
| 6 | Locknut, 1/2-13 |
| 7 | Check Seat O-ring |
| 8 | Seat Disc |
| 9 | Disc Retainer |
| 10 | Washer |
| 11 | Handle (1st Chk Only) |
| 12 | Second Check Module |
| 13 | O-ring, RV Port |
| 14 | RV Port Cover |
| 15 | Screw, 5/8-11 x 1.25" |

WILKINS

RPZ

375 Series

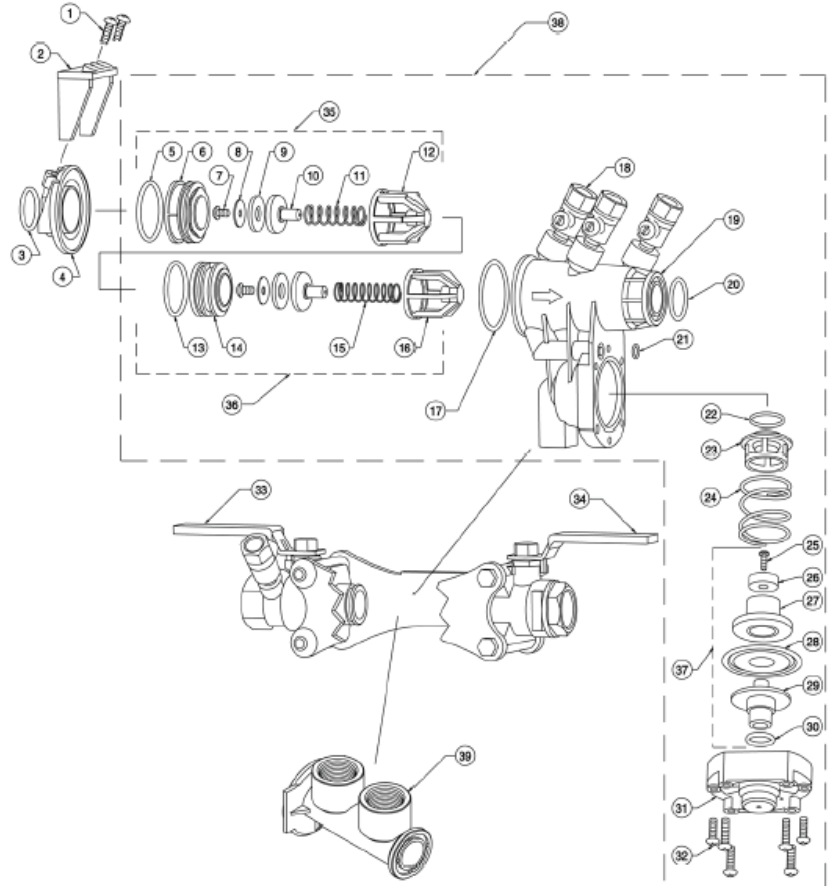
WILKINS 375 20MM - 50MM

| Size | 20mm | 25mm | 32mm - 50mm |
|--|-----------|----------|-------------|
| Complete Repair Kit 1st & 2nd Checks, Relief Valve Stem Assem, Sleeve O-ring, Housing O-rings, RV Cover O-ring, Relief Valve Spring | RK34-375 | RK1-375 | RK114-375 |
| Rubber Repair Kit 1st & 2nd Check Seat O-ring, Check Seal Ring, Sleeve O-ring, Housing Inlet O-rings, RV Cover O-ring, RV Seat O-ring, Relief Valve Seal Ring, Diaphragm, RV Stem O-ring | RK34-375R | RK1-375R | RK114-375R |

WILKINS 375 65MM - 150MM

| Size | 65mm - 80mm | 100mm | 150mm |
|--|-------------|------------|------------|
| Rubber Repair Kit Seal Ring, Cover O-ring | RK212-350 | RK4-350 | RK6-350 |
| Relief Valve Rubber Kit Diaphragm, Spring Retainer O-ring, Stem Guide O-ring, Stem O-ring, Seal Ring, Cover O-ring, Large & Small O-ring | RK212-375R | RK212-375R | RK212-375R |

| | | | |
|----|---------------------|----|-------------------------|
| 1 | HOUSING | 22 | SEAL RETAINER |
| 2 | INTEGRAL INLET BV | 23 | BOLT |
| 3 | O-RING | 24 | O-RING |
| 4 | SLEEVE | 25 | NUT |
| 5 | O-RING | 26 | O-RING |
| 6 | BOLT | 27 | BODY, RV |
| 7 | TEST COCKS | 28 | SEAT, RV |
| 8 | BOLT | 29 | SPRING GUIDE |
| 9 | INTEGRAL OUTLET BV | 30 | SPRING, RV |
| 10 | SEAT, #1 | 31 | DIAPHRAGM |
| 11 | SPRING, #1 | 32 | PLUNGER, RV |
| 12 | SPRING RETAINER, #1 | 33 | O-RING |
| 13 | BOLT | 34 | O-RING |
| 14 | SEAL RETAINER | 35 | COVER |
| 15 | SEAL WASHER | 36 | BOLT |
| 16 | POPPET | 37 | SPACER |
| 17 | O-RING | 38 | #1 CHECK ASSY |
| 18 | SEAT, #2 | 39 | #2 CHECK ASSY |
| 19 | SPRING, #2 | 40 | RELIEF VALVE STEM ASSY |
| 20 | SPRING RETAINER, #2 | 41 | VESSEL W/CHECKS & RV |
| 21 | SEAL WASHER | 42 | HOUSING, BLOW OUT/FLUSH |



20 - 50mm exploded diagram shown.
For other sizes, please contact us.

WILKINS

RPZ

975 Series

WILKINS 975 15MM - 50MM

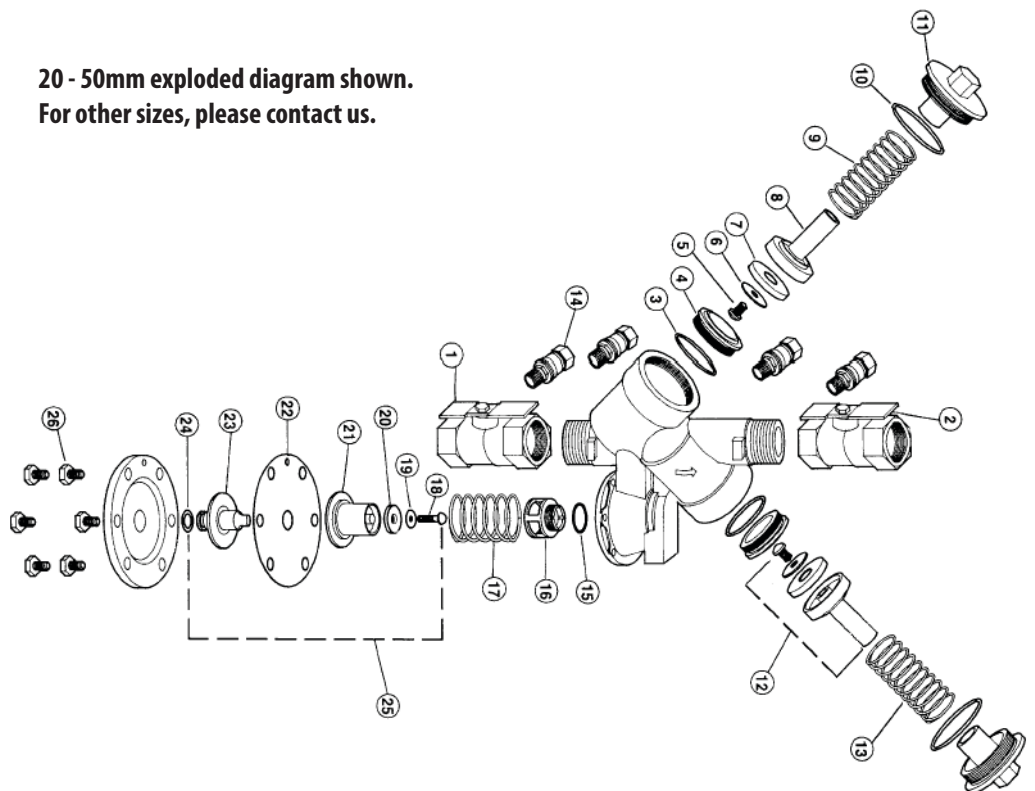
| Size | 15mm | 20mm - 25mm | 32mm - 50mm |
|---|--------------|--------------|---------------|
| Complete Repair Kit 1st & 2nd Check Assembly, Housing Inlet O-ring, Housing Outlet O-ring | RK14-975XL | RK34-975XL | RK114-975XL |
| Rubber Repair Kit 1st & 2nd Check O-ring, Housing Inlet O-ring, Housing Outlet O-ring, Poppet | RK14-975XLR | RK34-975XLR | RK114-975XLR |
| Seat Repair Kit 1st & 2nd Check Seats, Check Seat O-rings | RK14-975XLSK | RK34-975XLSK | RK114-975XLSK |

WILKINS 975 65MM - 100MM

| Size | 65mm - 80mm | 100mm |
|--|-------------|------------|
| Rubber Repair Kit Seal Ring, Cover O-ring | RK212-950 | RK4-950 |
| Relief Valve Rubber Kit Diaphragm, Spring Retainer O-ring, Stem Guide O-ring, Stem O-ring, Seal Ring, Cover O-ring, Large & Small O-ring | RK212-975R | RK212-975R |

| | |
|----|---------------------------------|
| 1 | BALL VALVE, TAPPED |
| 2 | BALL VALVE |
| 3 | O-RING, CHECK SEAT |
| 4 | CHECK SEAT |
| 5 | RETAINING BOLT |
| 6 | SEAL RING RETAINER |
| 7 | SEAL RING |
| 8 | POPPET |
| 9 | NO. 1 CHECK SPRING |
| 10 | O-RING, COVER |
| 11 | CHECK COVER |
| 12 | POPPEY ASSY. |
| 13 | NO. 2 CHECK SPRING |
| 14 | TEST COCK |
| 15 | O-RING, RELIEF VALVE SEAT |
| 16 | RELIEF VALVE SEAT |
| 17 | RELIEF VALVE SPRING |
| 18 | RELIEF VALVE RETAINING BOLT |
| 19 | RELIEF VALVE SEAL RING RETAINER |
| 20 | RELIEF VALVE SEAL RING |
| 21 | RELIEF VALVE LOWER PLUNGER |
| 22 | RELIEF VALVE DIAPHRAGM |
| 23 | RELIEF VALVE UPPER PLUNGER |
| 24 | O-RING, RELIEF VALVE STEM |
| 25 | RELIEF VALVE STEM ASSY. |
| 26 | RELIEF VALVE COVER BOLT |

20 - 50mm exploded diagram shown.
For other sizes, please contact us.



WILKINS

DCV

350 Series

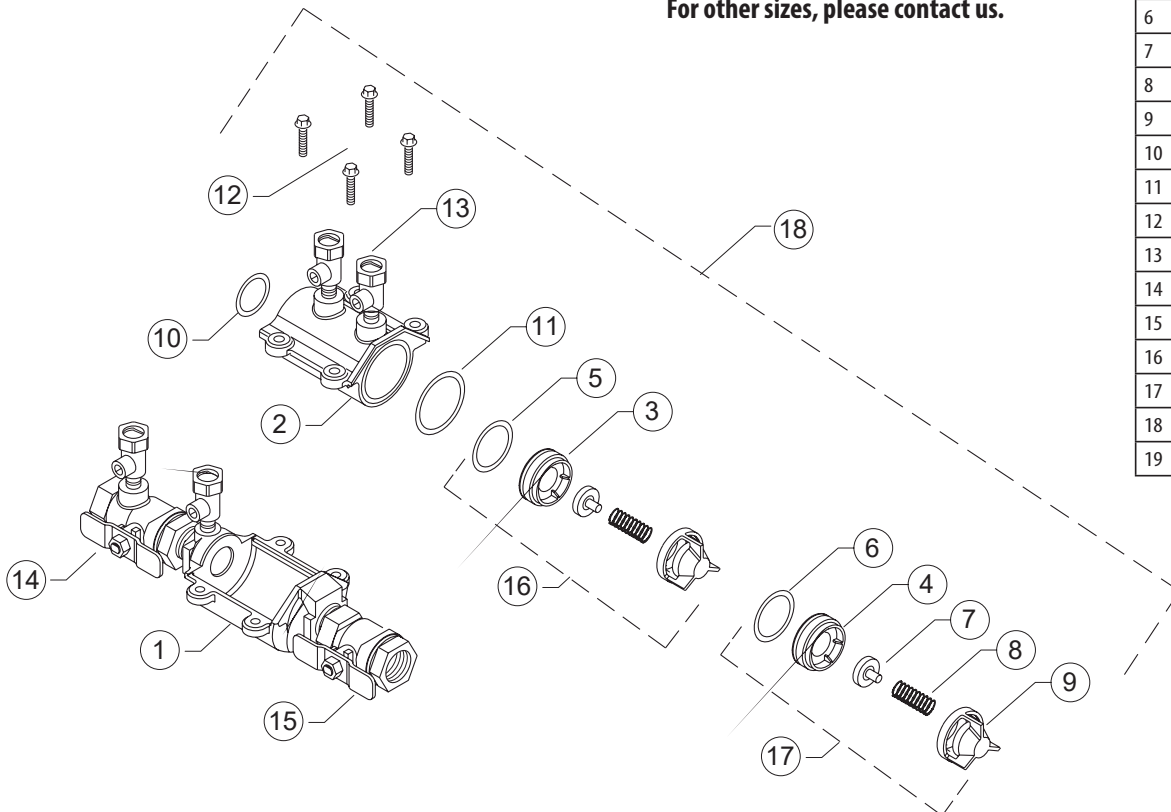
WILKINS 350 20MM - 50MM

| Size | 20mm | 25mm | 32mm - 50mm |
|---|-----------|----------|-------------|
| Complete Repair Kit 1st & 2nd Check Assembly, Housing Inlet O-ring, Housing Outlet O-ring | RK34-350 | RK1-350 | RK114-350 |
| Rubber Repair Kit 1st & 2nd Check O-ring, Housing Inlet O-ring, Housing Outlet O-ring, Poppet | RK34-350R | RK1-350R | RK114-350R |
| Vessel Repair Kit Housing Assembly | RK34-350V | RK1-350V | RK114-350V |

WILKINS 350 65MM - 150MM

| Size | 65mm - 80mm | 100mm | 150mm |
|--|-------------|---------|---------|
| Rubber Repair Kit 1st & 2nd Seal Ring, 1st & 2nd Check O-rings | RK212-350 | RK4-350 | RK6-350 |

20 - 25mm exploded diagram shown.
For other sizes, please contact us.



| | |
|----|------------------------|
| 1 | BODY |
| 2 | HOUSING |
| 3 | #1 SEAT |
| 4 | #2 SEAT |
| 5 | O-RING #1 |
| 6 | O-RING #2 |
| 7 | POPPET |
| 8 | SPRING |
| 9 | SLEEVE |
| 10 | O-RING, HOUSING INLET |
| 11 | O-RING, HOUSING OUTLET |
| 12 | SCREWS |
| 13 | TEST COCKS |
| 14 | BALL VALVE, INLET |
| 15 | BALL VALVE, OUTLET |
| 16 | CHECK ASSEMBLY #1 |
| 17 | CHECK ASSEMBLY #2 |
| 18 | HOUSING ASSEMBLY |
| 19 | TEST COCK CAP PLUG |

WILKINS

DCV

950 Series

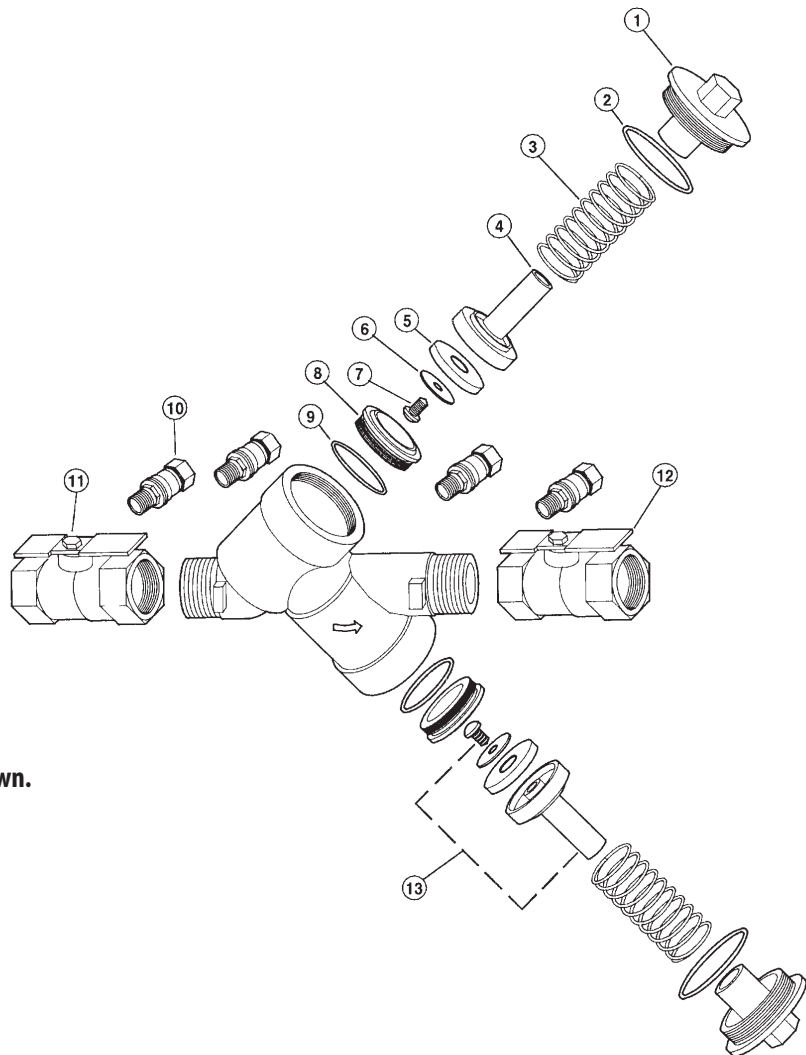
WILKINS 950 20MM - 50MM

| Size | 20mm - 25mm | 32mm - 50mm |
|---|--------------|---------------|
| Complete Repair Kit 1st & 2nd Check Assembly, Housing Inlet O-ring, Housing Outlet O-ring | RK34-950XL | RK114-950XL |
| Rubber Repair Kit 1st & 2nd Check O-ring, Housing Inlet O-ring, Housing Outlet O-ring, Poppet | RK34-950XLR | RK114-950XLR |
| Seat Repair Kit 1st & 2nd Check Seats, Check Seat O-rings | RK34-975XLSK | RK114-975XLSK |

WILKINS 950 65MM - 100MM

| Size | 65mm - 80mm | 100mm |
|--|-------------|---------|
| Rubber Repair Kit 1st & 2nd Seal Ring, 1st & 2nd Check O-rings | RK212-950 | RK4-950 |

| | |
|----|--------------------|
| 1 | CHECK COVER |
| 2 | O-RING, COVER |
| 3 | CHECK SPRING |
| 4 | POPPET |
| 5 | SEAL RING |
| 6 | SEAL RING RETAINER |
| 7 | RETAINING BOLT |
| 8 | CHECK SEAT |
| 9 | O-RING, CHECK SEAT |
| 10 | TEST COCK |
| 11 | BALL VALVE |
| 12 | BALL VALVE |
| 13 | POPPET ASSEMBLY |



20 - 50mm exploded diagram shown.
For other sizes, please contact us.

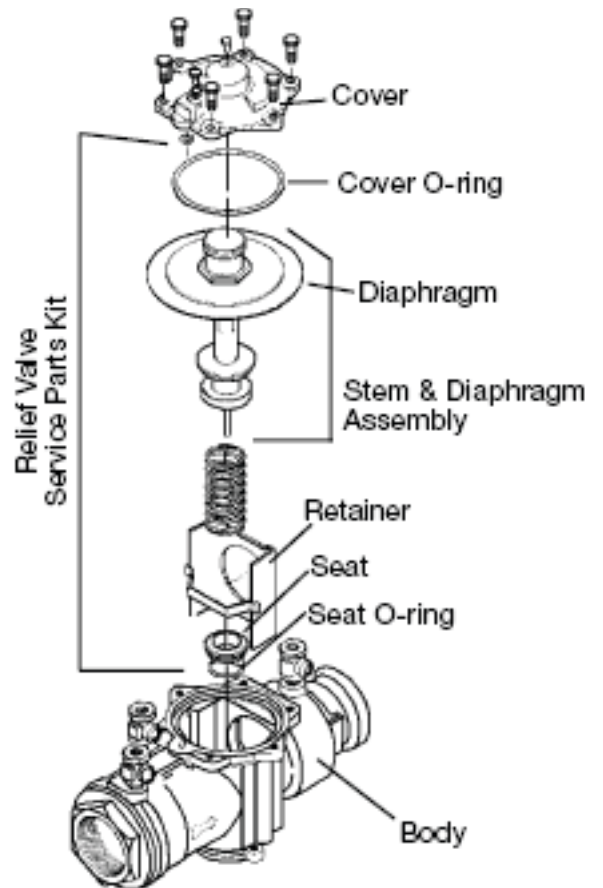
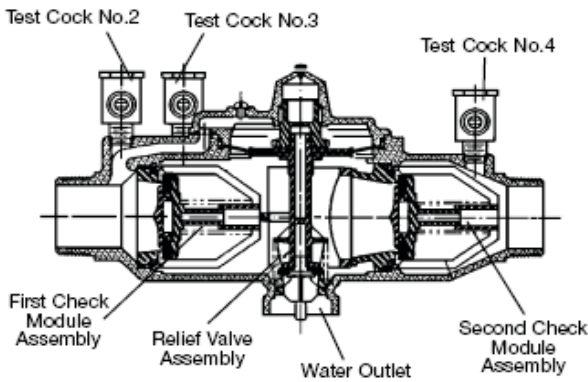
BACKFLOW SPARE PARTS GUIDE



RPZ
009 Series

WATTS 009 15MM - 80MM

| Size | 15mm | 20-25mm | 20mm M2 | 20mm M3 | 25mm M2 | 32-50mm | 32-50mm M1 | 32-40mm M2 | 50mm M2 | 65 - 80mm |
|-----------------------------------|--------|---------|------------|------------|------------|---------|---------------|---------------|------------|-----------|
| Total Rubber Kit | 887297 | 887182 | 886999 | 888526 | 887787 | 887185 | 887280 | 887309 | 887547 | 794056 |
| 1st Check Valve Repair Kit | 887291 | 887005 | 887000 | 888520 | 887789 | 887006 | 887270 | 887300 | 887540 | 794054 |
| 2nd Check Valve Repair Kit | 887292 | 887007 | 887001 | 888521 | 887790 | 887008 | 887271 | 887301 | 887541 | 794055 |
| Relief Valve Repair Kit | 887294 | 887015 | 887002 | 888524 | 887785 | 887016 | 887277 | 887307 | 887545 | 794052 |
| Relief Valve Rubber Kit | 887295 | 887181 | 886998 | 888523 | 887786 | 887184 | 887276 | 887306 | 887544 | 794053 |

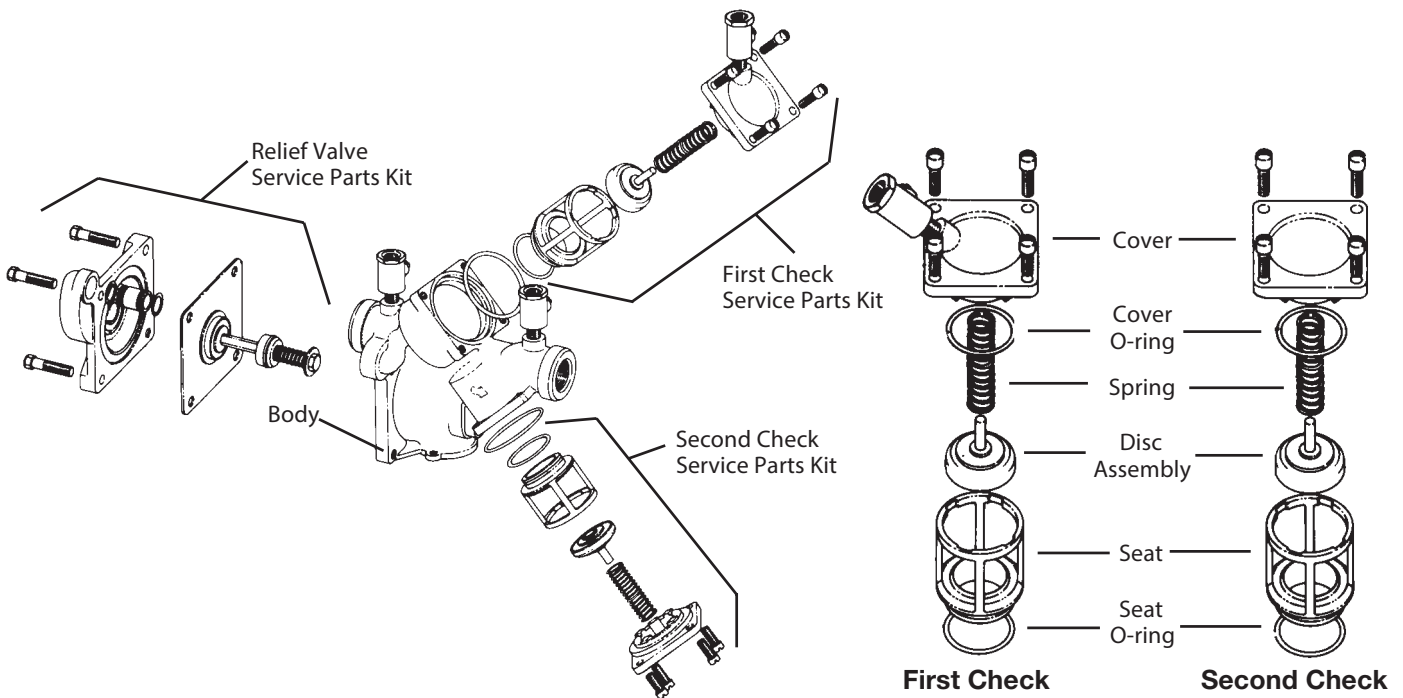




RPZ
909 Series

WATTS 909 20MM - 150MM

| Size | 20 - 25mm | 32 - 50mm | 65 - 80mm | 100mm |
|---------------------------------------|-----------|-----------|-----------|-------------------------|
| Total Rubber Kit | 794069 | 794070 | 794089 | 794090 |
| 1st Check Valve Repair Kit | 887120 | 794063 | 794096 | 794097 |
| 2nd Check Valve Repair Kit | 887121 | 794064 | 794101 | 794102 |
| Relief Valve Repair Kit | 794059 | 794060 | 794085 | 887267 (bronze body) |
| Relief Valve Rubber Repair Kit | 794061 | 794062 | 794081 | 794150 |



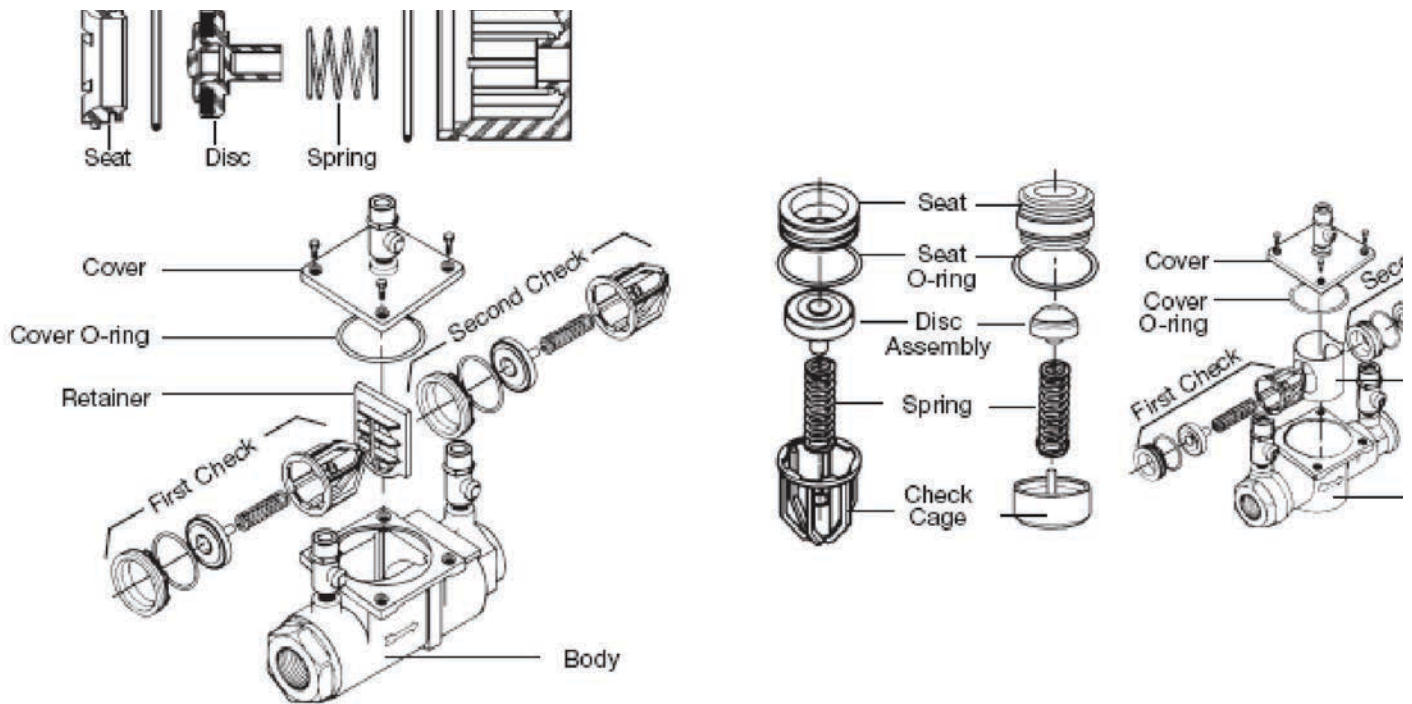
BACKFLOW SPARE PARTS GUIDE



DCV
007 Series

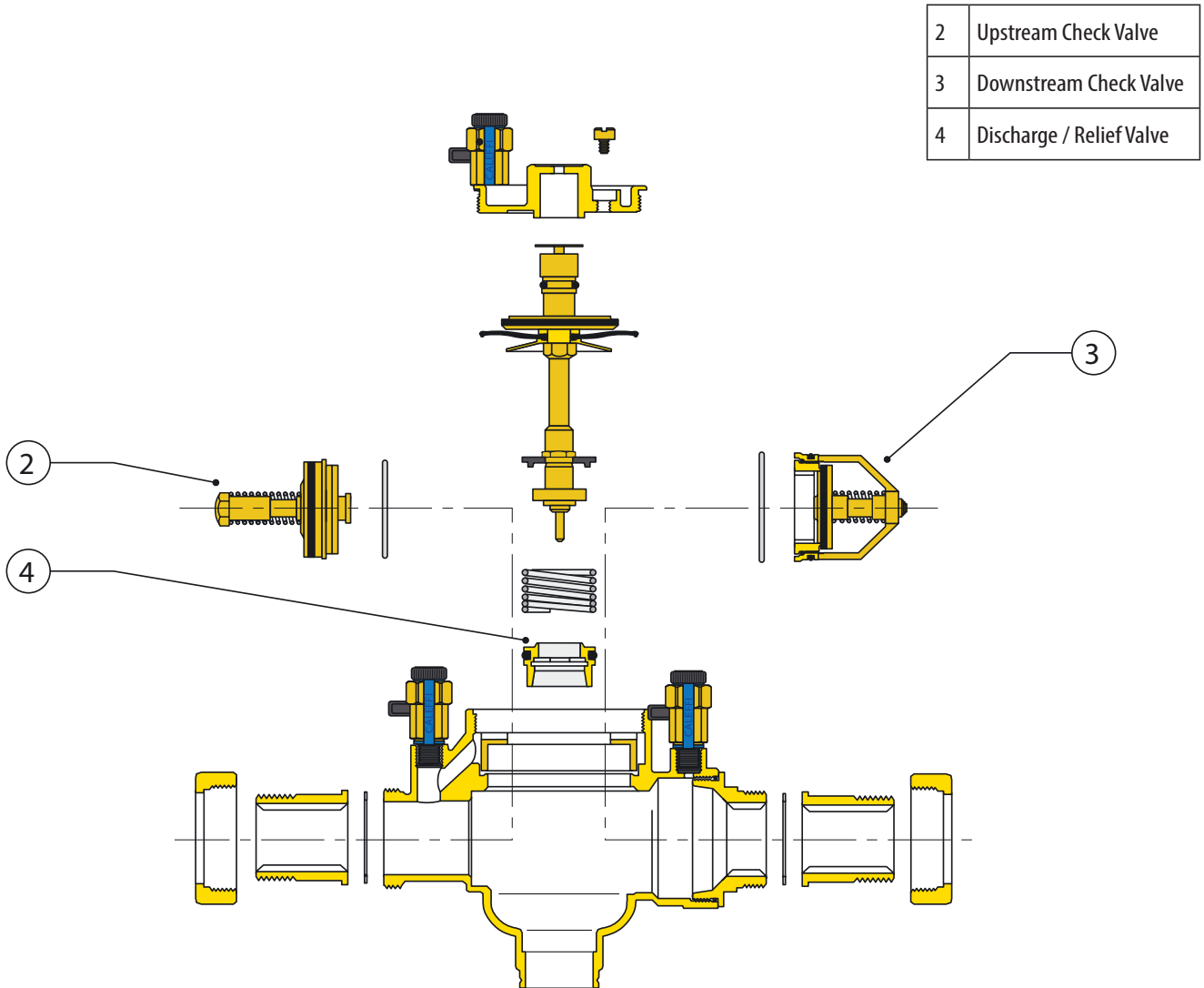
WATTS 007 15MM - 80MM

| Size | 15mm | 20-25mm | 20mm M2 | 20mm M3 | 20 - 25mm M1 | 40-50mm | 40-50mm M1 | 32-40mm M2 | 65 - 80mm |
|-----------------------------------|--------|---------|------------|------------|-----------------|---------|---------------|---------------|-----------|
| Total Rubber Kit | 887194 | 887040 | 887043 | 888552 | 887042 | 887041 | 887188 | 887721 | 887287 |
| 1st Check Valve Repair Kit | 887193 | 887023 | 887045 | 888550 | 887026 | 887025 | 887186 | 887719 | 887285 |
| 2nd Check Valve Repair Kit | 887193 | 887024 | 887046 | 888551 | 887026 | 887028 | 887187 | 887720 | 887286 |



CALEFFI 574 SERIES 15MM - 100MM

| Size | 15 - 20mm | 25 - 32mm | 40 - 50mm | 65mm | 80-100mm |
|------------------------------|-----------|-------------|-------------|--------|----------|
| 1st Check Complete Kit | 59469 | 59455 | 59459 | 59627 | 59631 |
| 2nd Check Complete Kit | 59470 | 59456 | 59460 | 59628 | 59632 |
| Rubber Service Kit | | 574RSK25/32 | 574RSK40/50 | | |
| Relief Valve Rubber | R57182 | R57182 | R57199 | R57199 | R57244 |
| Relief Valve Seat Repair Kit | 59472 | 59458 | 59462 | 59462 | 59630 |



BACKFLOW SPARE PARTS GUIDE

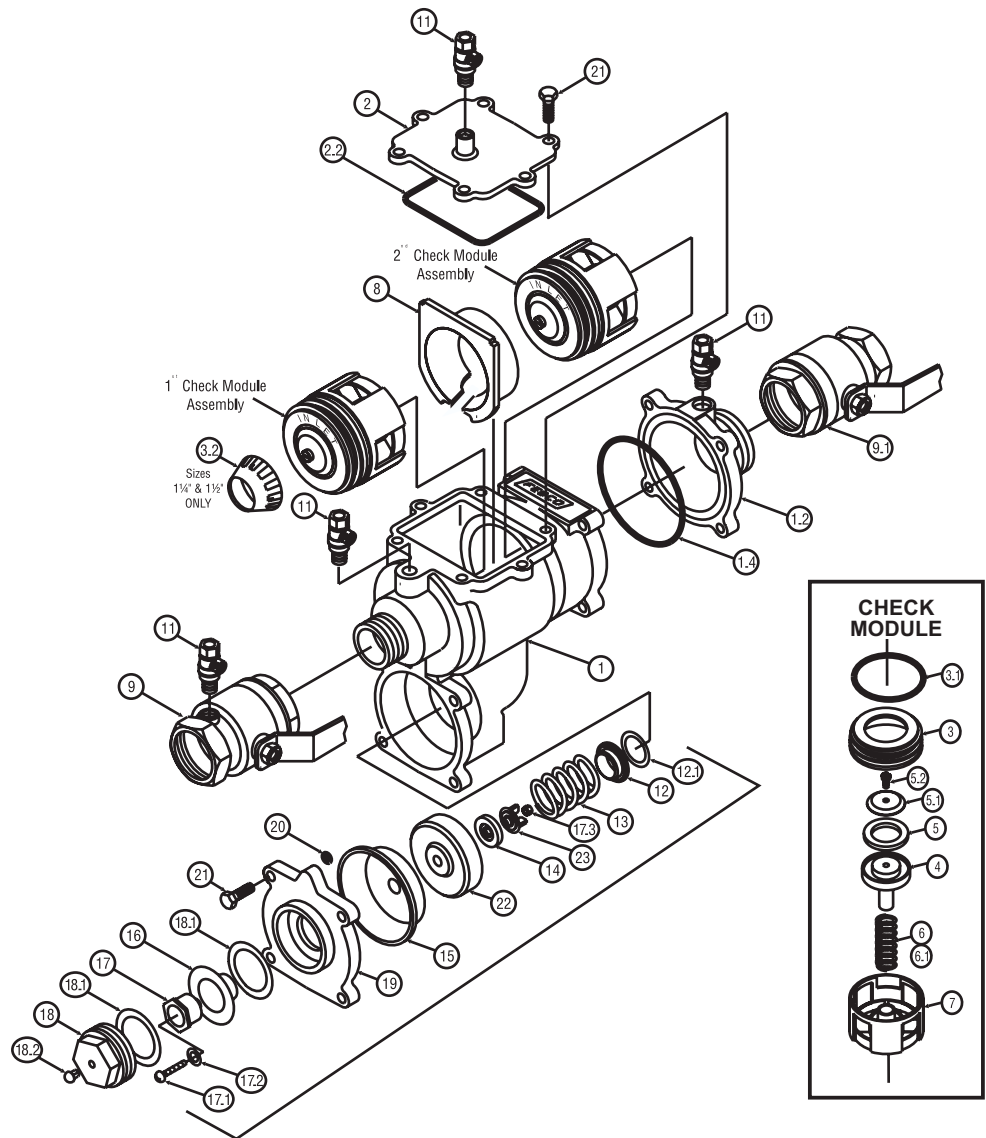


RPZ
860 Series

FEBCO 860 SERIES 15MM - 50MM

| Size | 15 - 20mm | 25mm | 32 - 50mm |
|--|-----------|--------|-----------|
| Check Rubbers Kit 2 seat O-rings, 2 seat discs, cover O-ring, tail O-ring | 905342 | 905343 | 905344 |
| Single Poppet Kit Poppet Assembly | 905339 | 905340 | 905341 |
| Relief Valve Rubber Kit 2 slip rings, outer diaphragm, diaphragm, seat disc, seat ring, gasket | 905345 | 905345 | 905346 |
| Relief Valve Assembly Cover & diaphragm assembly, spring, seat ring, gasket | 905353 | 905353 | 905354 |

| | |
|------|-------------------------|
| 1 | Body |
| 1.2 | Tailpiece |
| 1.4 | O-Ring |
| 2 | Cover |
| 2.2 | O-Ring |
| 3 | Seat |
| 3.1 | O-Ring |
| 4 | Poppet |
| 5 | Seat Disc |
| 5.1 | Disc Retainer |
| 5.2 | Round HD Screw Phillips |
| 6 | Spring |
| 6.1 | Spring |
| 7 | Guide |
| 8 | Retainer Spacer |
| 9.1 | Ball Valve |
| 11 | Test Cock |
| 12 | Seat Ring-RV |
| 12.1 | Gasket Ring-RV |
| 13 | Spring-RV |
| 14 | Seat Disc-RV |
| 15 | Diaphragm-RV |
| 16 | Outer Diaphragm-RV |
| 17 | Small Piston-RV |
| 17.1 | Round HD Screw Phillips |
| 17.2 | Washer |
| 17.3 | Hex Nut |
| 18 | Cylinder-RV |
| 18.1 | Slip Ring-Cylinder |
| 18.2 | Slide (Plug) |
| 19 | Cover-RV |
| 20 | O-Ring |
| 21 | Hex HD Capscrew |
| 22 | Large Piston-RV |
| 23 | Guide-RV |

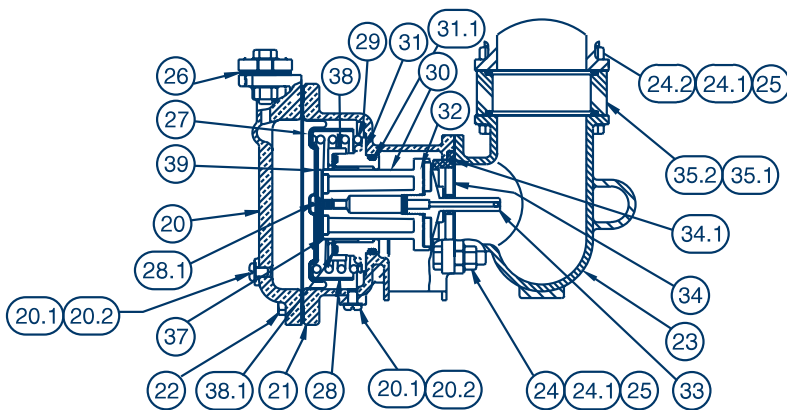
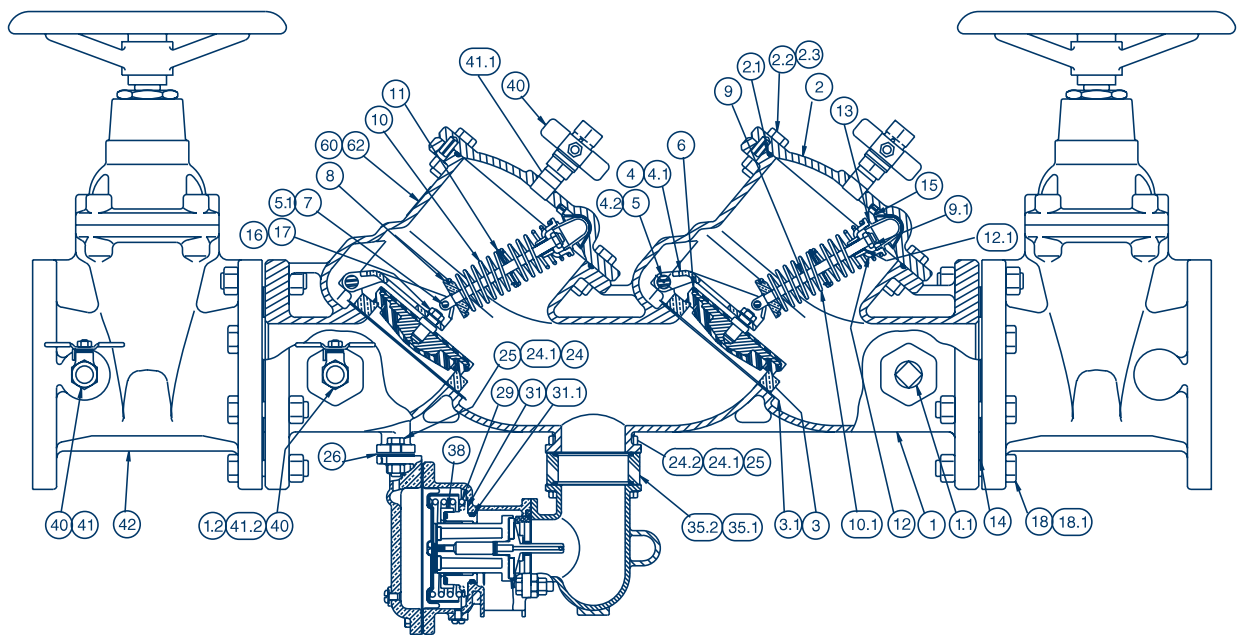




RPZ
860 Series

FEBCO 860 SERIES 65MM - 250MM

| Size | 65mm - 80mm | 100mm | 150mm | 200mm - 250mm |
|--|-------------|--------|--------|---------------|
| Complete Rubber Kit 6 o-rings, 2 jam nuts, 2 washers, outer/ inner diaphragm, rv seat disc, 2 check discs, 2 seat ring gaskets, sensing line gasket, 4 bulk head gaskets, 2 bearing sockets and rv extension | 905187 | 905188 | 905189 | 905190 |
| Relief Valve Kit Seat ring, 2 o-rings, outer/inner diaphragm, sensing line gasket, retainer, main guide, flow screw, slip ring, seat disc, aux guide, flow washer, stem and spring. | 905192 | 905192 | 905192 | 905192 |
| Relief Valve Rubber Kit Seat disc, 2 o-rings, outer/inner diaphragm, sensing line gasket | 905316 | 905316 | 905316 | 905316 |



BACKFLOW SPARE PARTS GUIDE

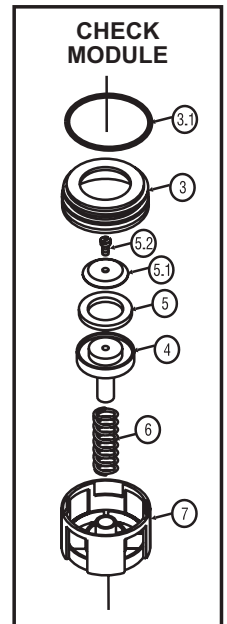
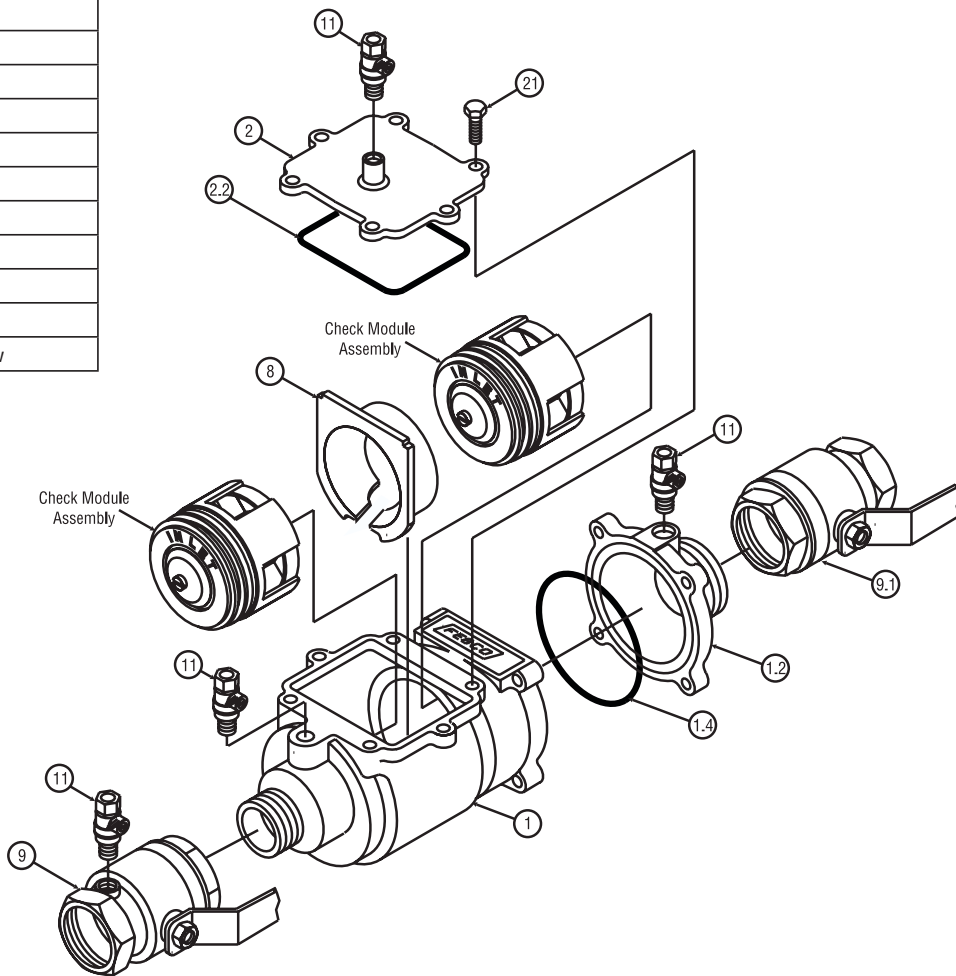


DCV
850 Series

FEBCO 850 SERIES 15MM - 50MM

| Size | 15 - 20mm | 25mm | 32 - 50mm |
|---|-----------|--------|-----------|
| Check Rubbers Kit 2 seat O-rings, 2 seat discs, cover O-ring, tail O-ring | 905342 | 905343 | 905344 |
| Check Kit Check Module Assembly | 905347 | 905349 | 905351 |
| Single Poppet Kit Poppet Assembly | 905339 | 905340 | 905341 |

| | |
|-----|-----------------|
| 1 | Body |
| 1.2 | Tailpiece |
| 1.4 | O-Ring |
| 2 | Cover |
| 2.2 | O-Ring |
| 3 | Seat |
| 3.1 | O-Ring |
| 4 | Poppet |
| 5 | Seat Disc |
| 5.1 | Disc Retainer |
| 5.2 | Round HD Screw |
| 6 | Spring |
| 7 | Guide |
| 8 | Retainer Spacer |
| 9.1 | Ball Valve |
| 11 | Test Cock |
| 21 | Hex HD Capscrew |

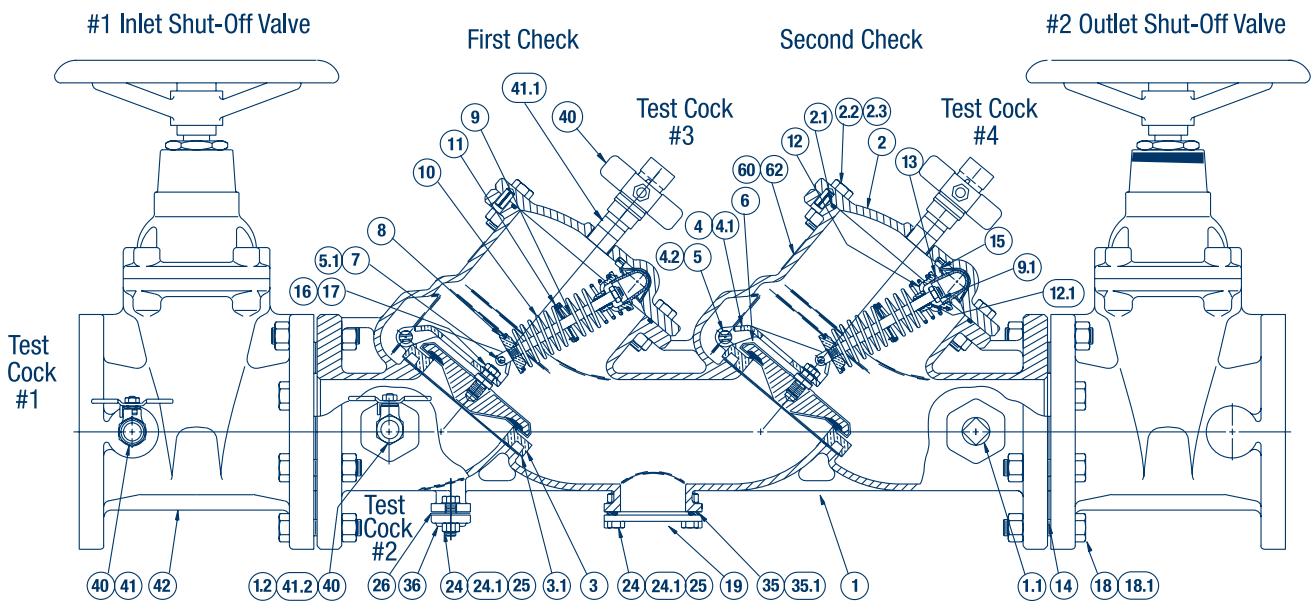




DCV
850 Series

FEBCO 850 SERIES 65MM - 250MM

| Size | 65mm - 80mm | 100mm | 150mm | 200mm - 250mm |
|---|-------------|--------|--------|---------------|
| Complete Rubber Kit | 905249 | 905163 | 905164 | 905165 |
| 2 seat discs, 2 seat gaskets, 2 cover O-rings, 2 cover bushings, cover plate gasket & O-ring. | | | | |



| | |
|-----|------------------------|
| 1 | Body |
| 2 | Cover (w/hole) |
| 2.1 | O-Ring |
| 2.2 | Cap Screw |
| 2.3 | Hex Nut |
| 2.5 | Cover (w/o hole) |
| 3 | Seat Ring |
| 3.1 | Gasket |
| 3.2 | Socket Head Screw |
| 3.4 | Washer |
| 4 | Arm |
| 4.1 | Bushing-Swing Pin |
| 4.2 | Swing Pin |
| 5 | Retaining Clip |
| 5.1 | Retaining Clip |
| 6 | Check Disc (2-1/2"-8") |
| | Seat Disc (10") |
| 6.1 | Disc Holder (10") |
| 6.2 | Disc Retainer (10") |
| 6.3 | Capscrew (10") |

| | |
|------|-------------------------|
| 7 | Load Pin |
| 8 | Lower Spring Retainer |
| 9 | Spring Retainer |
| 9.1 | Elastic Stop Jam Nut |
| 10 | Spring |
| 10.2 | Spring Shim |
| 10.3 | Spring Shim |
| 11 | Spring Guide |
| 12 | Upper Spring Retainer |
| 12.1 | Bushing-Spring Stem |
| 13 | Pivot Bearing |
| 14 | Flange Gasket |
| 15 | Bearing Socket |
| 16 | Hex Jam Nut (2-1/2"-8") |
| | Capscrew (10") |
| 17 | Washer |
| 18 | Flange Nut |
| 8.1 | Flange Nut |
| 19 | Cover |
| 24 | Bolt |

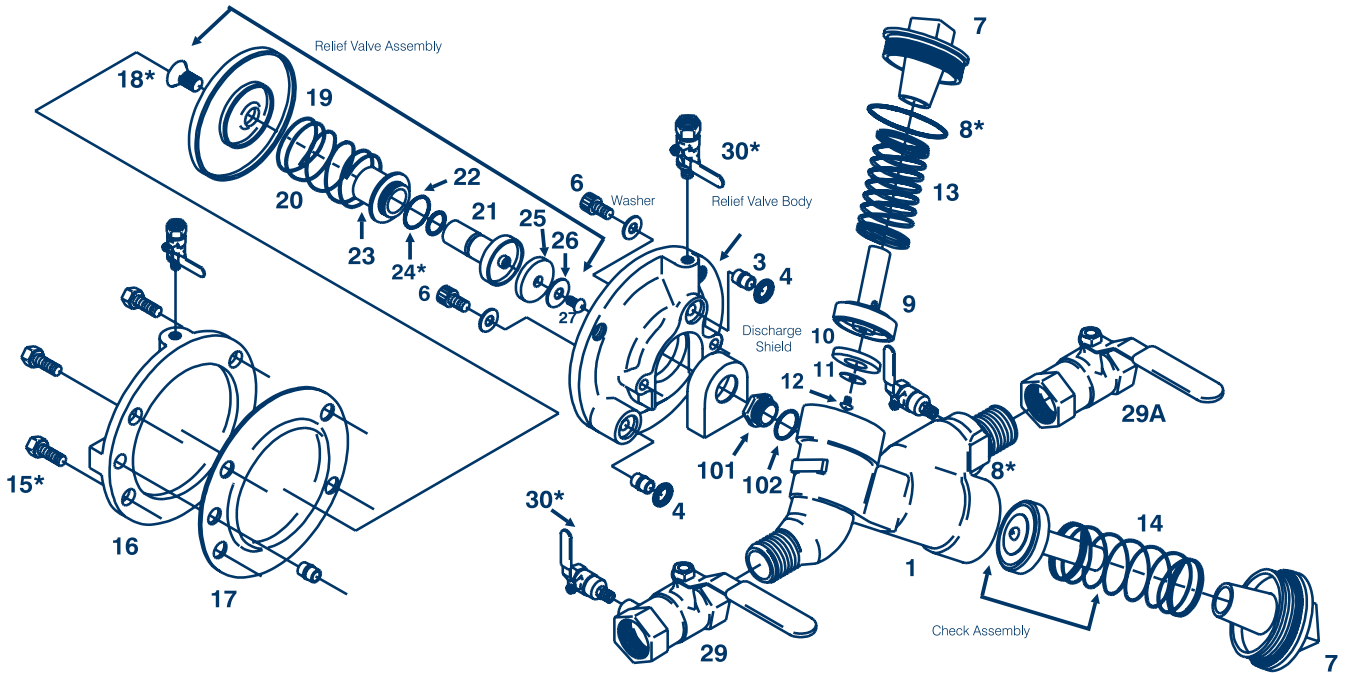
| | |
|------|------------------------|
| 25 | Bolt |
| 26 | Gasket |
| 35 | O-Ring |
| 35.1 | Back-Up Ring |
| 36 | Cover |
| 40 | Ball Valve |
| 41 | Nipple |
| 42 | Gate Valve (NRS) |
| 43 | Bulkhead Fitting |
| 43.1 | Bulkhead Fitting |
| 44 | Bulkhead Plug |
| 45 | Gasket |
| 45.1 | Gasket |
| 46 | Washer |
| 46.1 | Washer |
| 47 | Nut |
| 47.1 | Nut |
| 70 | Clamp (870V/876V only) |



RPZ
825Y Series

FEBCO 825Y SERIES 15MM - 50MM

| Size | 15 - 32mm | 40 - 50mm |
|--|-----------|-----------|
| Check Rubbers 8 (2), 10 (2) | 905042 | 905053 |
| Complete Rubber Kit 3, 4, 5, 8, 10, 17, 22, 24, 25, 102 | 905111 | 905112 |
| Check Valve Assembly 8, 9, 10, 11, 12 | 905044 | 905055 |
| Relief Valve Rubber Kit 17, 22, 24, 25 | 905043 | 905054 |
| Relief Valve Assembly 17, 18, 19, 20, 21, 22, 23, 24, 25, 26, 27 | 905045 | 905056 |



| | |
|----|-----------------|
| 3 | Bushing |
| 4 | O-Ring |
| 5 | Gasket |
| 6 | Capscrew |
| 7 | Cap |
| 8 | O-Ring |
| 9 | Disc Holder |
| 10 | Seat Disc |
| 11 | Washer |
| 12 | Screw |
| 13 | Spring (Inlet) |
| 14 | Spring (Outlet) |
| 15 | Bolt |

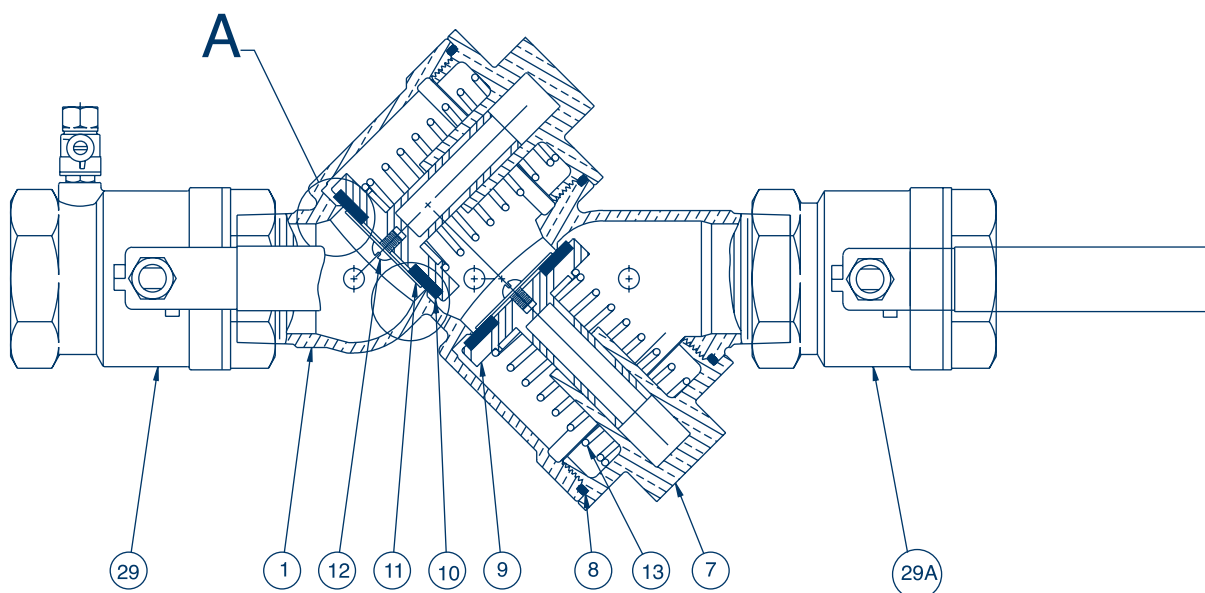
| | |
|-----|--------------------------|
| 16 | Cover |
| 17 | Diaphragm |
| 18 | Screw |
| 19 | Button |
| 20 | Spring |
| 21 | Mainstem |
| 22 | O-Ring |
| 23 | Guide |
| 24 | O-Ring |
| 25 | Seat Disc |
| 26 | Washer |
| 27 | Screw |
| 101 | Seat Ring (Relief Valve) |
| 102 | O-Ring (Relief Valve) |



DCV
805Y Series

FEBCO 805Y SERIES 15MM - 50MM

| Size | 15 - 32mm | 40 - 50mm |
|---|-----------|-----------|
| Check Rubbers 8 (2), 10 (2) | 905042 | 905053 |
| Check Valve Assembly 8, 9, 10, 11, 12 | 905044 | 905055 |
| Inlet & Outlet Springs 13 | 630115 | 630118 |



| | |
|-----|---------------------|
| 1 | Body |
| 7 | Cap |
| 8 | O-Ring |
| 9 | Disc Holder |
| 10 | Seat Disc |
| 11 | Washer |
| 12 | Screw |
| 13 | Spring |
| 29 | Ball Valve - Inlet |
| 29A | Ball Valve - Outlet |

BACKFLOW SPARE PARTS GUIDE

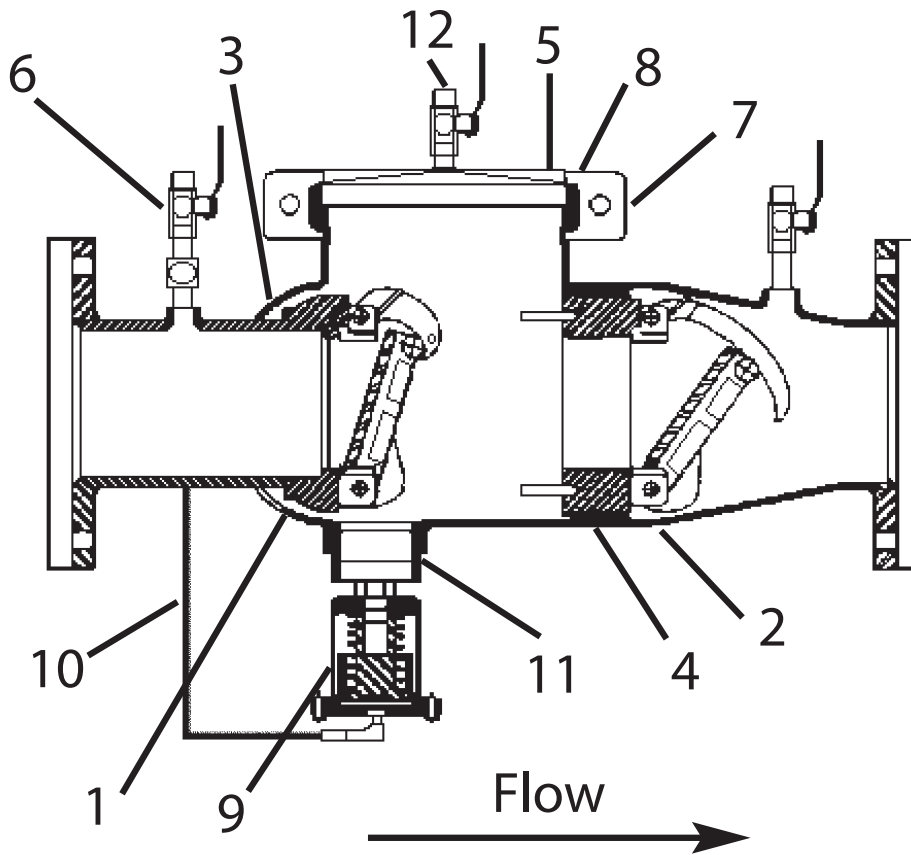


AMES 4000SS 65MM - 150MM

RPZ

4000SS Series

| Size | 65mm - 100mm | 150mm |
|---|--------------|---------|
| 1st Cam Check Item 1 | 7010107 | 7010108 |
| 2nd Cam Check Item 2 | 7010110 | 7010111 |
| Relief Valve Rubbers | 7010113 | 7010113 |
| Relief Valve Major Kit Item 9 | 7010114 | 7010114 |



| | |
|----|-----------------------------------|
| 1 | #1 Cam-Check |
| 2 | #2 Cam-Check |
| 3 | #1 Cam-Check O-ring |
| 4 | #2 Cam-Check O-ring |
| 5 | Cover Plate |
| 6 | Ball Valve |
| 7 | Groove Coupler |
| 8 | Groove Coupler Gasket (not shown) |
| 9 | Relief Valve (complete assembly) |
| 10 | Relief Valve Hose |
| 11 | Relief Valve Body O-ring |
| 12 | Washer, Shutoff |

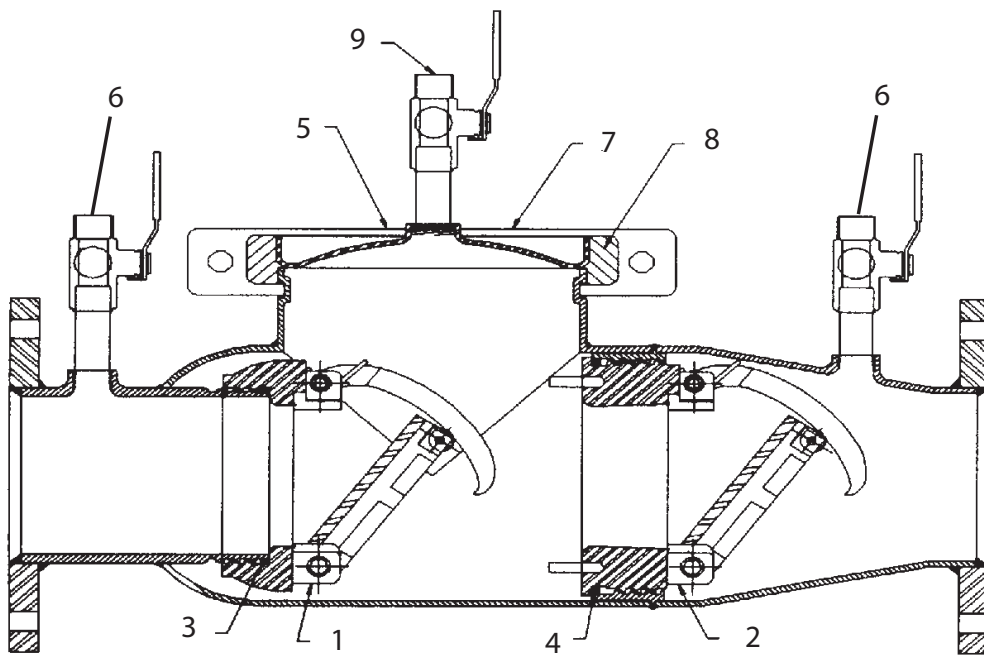
BACKFLOW SPARE PARTS GUIDE



AMES 2000SS 65MM - 150MM

DCV
2000SS Series

| Size | 65mm - 100mm | 150mm |
|--------------------------------|--------------|---------|
| 1st Cam Check Item 1 | 7010097 | 7010098 |
| 2nd Cam Check Item 2 | 7010100 | 7010101 |



| | |
|---|-----------------------|
| 1 | #1 Cam-Check |
| 2 | #2 Cam-Check |
| 3 | #1 Cam-Check O-ring |
| 4 | #2 Cam-Check O-ring |
| 5 | Cover Plate |
| 6 | Ball Val400e |
| 7 | Groove Coupler |
| 8 | Groove Coupler Gasket |
| 9 | Ball Valve (Cover) |

BACKFLOW SPARE PARTS GUIDE



RPZ
RP03 Series

VALVCHEQ RP03 RPZ

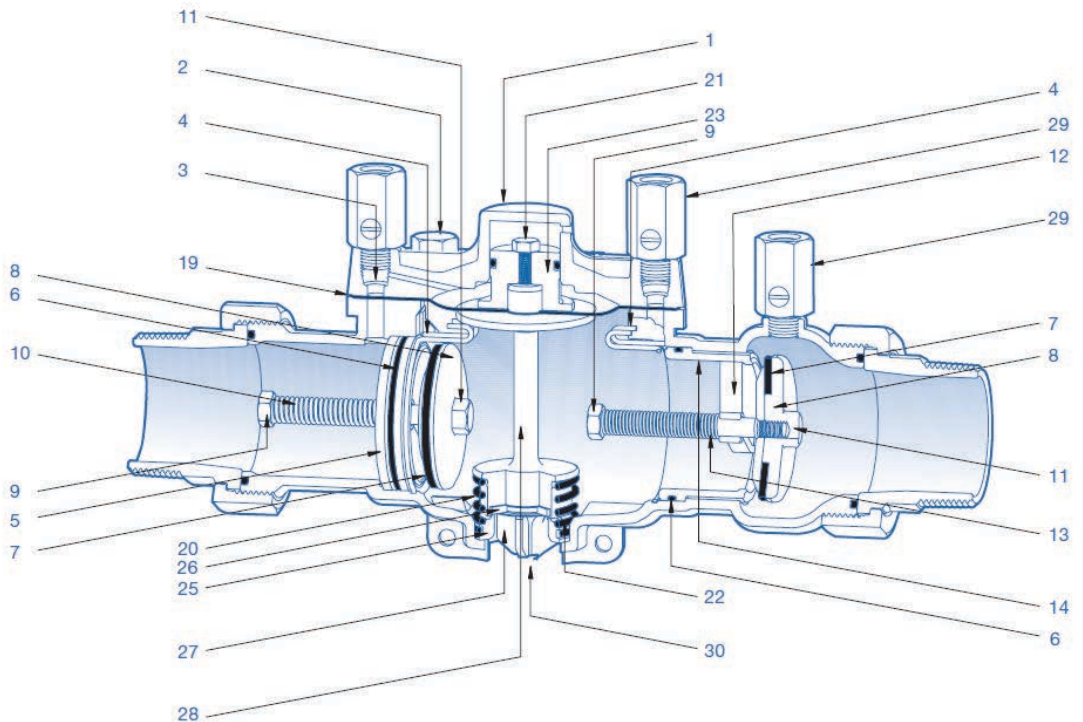
| Size | 15mm - 25mm | 32mm - 50mm | 65mm - 80mm | 100mm | 150mm |
|------------------|-------------|-------------|-------------|---------|---------|
| Seal Kit | 2032102 | 2016198 | 2023108 | 2027351 | 2030316 |
| Relief Valve Kit | 2020192 | 2013179 | 2012036 | 2012036 | 2012036 |

DCV
DC03 Series

VALVCHEQ DC03 DCV

| Size | 15mm - 25mm | 32mm - 50mm | 65mm - 80mm | 100mm | 150mm |
|----------|-------------|-------------|-------------|---------|---------|
| Seal Kit | 2032102 | 2016198 | 2023108 | 2027351 | 2030316 |

| | |
|----|--------------------------------|
| 1 | Cover plate |
| 2 | Cover plate bolts |
| 3 | Relief sensor port |
| 4 | Check valve circlip |
| 5 | 1st check valve seal ring |
| 6 | Check valve o-ring |
| 7 | Check valve seal |
| 8 | Check valve disc |
| 9 | Check valve stem |
| 10 | 1st check valve spring |
| 11 | Check valve retaining nut |
| 12 | 2nd check valve seal ring |
| 13 | 2nd check valve spring |
| 14 | 2nd check valve body seal ring |
| 19 | Relief valve diaphragm |
| 20 | Relief valve spring |
| 21 | Relief valve top guide bolt |
| 22 | Relief valve seal guide o-ring |
| 23 | Relief valve guide |
| 24 | Relief valve guide o-ring |
| 25 | Relief valve seal ring |
| 26 | Relief valve seal |
| 27 | Relief valve seal retainer |
| 28 | Relief valve push rod |
| 29 | Test taps |
| 30 | Relief Port |



DISTRIBUTED BY

ALL VALVE INDUSTRIES

Ph: 02 8543 9811
Fx: 02 8543 9822

sales@allvalve.com.au
www.allvalve.com.au