



EMERGENCY SHOWER SS COMBINATION UNIT



Model AVI-2330
with bull horn style eye/face wash

Model 8300SS
with central eye/face wash

AS/NZS 4020
COMPLIANT

AS 4775
COMPLIANT

ANSI Z358.1
COMPLIANT

EMERGENCY COMBINATION SAFETY SHOWER AND EYE/FACE WASH

FEATURES

- Includes stainless steel eye/face wash head assembly and shower head.
- Round 11" (28cm) 304 stainless steel eye/face wash bowl.
- Laminar flow eye/face wash streams.
- 1-1/4" IPS Sch40 stainless steel pipe, fittings and stainless steel 9" (22.9cm) floor flange.
- Optional stainless steel dust cover
- Optional scald / freeze protection valves.

PRODUCT DETAILS

AVI-2330 and 8300SS combination shower and eye/face wash feature a stainless steel 28 cm (11") round bowl and stainless steel eye/face wash head with laminar flow outlets supplied by an integral flow control.

Model AVI-2330 has a bull horn type eye/face wash outlets.

Model 8300SS has a round central eye/face wash outlet.

Units include the stainless steel shower head with flow control, 1-1/4" stainless steel pipe and fittings, 22.9 cm (9") diameter floor flange. Self-adhesive high visibility safety green and bright yellow stripes, emergency safety sign and 32mm BSP water inlet supply.

ACCESSORIES AND OPTIONS

In addition to the accessories shown in the table (right), the combination shower can also be offered with monitoring and alarm systems including flow switches, sound beacons and 240VAC/ 24VDC LED lighting, as well as aluminium foil back insulation. Contact us to discuss your requirements.

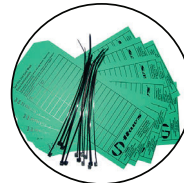
APPLICATION

Where the eyes or body of any person may be exposed to injurious or corrosive materials, suitable facilities for quick drenching or flushing of the eyes and body shall be provided within the work area for immediate emergency use. Emergency eyewash facilities and deluge showers shall be in unobstructed and accessible locations that require no more than 10 seconds for the injured person to reach. Model AVI-2330 meets ANSI Z358.1 and AS4775 for Emergency Eyewash and Shower Equipment.

TECHNICAL SPECIFICATIONS

WATER SUPPLY CONNECTION	32MM
FLOW RATE (SHOWER)	76 L/MIN
FLOW RATE (EYE/FACE WASH)	24 L/MIN
FLOW RATE (COMBINED)	100 L/MIN
MINIMUM PRESSURE (DYNAMIC)	210KPA

DESCRIPTION	CODE
SHOWER W/ BULLHORN EYE/FACE WASH	AVI-2330
SHOWER W/ CENTRAL EYE/FACE WASH	8300SS
SCALD PROTECTION VALVE	HAT/SP
FREEZE PROTECTION VALVE	HAT/FP
TEST TAG	SP170
SHOWER EYEWASH SIGN	AVI-174
SS DUST COVER	9102
FOOT PEDAL	SP220



SP170

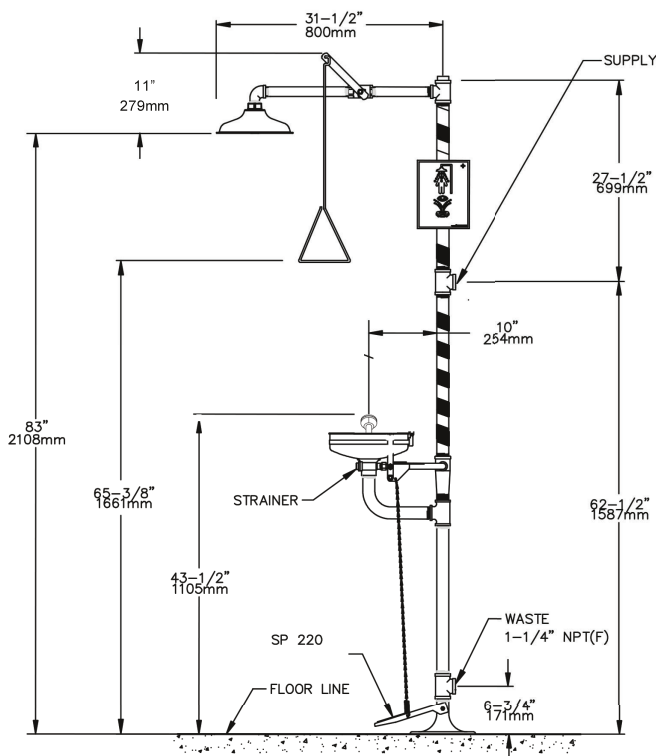


AVI-174

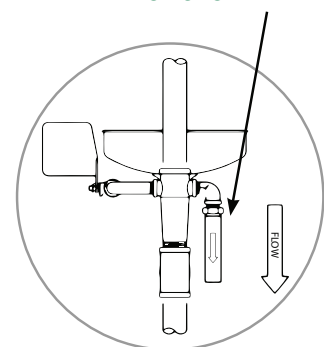


SP220

DIAGRAM



OPTIONAL
SCALD PROTECTION VALVE
OR
FREEZE PROTECTION VALVE



All Valve
INDUSTRIES

090922-00

WE RESERVE THE RIGHT TO CHANGE OUR PRODUCTS AND THEIR RELEVANT TECHNICAL DATA, CONTAINED IN THIS PUBLICATION, AT ANY TIME AND WITHOUT PRIOR NOTICE.

All Valve Industries Pty Ltd. · Unit 2, 18-28 Sir Joseph Banks Drive
Kurnell NSW 2231 - Ph: +61 2 8543 9811 · Fax: +61 2 8543 9822
www.allvalve.com.au · info@allvalve.com.au · © Copyright 2013