

Vibration Eliminator

This vibration eliminator, also known as a flexible connector or flexible joint, is a straight, single sphere molded of multiple layers of synthetic rubber and nylon reinforcing fabric with raised faces and is provided with floating steel flanges.

It is used where noise and vibration needs to be isolated as well as alignment between pipes are necessary, for example in air-conditioning, sanitary equipment, industrial plant equipment, marine piping systems or other various plant piping systems.

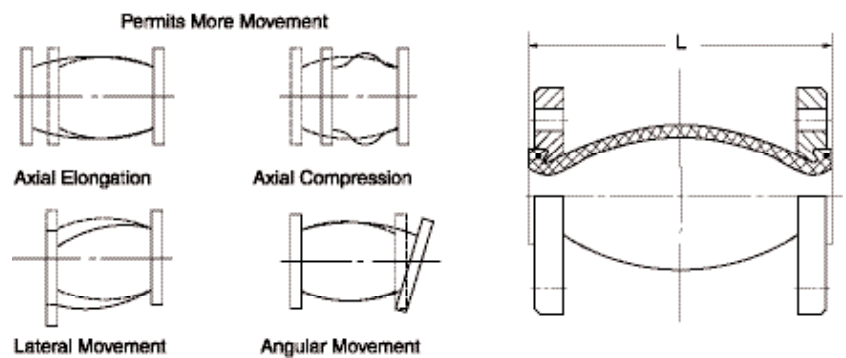


material specifications

Cover	EPDM / Neoprene
Carcass	Nylon Cord Fabric
Reinforcing Wire	Stainless Steel
Flange	Mild Steel

features

- Operating Pressure 1600kPa
- Burst Pressure 3000kPa
- Vacuum Rating 400mm Hg
- Flanged to AS2129-1978 table E,
- Temp - 15°C to 115°C



dimensions

Nominal size mm	L mm	Axial Compression mm	Axial Elongation mm	Lateral Movement mm	Angular Movement
32	95	9	6	9	15°
40	95	10	6	9	15°
50	105	10	7	10	15°
65	115	13	7	11	15°
80	135	15	8	12	15°
100	150	19	10	13	15°
125	165	19	12	13	15°
150	180	20	12	14	15°
200	210	25	16	22	15°
250	230	25	16	22	15°
300	245	25	16	22	15°