



# TD8

Rotary piston volumetric water meter

TD8 is a piston-type water meter suitable for clean water conditions in residential and commercial environments. Measuring water from very low to very high flows, TD8 provides accuracy beyond category standards. With tamperproof capabilities and a communication-ready design, TD8 delivers proven robustness to Australian utilities.

## ACCURACY BEYOND INDUSTRY STANDARDS

Designed to reduce head losses, Itron's TD8 extensive measuring range encompasses very low to very high flows (R400), ensuring sustained accuracy beyond market standards.

## PROTECTING THE INTEGRITY OF CONSUMPTION DATA

Combining Itron's proven metrology and an embedded anti-tampering system protecting the register, TD8 preserves the accuracy and reliability of water consumption data.

## COMMUNICATION-READY FOR WIRELESS DATA COLLECTION

Compatible with Itron's Cyble technology, TD8 meters support communication through industry standards such as M-Bus, pulse outputs, or wireless radio-frequency for connectivity to drive-by/walk-by or networked data collection systems.

## FEATURES

- » Very large measuring range with Q3/Q1 Ratio up to R400 (DN20)
- » Very low starting flow allowing for leakage detection
- » Easy to read extra dry register with large contrasted roller numbers
- » Embedded wiper for readability in humid conditions
- » 360° Register rotation adjustable on site
- » IP 68 case protection

## Communication

Compatible with Itron's Cyble technology

- » Pulse output
- » M-Bus
- » Radio frequency

## Standard Compliance

- » NMI R49-1 class 2 in all positions
- » AS 3565.1



Cyble 5 fitted on TD8 DN20

### THE TECHNOLOGY

TD8 combines the advantages of piston type technology together with proven reliability of the extra dry register. With no gears in contact with the water, the

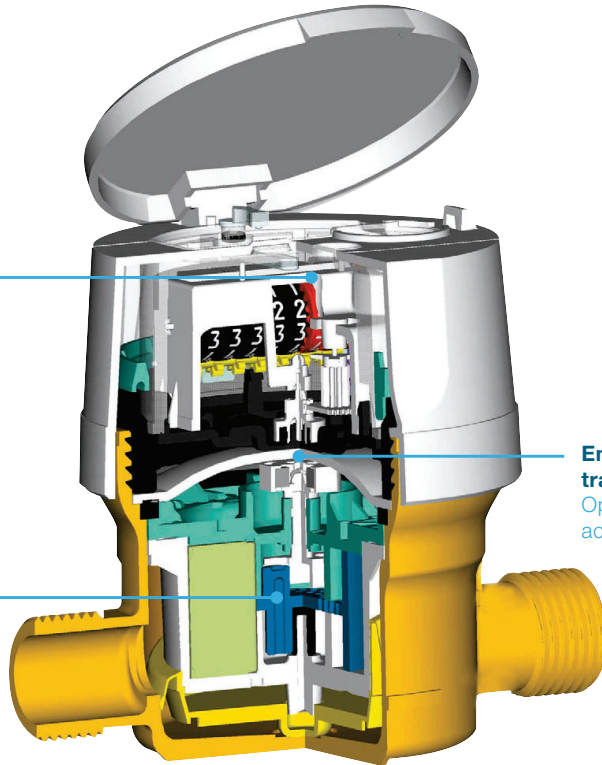
smooth piston chamber ensures long term accuracy. The irreversible meter cap mounting makes it totally tamperproof without the use of lead seals.

### WORKING PRINCIPLE

**Hermetically Sealed Register (Counter)** Glass lens and copper -can register, condensation and water proof (IP 68), allows permanent readability

**Piston type volumetric meter**  
Each rotation of the piston in the measuring chamber represents a given volume of water passing through.

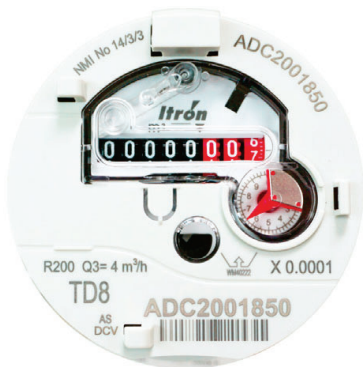
**Enhanced magnetic transmission**  
Optimize low flow accuracy and aging



TD8 coaxial version

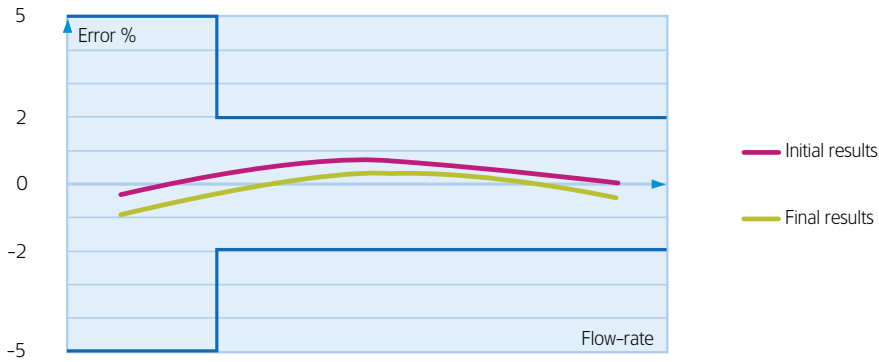
### METROLOGICAL CHARACTERISTICS

Meter Capacity	m <sup>3</sup> /h	20	25
NMI R49-1 approval		14/3/3	14/3/26
Maximum admissible temperature	°C		30
Maximum temperature for short period	°C		50
Maximum admissible pressure	kPa	1400/1600	1600
Pressure loss P (Q4)	kPa		<100
Flow rate ratio (Q3/Q1)		200/400	200/315
Overload flow rate (Q4)	m <sup>3</sup> /h	5	7.875
Permanent flow rate (Q3)	m <sup>3</sup> /h	4	6.3
Transitional flow rate (Q2)	l/h	16/32	40
Minimum flow rate (Q1)	l/h	10/20	25
Starting flow rate	l/h	2	6
Indication range	m <sup>3</sup>		10 <sup>5</sup>
Minimum scale interval	l		0.5
Communication pre-equipment			Cyble Technology

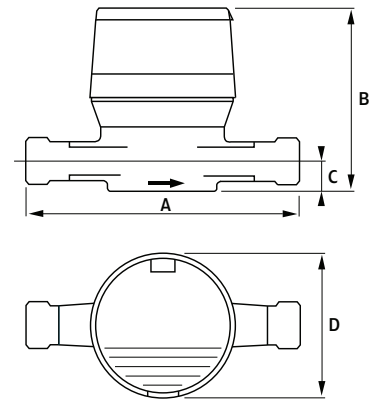
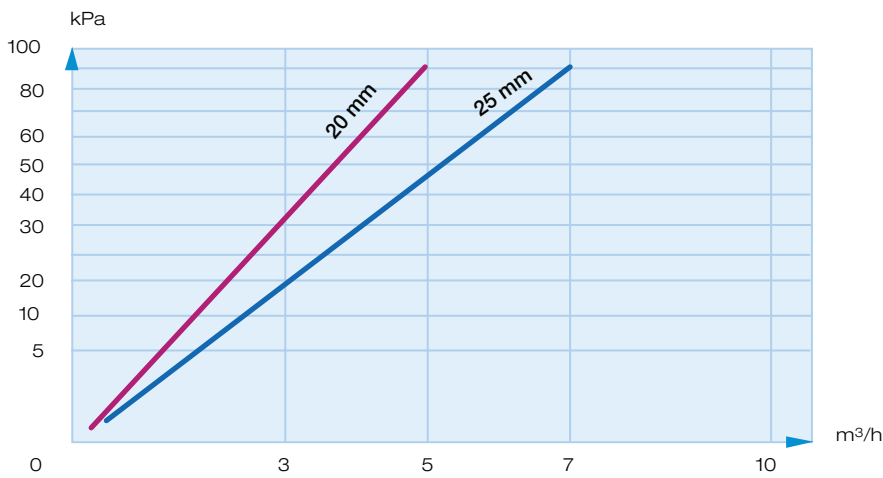


TD8 indicator

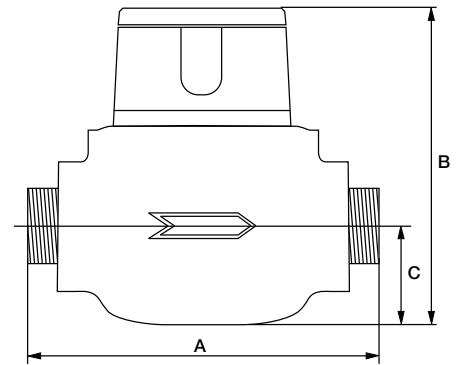
## ENDURANCE CURVE



## HEAD LOSS



DN 20



DN 25

## DIMENSIONS

Nominal diameter (DN)	mm	20	25	Coaxial
Meter Thread	inches	G 1 ¼	G 1 ¼ (14 TPI)	G 1 ½
	mm	12-8"	38-8" (14 TPI)	-
A	mm	140*	178	-
B	mm	143	150	150
C	mm	20	44	-
D	mm	88	110	88
Weight	kg	1.54	3.1	1.13

\* Other available lengths 154 mm

## OPTIONS (NON EXHAUSTIVE LIST)

TD8 meters may be fitted with:

- » Removable 316 stainless steel filter inserted in the inlet
- » Colour coded body available
- » Copper/glass register



Join us in creating a more **resourceful world.**  
To learn more visit **[itron.com](http://itron.com)**

While Itron strives to make the content of its marketing materials as timely and accurate as possible, Itron makes no claims, promises, or guarantees about the accuracy, completeness, or adequacy of, and expressly disclaims liability for errors and omissions in, such materials. No warranty of any kind, implied, expressed, or statutory, including but not limited to the warranties of non-infringement of third party rights, title, merchantability, and fitness for a particular purpose, is given with respect to the content of these marketing materials. © Copyright 2020 Itron. All rights reserved. **WA-0051.2-EN-03.20**

**ITRON AUSTRALIA  
PTY LTD**

Level 2, Suite 2.02  
10 Barrack Street  
Sydney NSW 2000 - Australia

**Phone:** +61 2 8235 5700  
**Fax:** +61 2 8235 5799