

# ELECTRIC ACTUATED BALL VALVES



## WATERMARK APPROVED BALL VALVES WITH ELECTRIC ACTUATOR

### FUNCTION AND FEATURES

#### ■ **Compact Size**

Ultra small form combined with a powerful motor, position indicator and manual override.

#### ■ **Robust Construction**

Heavy duty ball valves with IP67 aluminium or PC + PET actuator housing.

#### ■ **Watermarked SS ball valves**

Watermark approved SS ball valves available in 2-way BSP or flanged, or 3-way BSP.

#### ■ **Inbuilt Heater**

Anti-condensation heater offered as standard to maximise service life.

#### ■ **End of stroke switches**

Two SPDT volt free end of travel confirmation switches included as standard.

#### ■ **Range of actuator options**

Various voltages, high speed, smart control, WiFi, failsafe, timer control, and more available.

## PRODUCT SPECIFICATIONS

The 316SS ball valves are Watermark approved and are available from 15mm - 100mm in a 2way 3piece BSP thread, 3way L port or T port configuration in BSP thread, or In a 2way flanged Table D or ANSI. The ball valves are fitted with the TCN series quarter turn electric actuators which are available in either a basic or smart model.

The **basic** model is constructed with internal mechanical cams to stop the motor in the required position. It offers a number of standard features such as a brushless motor, overload protection, IP67 rated housing, dome style visual indicator, manual override, end of stroke switches, anti-condensation heater, and a variety of voltages and wiring configurations

The **smart** model is fully electronic using magnetic positioning and operates using inbuilt firmware. In addition to the standard features, the smart model features an OLED screen which can display position indication, failure reports, along with menu operation and push button control to allow numerous advanced operations such as custom positions, speed control, local manual control, and more.

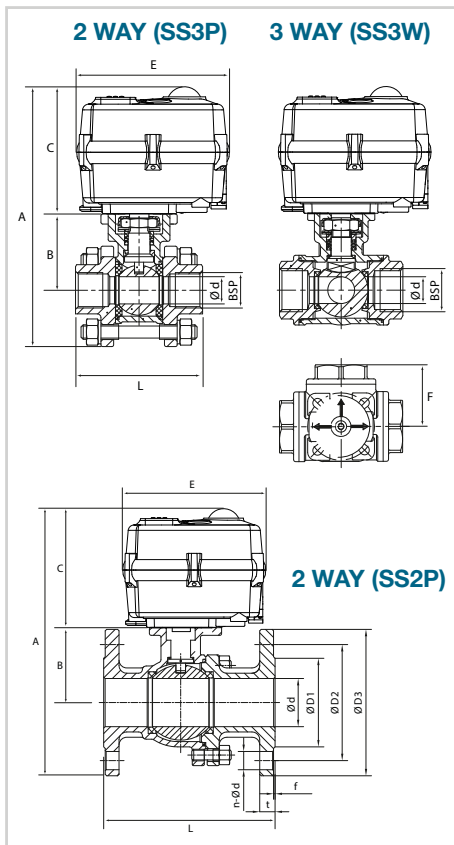
OLED screen on smart model features on function C, T, B, R & D. See order code table.

## ORDER CODES

SS3P - 25 - 02		N -		-		Option *	
Type	2way BSP	SS3P	2way Flanged	SS3WL	3way L-port	SS3WT	3way T-port
Size / Actuator *	15 - 02 (15mm)	20 - 02 (20mm)	25 - 02 (25mm)	32 - 05 (32mm)	40 - 05 (40mm)	50 - 11 (50mm)	65 - 11 (65mm)
	80 - 20 (80mm)	100 - 20 (100mm)					
Function	N Basic On / Off	C Smart On / Off	T Modulating	B BUS	R Wireless	D Timer	
Option *	H High speed	KT Fail safe battery					
Voltage *	12VDC	24VDC	24VAC	110VAC	230VAC		

\* not all options and voltages available on all models. Failsafe will reduce torque rating and may change actuator selection. Please check with our sales team.

## DIAGRAM



### 2 WAY BSP (SS3P)

SIZE	d	A	B	C	E	L
15MM	15	147	42	90	104	54
20MM	20	159	49	90	104	73
25MM	25	173	58	90	104	79
32MM	32	185	63	90	104	90
40MM	40	233	72	121	132	102
50MM	50	251	79	122	150	118
65MM	65	282	95	122	150	149
80MM	80	360	110	170	223	180
100MM	100	399	129	170	223	223

### 3 WAY L OR T PORT BSP (SS3W)

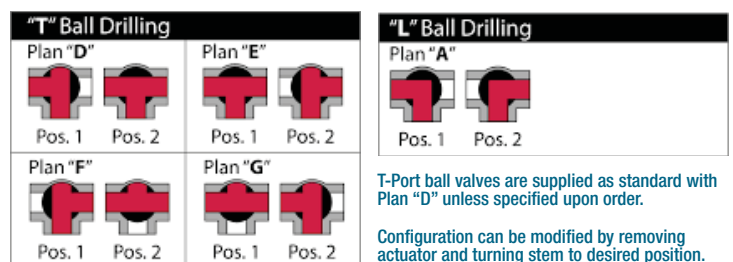
SIZE	d	A	B	C	E	L	F
15MM	12	148	43	90	104	75	37.5
20MM	15	156	46	90	104	85	42.5
25MM	20	172	57	90	104	100	50
32MM	25	217	64	121	132	122	61
40MM	32	236	75	121	132	131	65.5
50MM	40	250	78	122	150	158	79
65MM	49	283	96	122	150	178	89
80MM	60	362	112	170	223	202	101
100MM	75	400	130	170	223	246	123

### 2 WAY FLANGED (SS2P)

SIZE	d	A	B	C	E	L	D1	D2	D3	t	f	n-d
15MM	15	179	48	90	104	108	35	61	89	10	1.6	4-16
20MM	20	189	53	90	104	117	43	70	99	11	1.6	4-16
25MM	25	198	59	90	104	127	51	79	108	11	1.6	4-16
32MM	32	238	71	121	132	140	64	89	117	13	1.6	4-16
40MM	38	246	76	121	132	165	73	98	125	15	2.0	4-16
50MM	50	272	85	122	150	178	92	121	150	16	2.0	4-19
65MM	65	302	102	122	150	190	105	140	180	18	2.0	4-19
80MM	76	360	112	170	223	203	127	152	190	20	2.0	4-19
100MM	94	400	141	170	223	229	157	191	230	24	2.0	4-19

PART	SPECIFICATION
BODY / CAP	CF8M
BALL / STEM	SS 316
BALL SEAT & PACKING	PTFE
STEM O-RING	VITON
NUTS / BOLTS / WASHERS	SS 304
ACTUATOR	ALUMINIUM (15-65mm) PC+PET (80-100MM)
PRESSURE	6,300 KPA (BSP) OR ANSI150 (FLANGED)
TEMPERATURE *	-20°C - 80°C (DIRECT MOUNT)

\* Max temperature rating from direct mounting of actuator. Higher temperatures to 180°C can be achieved with extension.



T-Port ball valves are supplied as standard with Plan "D" unless specified upon order.

Configuration can be modified by removing actuator and turning stem to desired position.



040815-00