



PORTABLE SAFETY SHOWER

MODEL: PS3

This portable safety shower is ideal as a temporary safety shower to meet health & safety requirements or when an existing safety shower is out of service. The stainless steel pipework is contained within a lightweight aluminium carry case and comes with three nozzles (overhead, body & lower body) for total decontamination. Manufactured to **ANSI Z358.1-2014** and **EN15154** standards.

KEY FEATURES

- Easily assembled in 2-3 minutes
- Drains down after use
- Suitable for indoor/outdoor use
- Manufactured in house, in the UK



OPERATING CONDITIONS

WATER SUPPLY PRESSURE 2 - 6 bar
TEMPERATURE 0°C to +40°C

TECHNICAL DETAILS

INLET CONNECTION Geka
FLOW RATE 76lpm
OPERATION Foot
SIGNAGE Rigid pictorial sign included

MATERIAL DETAILS

CARRY CASE Aluminium with non-slip surface
PIPEWORK Stainless steel
NOZZLES Stainless steel - overhead, body & lower body
SHOWER VALVE Stainless steel
HOSE 5m Layflat hose

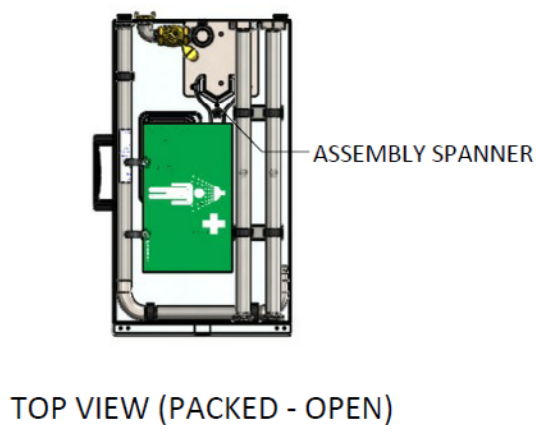
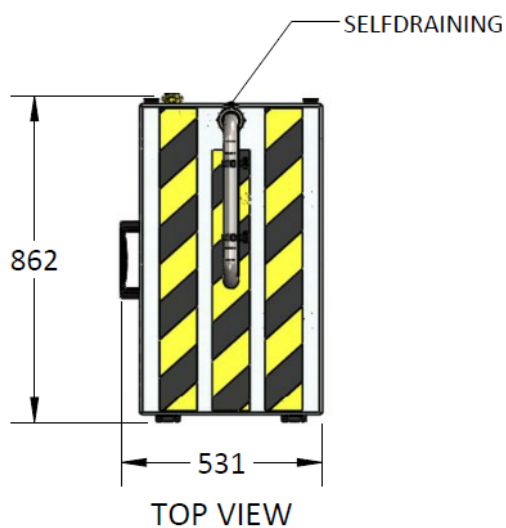
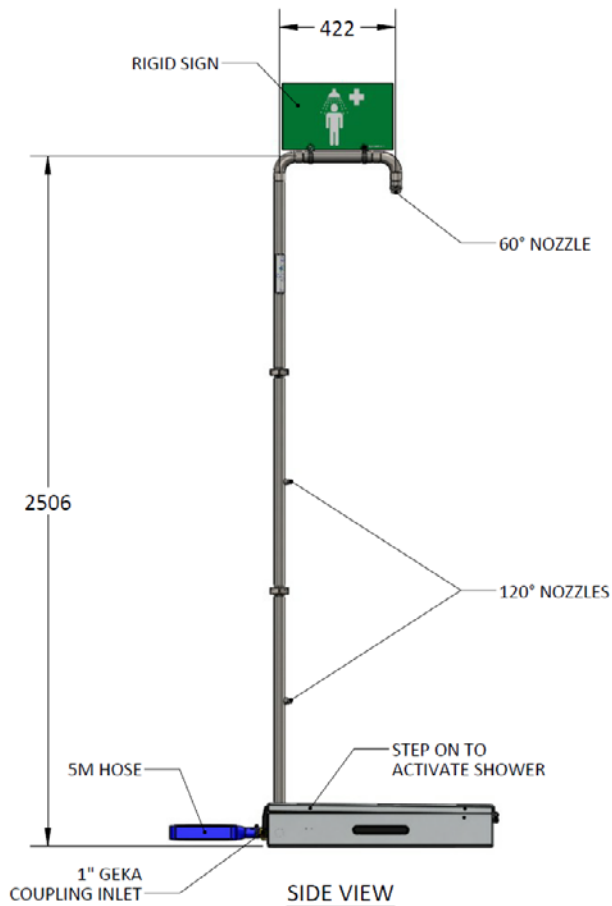
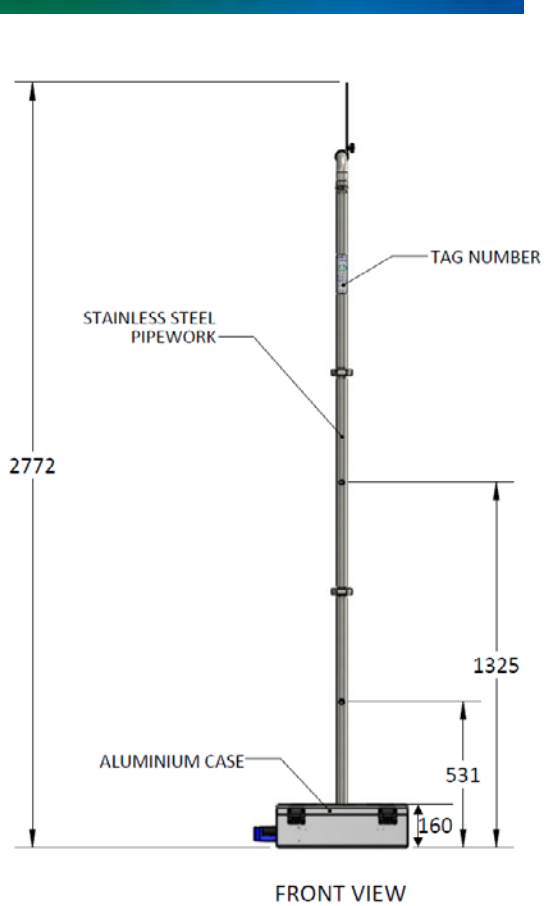
Distributed By:



All Valve Industries
 U2, 18-28 Sir Joseph Banks Drive
 Kurnell NSW 2231

www.allvalve.com.au
 sales@allvalve.com.au
 +61 2 8543 9811

TECHNICAL DRAWINGS



Distributed By:

All Valve
INDUSTRIES

All Valve Industries
U2, 18-28 Sir Joseph Banks Drive
Kurnell NSW 2231

www.allvalve.com.au
sales@allvalve.com.au
+61 2 8543 9811