

COMBI BALL VALVES



ISOLATION BALL VALVES WITH NON-RETURN AND STRAINER

FUNCTION AND FEATURES

■ Union connection

Union connection offers easy disconnection from the pipework or fitting.

■ Quality components

High quality valves manufactured in Italy from DR brass.

■ Non-return valve

Inbuilt spring check valve in the union tail can be accessed via the union side.

■ Handle Colour

Handle is available in either blue or red to for visual indication of cold or hot service.

■ Strainer

Strainer basket provides high capacity, able to be removed for cleaning.

■ Inspection Plug

O-ring sealed inspection plug allows quick and easy access to strainer for maintenance.

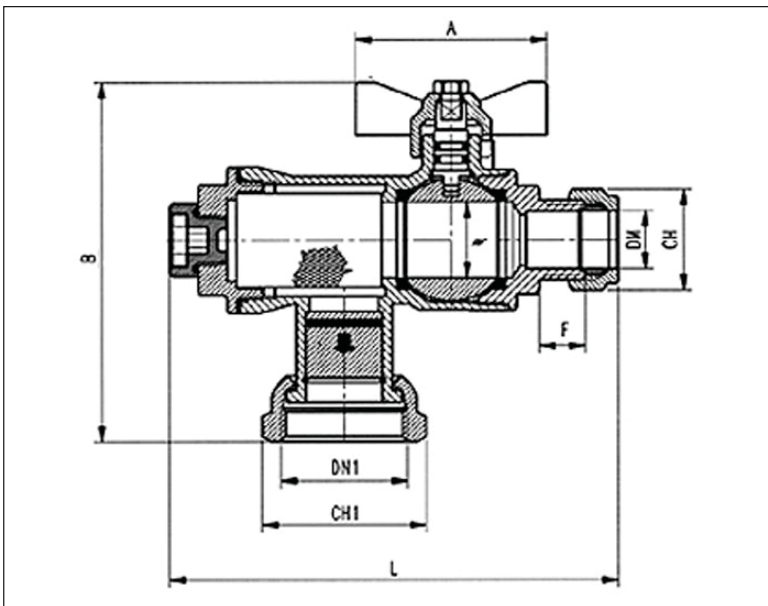
PRODUCT DETAILS

The combi isolation ball valves feature a non-return valve and a strainer in a compact design.

This multi-functional valve provides the advantages of ensuring the water is filtered and can be isolated, if required. The combi valve is the ideal valve for use with appliances requiring regular maintenance along with the protection from dirty water supplies which may affect their performance

A coupling is incorporated into valve, providing a compact, single piece design which means there are no unnecessary leak points.

DIAGRAM



DIMENSIONS

DN (INLET)	15	20
DN1 (UNION)	3/4" BSP	1" BSP
L	92	110
A	50	50
B	76	95
F	12	12

PERFORMANCE

MAX TEMPERATURE	85°C
MAX PRESSURE	1,400kPa