



EMERGENCY SS EYE/FACE WASH



AS/NZS 4020
COMPLIANT

AS 4775
COMPLIANT

ANSI Z358.1
COMPLIANT



EMERGENCY EYE/FACE WASH PEDESTAL UNIT

FEATURES

- Includes 304 stainless steel eye/face wash head.
- Round 11" (28cm) 304 stainless steel eye/face wash bowl.
- Laminar flow eye/face wash streams.
- 1-1/4" IPS Sch40 stainless steel pipe, fittings and stainless steel 9" (22.9cm) floor flange.
- Optional stainless steel dust cover
- Optional scald / freeze protection valves.

PRODUCT DETAILS

SPECIFICATION

Model AVI-2361 stainless steel pedestal-mounted eye/face wash shall include a stainless steel 28 cm (11") round bowl and stainless steel eye/face wash head featuring bull horn laminar flow outlets supplied by an integral flow control. Unit shall also include the stainless steel 1-1/4" stainless steel pipe and fittings and 22.9 cm (9") diameter floor flange. Emergency safety sign and 25mm BSP water inlet supply and 32mm waste shall be supplied.

ACCESSORIES AND OPTIONS

In addition to the accessories shown in the table (right), the eye/face wash can also be offered with monitoring and alarm systems including flow switches, sound beacons and 240VAC/24VDC LED lighting, as well as aluminium foil back insulation.

Please contact us to discuss your requirements.

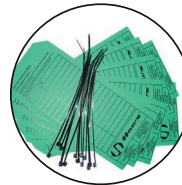
APPLICATION

Where the eyes or body of any person may be exposed to injurious or corrosive materials, suitable facilities for quick drenching or flushing of the eyes and body shall be provided within the work area for immediate emergency use. Emergency eye/face wash facilities and deluge showers shall be in unobstructed and accessible locations that require no more than 10 seconds for the injured person to reach. Model AVI-2361 meets ANSI Z358.1 and AS4775 for Emergency Eyewash and Shower Equipment.

TECHNICAL SPECIFICATIONS

WATER SUPPLY CONNECTION	25MM
FLOW RATE (EYE/FACE WASH)	24 L/MIN
MINIMUM PRESSURE (DYNAMIC)	210KPA

DESCRIPTION	CODE
SS EYE/FACE WASH	AVI-2361
SCALD VALVE	HAT/SP
FREEZE VALVE	HAT/FP
TEST TAG	SP170
EYE/FACE WASH SIGN	AVI-175
SS DUST COVER	9102
FOOT PEDAL	SP220



SP170

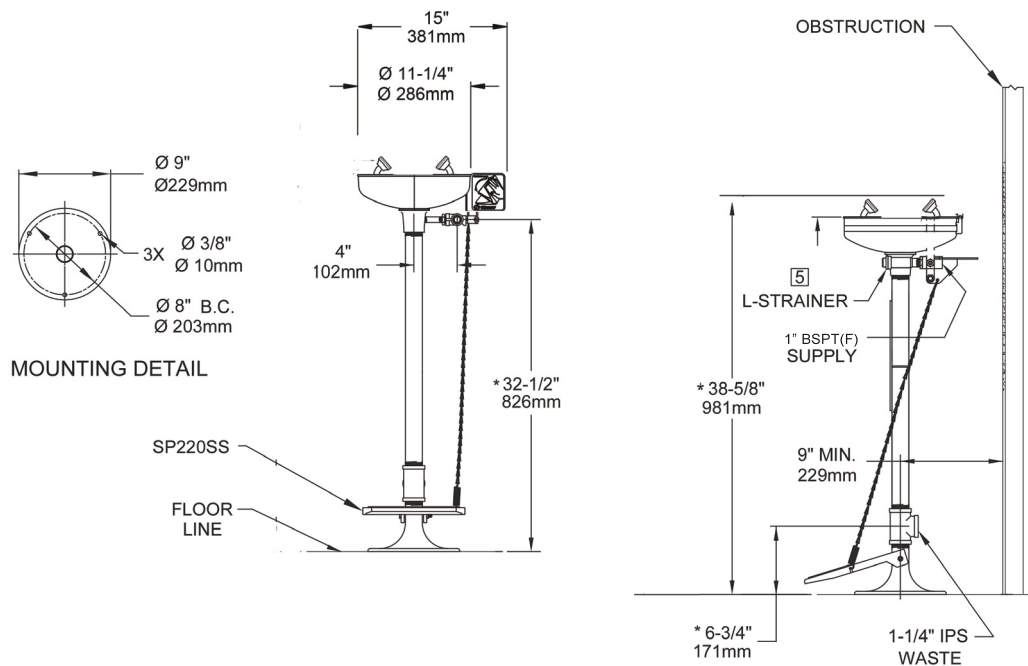


AV-175

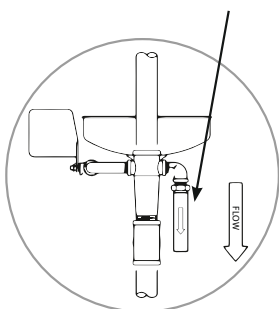


SP220

DIAGRAM



SCALD PROTECTION VALVE
OR
FREEZE PROTECTION VALVE



All Valve
INDUSTRIES

090922-00