

# WATER SERVICE BALL VALVES

20MM

# All Valve

INDUSTRIES



## CIVIL BALL VALVES FOR COLD WATER METER INSTALLATIONS

### FUNCTION AND FEATURES

#### ■ Integrated meter connection

Meter connection on valve offers an ultra compact design with no leak points.

#### ■ Quality components

High quality ball valves manufactured in Italy from DR brass and 316SS materials.

#### ■ Push fit PE connection

The pipe can be inserted into the PE connection without disassembling the fitting

#### ■ Lockable handle

The handle can be locked in the off position as required by some water authorities.

#### ■ Tamper resistant screw

Stainless steel security screws retain the handle to avoid tampering

#### ■ Metal PE clamping ring

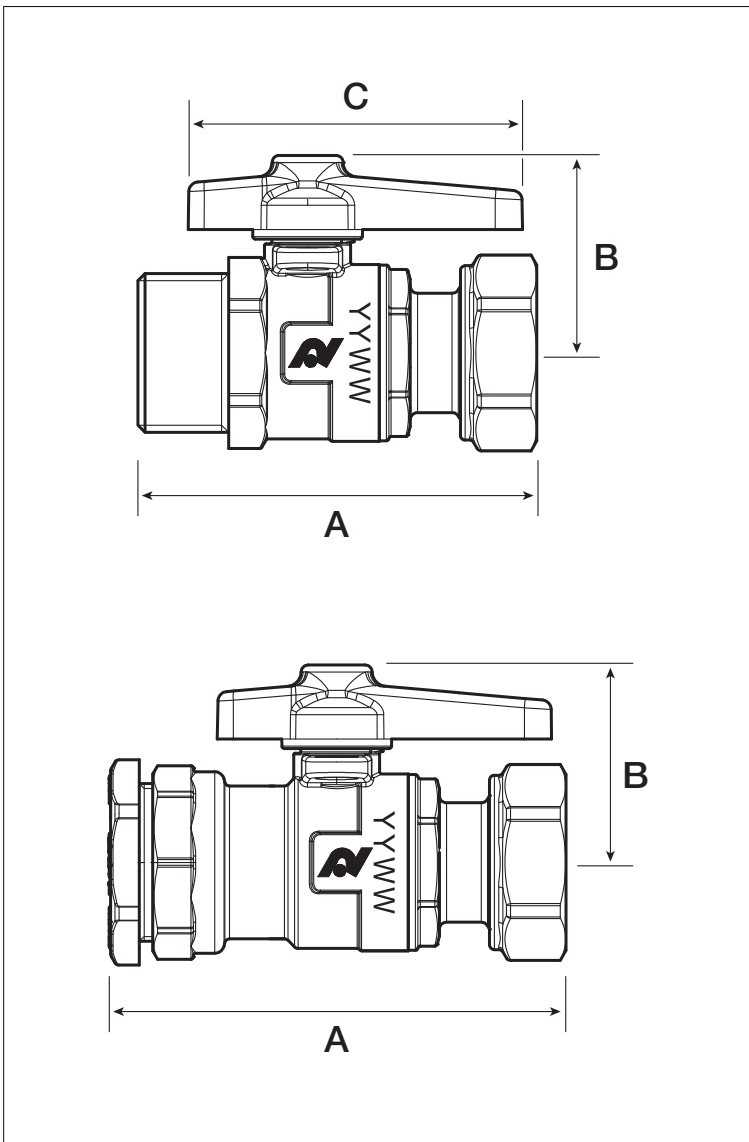
The PE pipe clamping grip ring is made of brass for a secure and reliable connection.

## PRODUCT DETAILS

The 194 series water service ball valves are designed and manufactured in Italy with high quality components. It has been Watermark and Standardsmark approved to AS4796:2016, as well as being appraised and recommended by WSAA.

The meter coupling is incorporated into the ball valve in a single piece design which means there are no unnecessary leak points. By integrating the meter coupling means the 194 series ball valves provide a compact design suitable for connecting to cold water meters in above or below ground connections, as well as in sub meter brackets in high rise buildings (see sub meter bracket assembly brochure for further details).

## DIAGRAM



### DIMENSIONS

CODE	0194A0606 (BSP)	019402506 (PE)
SIZE	DN20	DN20
A	74	85
B	41.5	41.5
C	70	70

### PERFORMANCE

MAX TEMPERATURE	60°C
MAX PRESSURE	1,600kPa
PIPE CONNECTION	20mm F BSP, or 25mm PE
METER CONNECTION	1" union (swivel nut) for gasket seat meter thread

### CODES

BSP CONNECTION	0194A0606
PE CONNECTION	019402506



290120-02