



TEMPERING VALVE

15MM - 25MM



**NOW AVAILABLE
IN 25MM**



*SOLAR HP YELLOW CAP
15 - 20MM*



*STANDARD GREY CAP
15 - 25MM*

DELIVERS SAFE TEMPERATURE HOT WATER

FUNCTION AND FEATURES

- | | |
|--------------------------------|-------------------------------------|
| ■ Compact design | ■ Standard valve rated to 85°C |
| ■ Anti-scald thermal shutoff | ■ Solar HP valve rated to 100°C |
| ■ Superior flow rates | ■ Non-return / strainer unions |
| ■ Maintain set temp to +/- 3°C | ■ Solar HP tempering valve suitable |
| ■ Made in Italy | for fluctuating supply conditions |



PRODUCT SPECIFICATIONS

The tempering valve is used to regulate the set temperature of mixed hot and cold water even when variations occur in the water supply conditions. In the event of a failure of the hot or cold supply, the piston will shut off, stopping water discharging from the mixed water outlet.

Caleffi tempering valves are compact in design with superior performance. The 5213 series grey cap tempering valve is suitable for storage hot water units. The Caleffi 2522HP series yellow cap tempering valve has been specifically designed for installation in solar hot water systems, as well as being suitable for use on instantaneous systems where supply conditions may fluctuate.

The 5213 series is now available in 25mm and features exceptional flow rates, as well as being able to temper the water down to 20°C which is particularly suited to emergency shower applications.

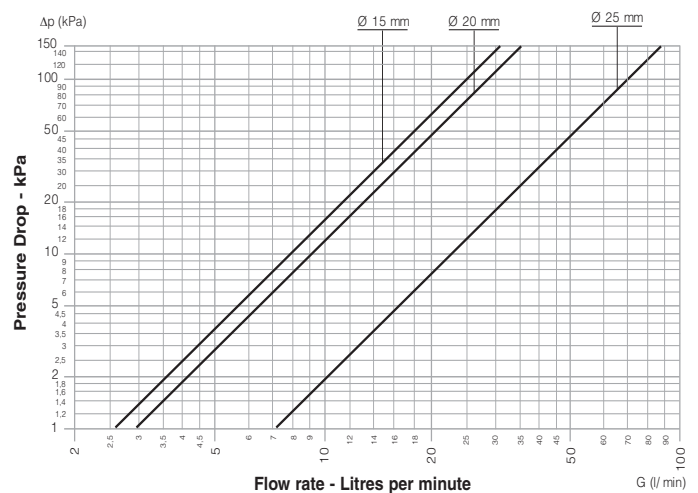
TEMPERING VALVE CODES

 STORAGE	CODE	SIZE
	521312	15mm
	521319	20mm
 SOLAR	CODE	SIZE
	252212HP	15mm
	252219HP	20mm

SPECIFICATIONS

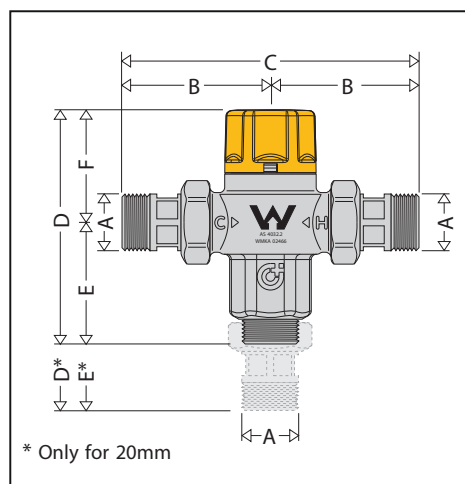
TECHNICAL SPECIFICATIONS	
TEMPERATURE RANGE	30 - 50°C 20 - 50°C (521325)
TEMPERATURE CONTROL	+/- 3°C
MAX HOT INLET TEMP (STANDARD GREY CAP)	85°C
MAX HOT INLET TEMP (SOLAR YELLOW CAP)	100°C
MAX WORKING PRESSURE (STATIC)	1400KPA
MAX WORKING PRESSURE (DYNAMIC)	500KPA
MIN WORKING PRESSURE (DYNAMIC)	20KPA
MAX UNBALANCED SUPPLY PRESSURE	6:1 2:1 (521325)
MIN TEMP DIFFERENTIAL BETWEEN HOT WATER INLET AND MIXED OUTLET	10°C
MIN TEMP DIFFERENTIAL BETWEEN MIXED WATER OUTLET AND COLD INLET	5°C
MIN FLOW RATE FOR STABLE OPERATION	4 L/MIN 6 L/MIN (521325)

PRESSURE LOSS CHART



Code	Ø (mm)	Kv (m ³ /h)
521312 AUS	15	1,5
521319 AUS	20	1,7
521325 AUS	25	4,2

DIAGRAM



CODE	521312 252212HP	521319 252219HP	521325
A	15mm	20mm	25mm
B	62.5	69	85.5
C	125	138	171
D	91	126.5	166.5
E	48.5	84	102.5
F	42.5	42.5	64



All Valve
INDUSTRIES

61118-02