



SOLAR TMV

WITH THERMAL DISINFECTION

15MM, 20MM, 25MM



NEW INTEGRATED THERMAL DISINFECTION FUNCTION STANDARD ON 15-20MM TMV'S



PROVIDES SAFE TEMPERATURE WARM WATER

FUNCTION AND FEATURES

- | | |
|---|---|
| ■ Available 15mm, 20mm, 25mm | ■ Suitable for multiple outlet applications |
| ■ Thermal disinfection (15-20mm only) | ■ Easy to service |
| ■ Hot inlet up to 100°C | ■ Superior flow rates - max 86 L/min (25mm) |
| ■ Watermarked & NSW Health Approved | ■ Superior temperature stability |
| ■ 20kPa - 500kPa dynamic pressure range | ■ 6:1 Inlet pressure ratio |

PRODUCT SPECIFICATIONS

The Caleffi 2522TMF series is a high performance thermostatic mixing valve and has been specifically designed and manufactured to meet and exceed the requirements of: "AS 4032.1". This model supercedes both the 2522TMX and 5213TMX series valves.

In certain sections of our society, there is a need to protect the most vulnerable from the danger of scalding caused by hot water. Hence, the need for thermostatic mixing valves. The Caleffi 2522TMF series provides water at a safe and usable temperature in situations where the control of the temperature of the water discharging from an outlet is of the utmost importance, i.e. within hospitals, schools, nursing homes, etc.

This valve series can be used with high temperature water in solar applications. The valve is designed to prevent the flow of water discharging from the mixed water outlet in the event of the failure of hot or cold supply. The valve is supplied complete with strainer and check valve at both hot and cold inlets.

THERMAL DISINFECTION

The OVERRIDE function (15mm & 20mm only) allows to perform thermal disinfection against Legionella using a special tool. The special tool lifts the spindle which disengages the thermostatic cartridge. The hot water from the network is thereby delivered through the mix outlet port to the user. Releasing the spindle restores the TMV to its preset temperature.



THERMOSTATIC MIXING VALVE 15MM

CODE	CONN.
252212TMF	15mm



THERMOSTATIC MIXING VALVE 20MM

CODE	CONN.
252219TMF	20mm



THERMOSTATIC MIXING VALVE 25MM

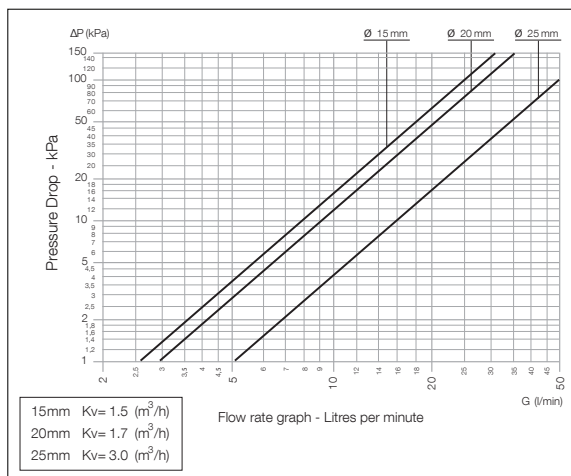
CODE	CONN.
252225TM	25mm



* isolating valves not included
* no thermal disinfection feature



PRESSURE LOSS CHART

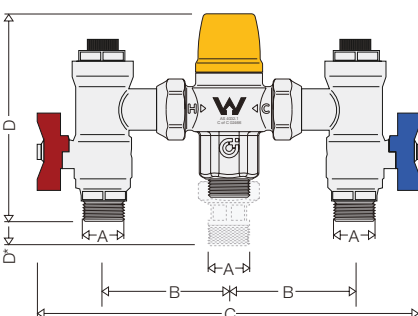


TECHNICAL SPECIFICATIONS

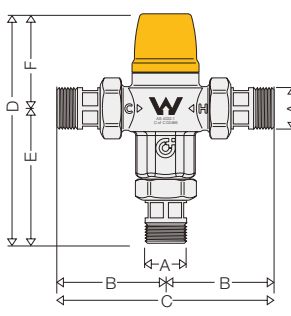
TEMPERATURE ADJUSTMENT RANGE	30-50°C
TEMPERATURE CONTROL	± 2°C
COLD INLET TEMPERATURE RANGE	5-30°C
HOT INLET TEMPERATURE RANGE	55-100°C
MAXIMUM WORKING PRESSURE (STATIC)	1400kPa
DYNAMIC PRESSURE RANGE	20-500kPa
MAXIMUM UNBALANCED SUPPLY PRESSURE	6:1
MINIMUM FLOW RATE	4 l/min

DIAGRAM

252212TMF, 252219TMF



252225TM



* Only for 252219TMF & 252225TM

CODE	252212TMF	252219TMF	252225TM
A	15mm	20mm	25mm
B	62	76	85.5
C	198	237.5	171
D	115	144	166.5
E			102.5
F			64



All Valve
INDUSTRIES

060217-01

WE RESERVE THE RIGHT TO CHANGE OUR PRODUCTS AND THEIR RELEVANT TECHNICAL DATA, CONTAINED IN THIS PUBLICATION, AT ANY TIME AND WITHOUT PRIOR NOTICE.

All Valve Industries Pty Ltd. · Unit 2, 18-28 Sir Joseph Banks Drive
Kurnell NSW 2231 · Ph: +61 2 8543 9811 · Fax: +61 2 8543 9822
www.allvalve.com.au · info@allvalve.com.au · © Copyright 2017