



AUTOMATIC AIR VENT

CALEFFI
Hydronic Solutions



AUTOMATICALLY VENTS AIR FROM THE SYSTEM

FUNCTION AND FEATURES

- | | |
|-------------------------------------|---|
| ■ Compact design | ■ Dry obturator mechanism to prevent clogging |
| ■ Solar version AS4020 approved | ■ Anti-rotation float mechanism |
| ■ Solar version rated to 180°C | ■ Shut-off valve options for easy service |
| ■ Used at highest point to vent air | ■ Anti-suction cap option |

PRODUCT RANGE - AUTOMATIC AIR VENTS

These automatic air vents eliminate residual air in heating and air conditioning systems without the need for manual intervention. This prevents undesired noise, wear of devices in the circuits and inefficient performance of heating units.

SOLAR AUTO AIR VENT		STANDARD AUTO AIR VENT		CODE	DESCRIPTION	
	CODE	CONN.		CODE	DESCRIPTION	
	250032	10mm		502630	10mm	R29284 10mm Solar Ball Valve for isolation
				502640	15mm	562200 Anti-suction cap (5026 only)
						561 Auto shutoff (5026 only)

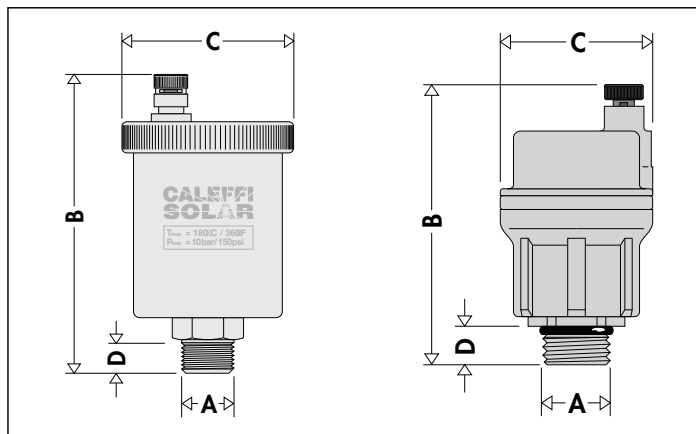


PERFORMANCE

*

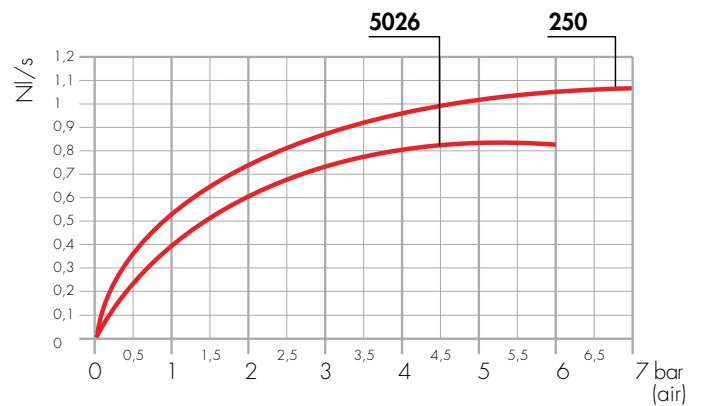
MAX WORKING PRESSURE	1,000 kPa
MAX VENTING PRESSURE	500 kPa
MAX TEMPERATURE RATING (250 SERIES SOLAR)	180°C
MAX TEMPERATURE RATING (502 SERIES STANDARD)	115°C

DIAGRAM

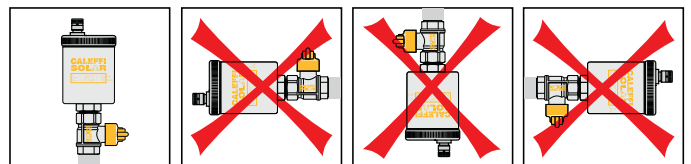


CODE	250032	502630	502640
A	10mm	10mm	15mm
B	97	77	77
C	Ø 55	Ø 40	Ø 40
D	11	10	10
WEIGHT	0.32	0.15	0.16

FLOW CHART



INSTALLATION



All Valve
INDUSTRIES

0350913AUS

WE RESERVE THE RIGHT TO CHANGE OUR PRODUCTS AND THEIR RELEVANT TECHNICAL DATA, CONTAINED IN THIS PUBLICATION, AT ANY TIME AND WITHOUT PRIOR NOTICE.

All Valve industries Pty Ltd. · Unit 2, 18-28 Sir Joseph Banks Drive
Kurnell NSW 2231 · Ph: +61 2 8543 9811 · Fax: +61 2 8543 9822
www.allvalve.com.au · info@allvalve.com.au · © Copyright 2013