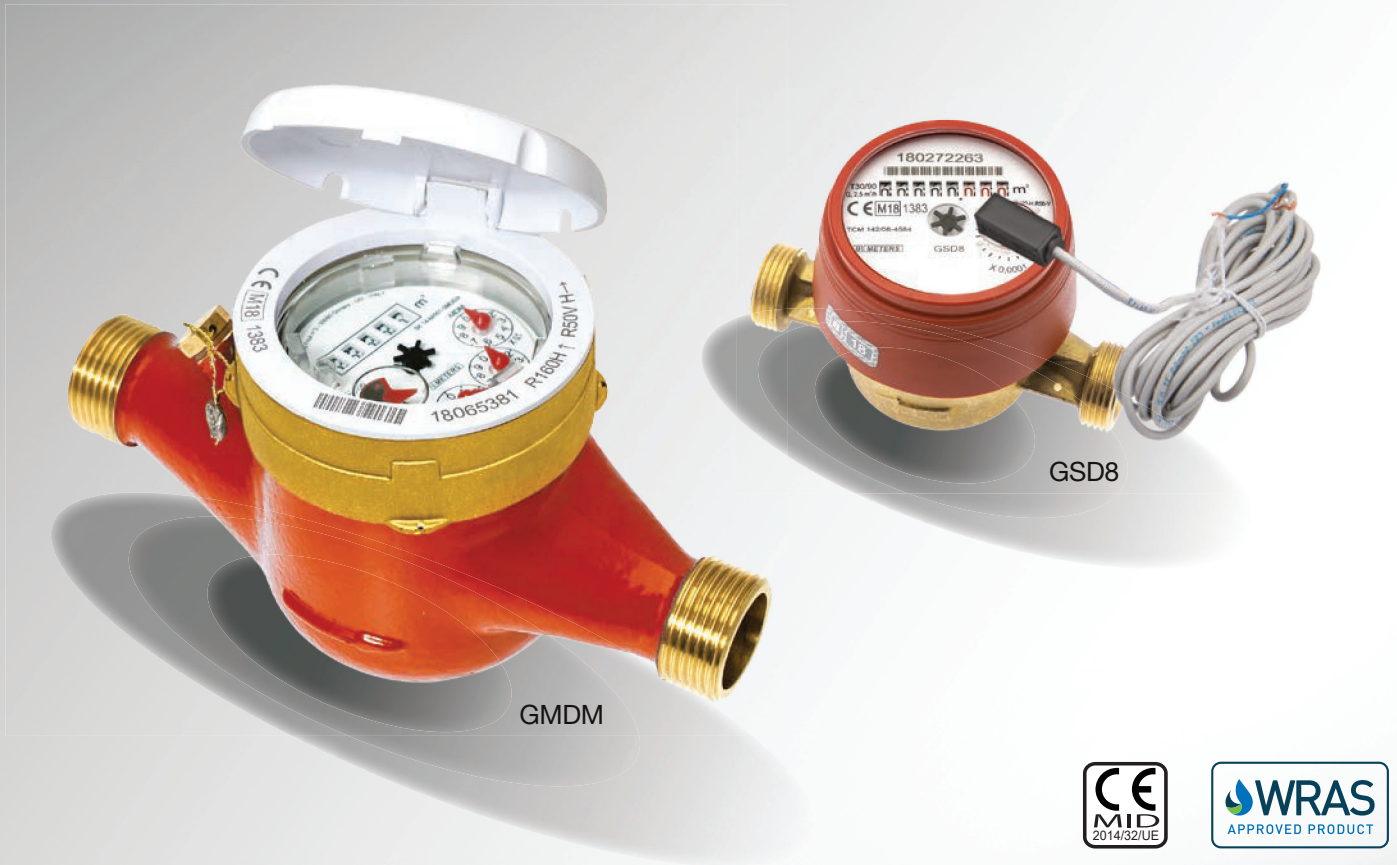


HOT WATER METER

20MM - 50MM



NON-WATERMARK APPROVED

HOT WATER METER WITH PULSE OUTPUT CAPABILITY

FUNCTION AND FEATURES

- | | |
|---|--|
| <ul style="list-style-type: none"> ■ Single Jet or Multi Jet
Single jet meter available in 20mm.
Multi-jet meter available from 20mm to 50mm. | <ul style="list-style-type: none"> ■ 360° rotating dial (GSD)
GSD series features a 360° rotation for ease of reading. |
| <ul style="list-style-type: none"> ■ Non return valve
A single check valve is included as standard with all sizes, except DN32 & DN50. | <ul style="list-style-type: none"> ■ Super dry dial
Hermetically sealed reading mechanism provides reliable meter performance. |
| <ul style="list-style-type: none"> ■ Pulse output
A pulse output cable is included as standard for the GSD8 and is optional for the GMDM series. | <ul style="list-style-type: none"> ■ Couplings included
Meter coupling tails are included as standard with all water meters. |

PRODUCT SPECIFICATIONS

The GMDM series is a hot water multi-jet meter available from 20mm to 50mm. It features a dry dial and magnetic transmission with 360° rotating lid. An optional pulse output is available with programmable pulse weight. The GMDM is also capable of utilising an optional M-BUS wired, M-BUS wireless or LoRaWAN communication module.

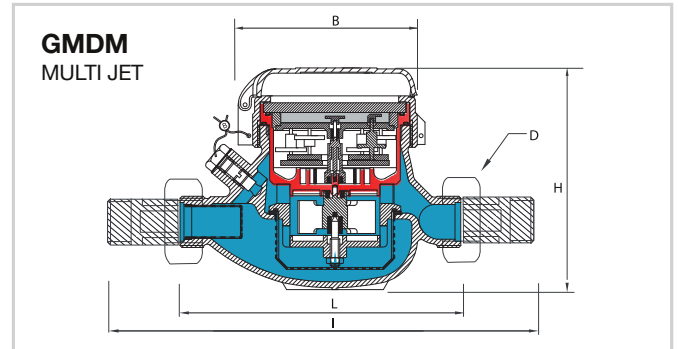
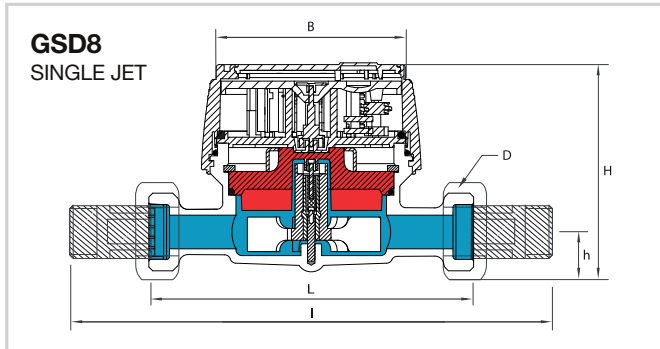
The GSD8 series is a hot water single-jet meter available in 20mm only. It features a dry dial with direct reading on 8 numerical rolls and is supplied standard with a pulse output cable with 1L / pulse. Other M-BUS communication modules available upon request.

The meters are supplied with meter couplings and a non-return valve as standard, except the 32 and 50mm size which does not come with a non-return valve.

The GSD8 and GMDM series hot water meters are WRAS and MID Approved MI00, as well as ISO 4064 and OIML R49 compliant. They are not Watermark approved. For a Watermark approved hot water meter, only a 15mm size is available. Please see separate GSD5 brochure for details on this product.

Water meters are sensitive measuring devices and should be protected against frost, direct sunlight and should be installed in dry places. It is necessary to protect them against shocks and vibrations and that they are not subjected to hydraulic effects such as changes in pressure or water hammer.

DIAGRAM



	GSD8		GMDM			
SIZE	DN20	DN20	DN25	DN32	DN40	DN50
PART	GSD8-I 3/4 AC	GMDM-I 3/4 AC	GMDM-I 1 AC	GMDM-I 1-1/4 AC	GMDM-I 1-1/2 AC	GMDM-I 2 AC
L (mm)	130	190	260	260	300	300
l (mm)	228	288	360	380	440	460
H (mm)	73	111	117	117	153	172
h (mm)	18					
B (mm)	74	100	104	104	126	160
D (in)	1"	1"	1-1/4"	1-1/2"	2"	2-1/2"
WEIGHT	0.85 kg	1.4 kg	2.09 kg	2.18 kg	4.38 kg	4.46 kg

PULSE OUTPUT DEVICE

The GMDM multi-jet meter has an optional battery operated non-magnetic pulse output module for incremental/decremental counting. It allows the acquisition of the consumption of the counter by third-party systems with a universal interface and integrating advanced counting functions and fraud detections.



* GSD8 comes with REED pulse device as standard. Other communication devices available upon request.

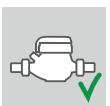
SPECIFICATIONS		DN20	DN25	DN32	DN40	DN50
OVERLOAD FLOWRATE Q4 (M3/H)		5	7.875	12.5	20	31.25
MAX CONTINUOUS FLOWRATE Q3 (M3/H)		4	6.3	10	16	25
TRANSITIONAL FLOWRATE Q2 (L/H)	R=100 H ↑	64	100.8	160	256	400
MINIMUM FLOWRATE Q1 (L/H)		40	63	100	160	250
TRANSITIONAL FLOWRATE Q2 (L/H)	R=50V H ↑	128	201.6	320	512	800
MINIMUM FLOWRATE Q1 (L/H)		80	126	200	320	500
TEMPERATURE RANGE (HOT)		30 - 90 °C				
MAX ADMISSIBLE PRESSURE		1600 kPa				

METER COUPLINGS

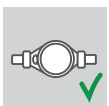
Meter coupling connectors are supplied as standard with all sizes 20mm - 50mm.



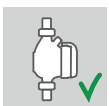
INSTALLATION POSITION



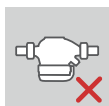
R=100 H ↑



R=50H →



R=50V



140421-00