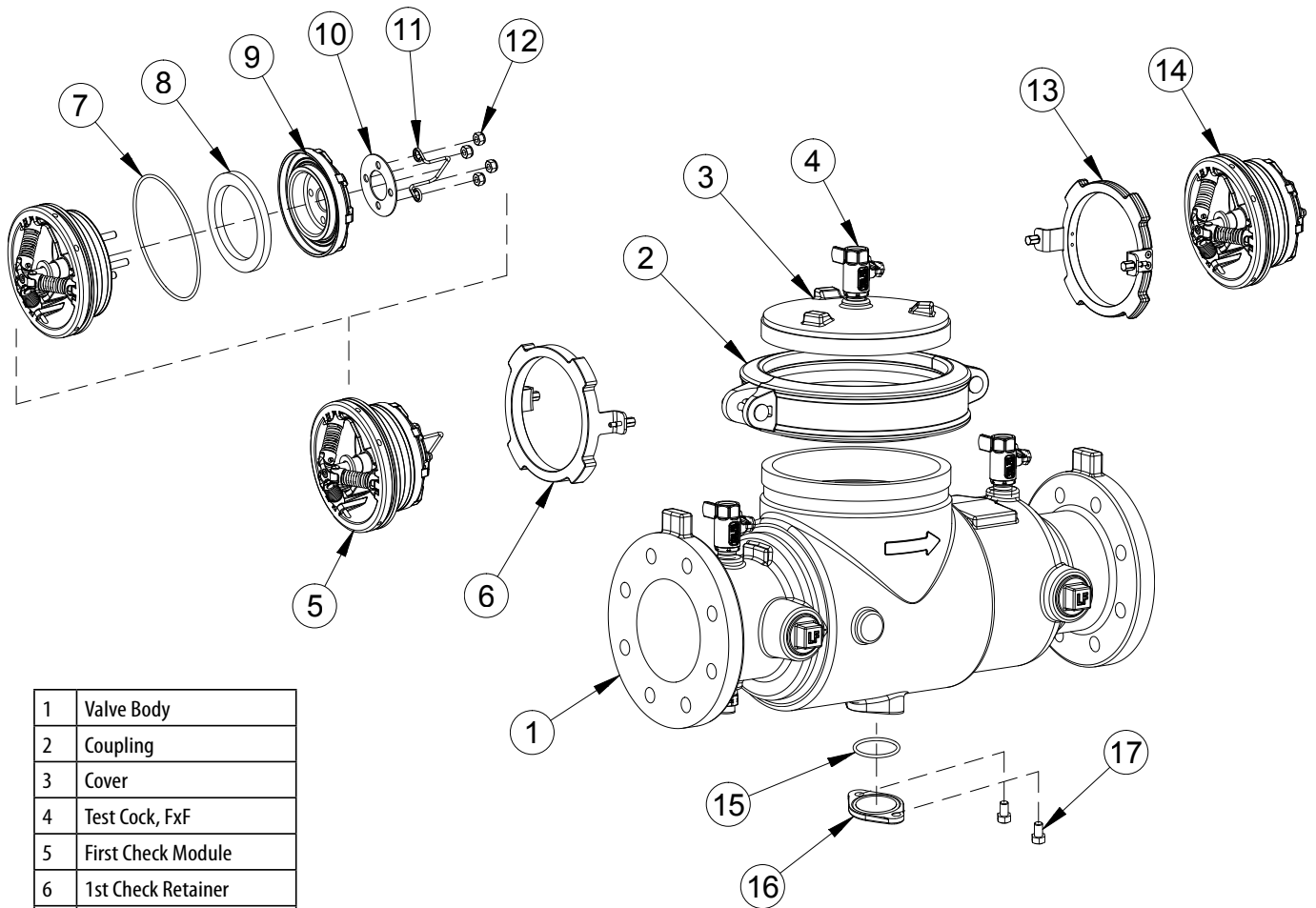


BACKFLOW PREVENTION CATALOGUE

4A-100 DCV 65-150mm Repair Kits

4A-100 DCV APOLLO

Size	65 - 80mm	100mm	150mm
RPZ / DCV Check Rubber Repair Kit (single) 7, 8, 15	4A00001	4A00A01	4A00C01
DCV 1st Check Module 5	4A00000	4A00A00	4A00C00
RPZ / DCV 2nd Check Module 14	4A00002	4A00A02	4A00C02



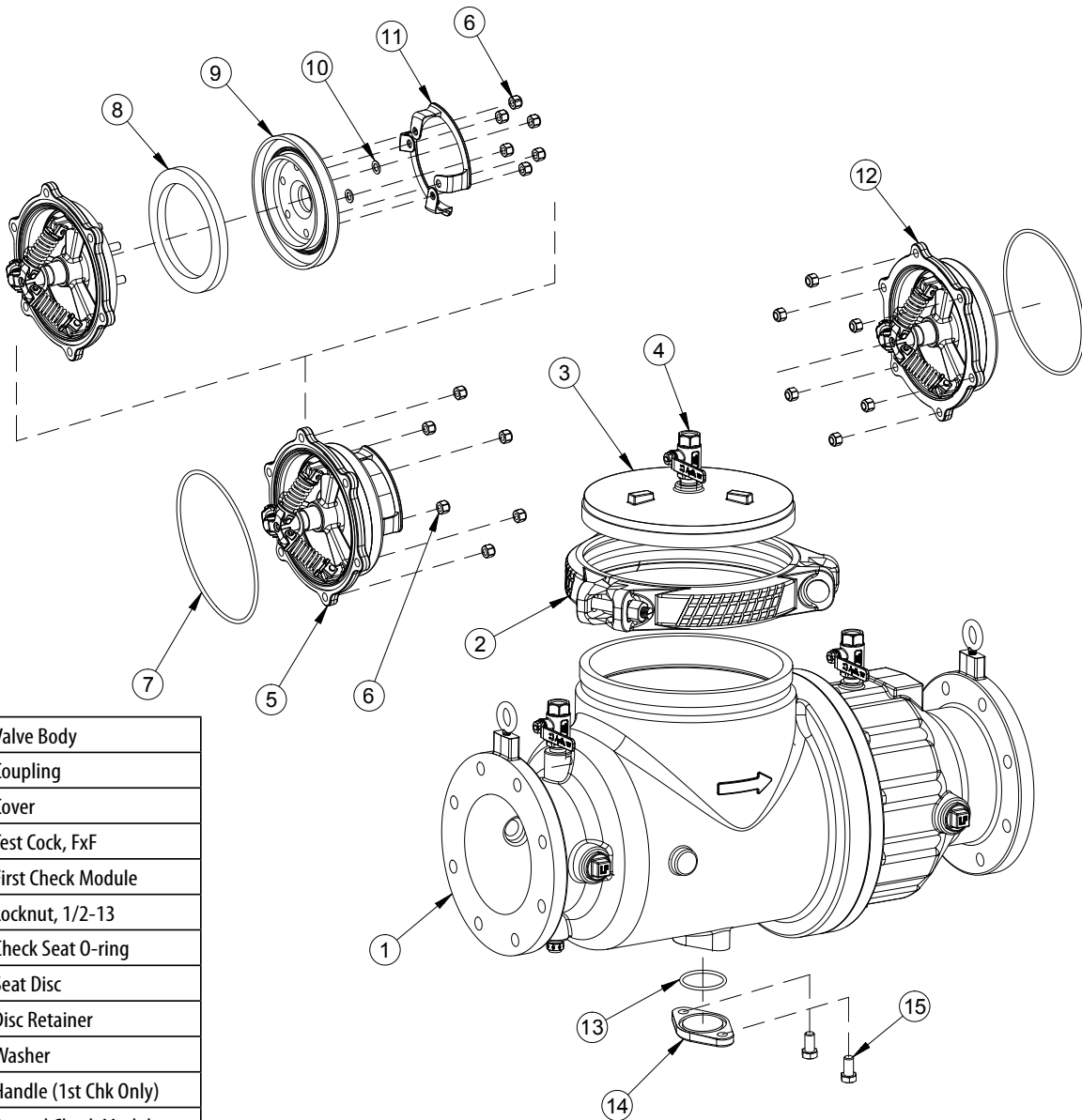
1	Valve Body
2	Coupling
3	Cover
4	Test Cock, FxF
5	First Check Module
6	1st Check Retainer
7	Check Seat O-ring
8	Seat Disc
9	Disc Retainer
10	Washer
11	Handle (1st Chk Only)
12	Locknut
13	2nd Check Retainer
14	Second Check Module
15	O-ring, RV Port
16	RV Port Cover
17	Screw, 3/8-16 x .63"

BACKFLOW PREVENTION CATALOGUE

4A-100 DCV 200-250mm Repair Kits

4A-100 DCV APOLLO

Size	200mm	250mm
RPZ / DCV Check Rubber Repair Kit (single) 7, 8, 13	4A00E01	4A00H01
DCV 1st Check Module 5, 7	4A00E00	4A00H00
RPZ / DCV 2nd Check Module 12, 7	4A00E02	4A00H02



1	Valve Body
2	Coupling
3	Cover
4	Test Cock, FxF
5	First Check Module
6	Locknut, 1/2-13
7	Check Seat O-ring
8	Seat Disc
9	Disc Retainer
10	Washer
11	Handle (1st Chk Only)
12	Second Check Module
13	O-ring, RV Port
14	RV Port Cover
15	Screw, 5/8-11 x 1.25"