



AVK SWING CHECK VALVE, RESILIENT SEATED

41/81-001

Free Acting, AS/NZS 4087 B5, PN16, DN80-DN300

AVK series 41 swing check valve with resilient seat, for use in pumping applications to prevent back flow. The valves are suitable for drinking water and waste water applications. The disc is connected to the shaft via a flexible bush which allows the rubber disc and valve seat to perfectly align provide optimum sealing performance. All interior parts are stainless steel or coated with drinking water approved epoxy coating or EPDM rubber. The series 41 valves are available in many configurations, including closed bushing, free acting or with a lever and weight to mitigate pressure surges.

Product description:

Check valve for water and other neutral liquids to max. 60°C

Standards:

- Designed to: AS 4794
- Face to face: AS 4794
- Flange drilling to AS/NZS 4087 B5

Test/Approvals:

- Production test according to AS 4794: Body 1.5 x PN, Seat 1 x PN, Sensivity 70kPa.
- StandardsMark approved to AS 4794
- WaterMark approved to AS 4794

Features:

- Resilient seat provides a drip tight closure and with the light weight disc assembly requires minimal force to open/close
- Ductile iron disc is fully vulcanised with EPDM rubber
- Shaft is fitted in the bonnet allowing maintenance to occur without removing the valve from the pipeline
- Suitable for horizontal and vertical installation
- Full bore with low head loss
- Bonnet gasket sits in a recessed groove between bonnet and body preventing blow-out
- Bosses on the valve body allow for installation of pressure gauge, by-pass, guard etc.
- Blue fusion bonded epoxy according to AS/NZS 4158
- Potable Water approved to AS/NZS 4020

Accessories:

- Lever and Weight
- Limit/Proximity Switch and Cam
- Safety Protection Guard according to AS/NZS 4024



Expect ... **AVR**

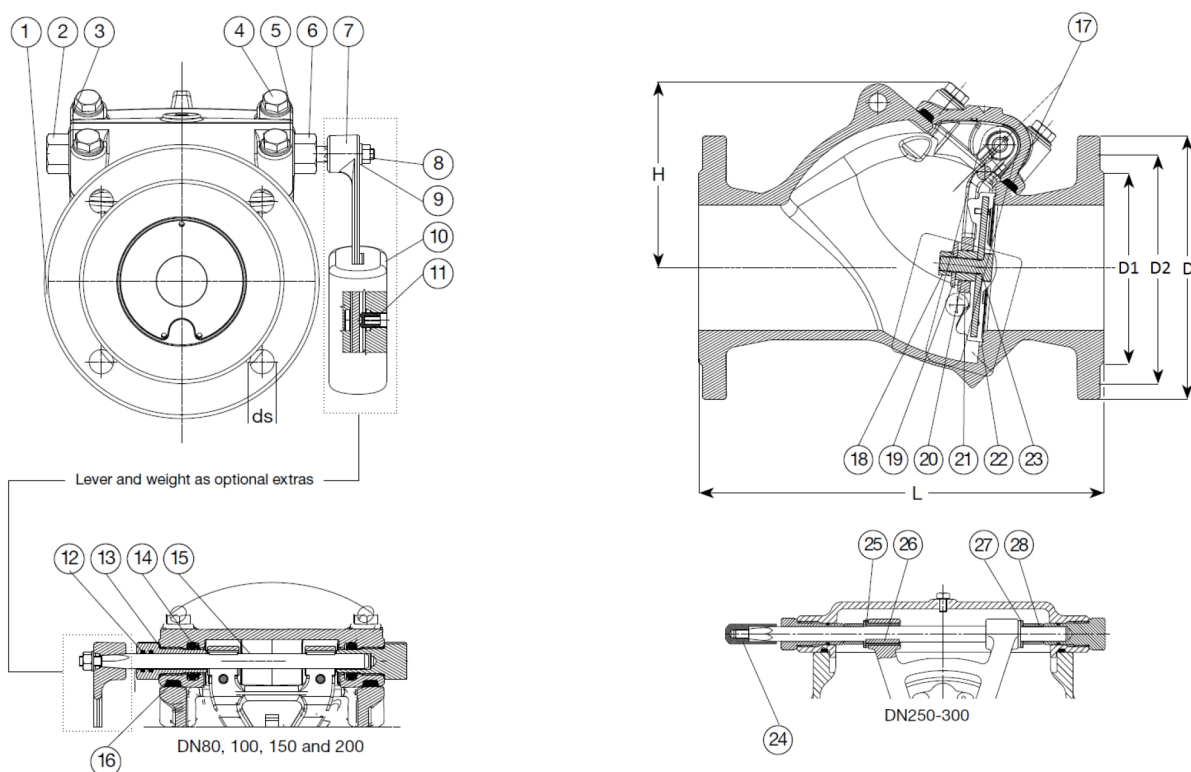


The designs, materials and specifications shown are subject to change without notice. This is due to the continuous development of our product range.

AVK SWING CHECK VALVE, RESILIENT SEATED

41/81-001

Free Acting, AS/NZS 4087 B5, PN16, DN80-DN300



Component list:

1. Body	Ductile iron GJS-500-7	15. Shaft	Stainless steel 1.4057 (431)
2. Bushing, closed	Copper alloy	16. Bonnet gasket	EPDM rubber
3. Bonnet	Ductile iron GJS-500-7	17. Tab washer	Stainless steel 316
4. Hex socket head screw	Stainless steel A4	18. Nut	Stainless steel 316
5. Washer	Stainless steel A4	19. Washer	Stainless steel A4
6. Bushing, open	Copper alloy	20. Bushing	Copper alloy
7. Lever	Ductile iron GJS-500-7	21. Hinge	Stainless steel 316
8. Nut	Stainless steel 316	22. Rubber ring	EPDM rubber
9. Washer	Stainless steel A4	23. Hex socket head screw	Stainless steel A4
10. Weight	Ductile iron GJS-500-7	24. Shaft protector	Copper alloy
11. Grub screw	Stainless steel 316	25. Connector	Stainless steel 316
12. O-ring	NBR rubber	26. Key	Stainless steel 316
13. O-ring	NBR rubber	27. Retaining washer	Stainless steel 316
14. O-ring	NBR rubber	28. Spacer	Stainless steel 316

Components may be substituted with equivalent or higher class materials without prior notification.

Reference nos. and dimensions:

AVK ref. no.	DN	D	D1	D2	Ds	H	L	Theoretical weight / kg
	mm	mm	mm	mm	mm	mm	mm	
41-080-81-0271206	80	185	122	146	18	140	260	15.65
41-100-81-0271206	100	215	154	178	18	150	330	22.25
41-150-81-0271206	150	280	209	235	18	195	410	48.55
41-200-81-0271206	200	335	264	292	18	230	540	79.95
41-250-81-0271206	250	405	328	356	22	270	640	199.05
41-300-81-0271206	300	455	376	406	22	300	700	248.25

The designs, materials and specifications shown are subject to change without notice. This is due to the continuous development of our product range.