

# W35

## Watermark Normally Closed Solenoid Valve

### Features:

- Size 1/2" to 2" BSP
- Function Normally Closed (power to open)
- Valve Operation Servo Assisted
- Body 316 Stainless Steel
- Seat EPDM
- Pressure Range 0.25 to 16 BAR
- Media Potable Water

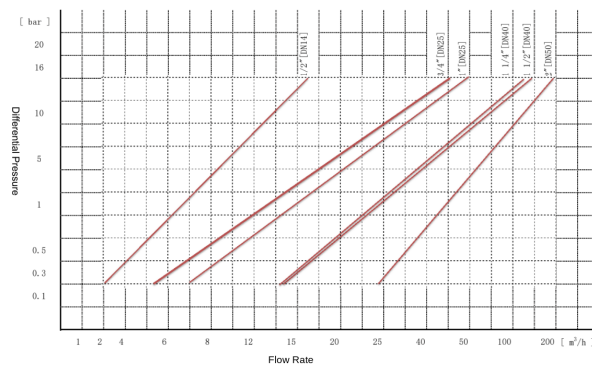


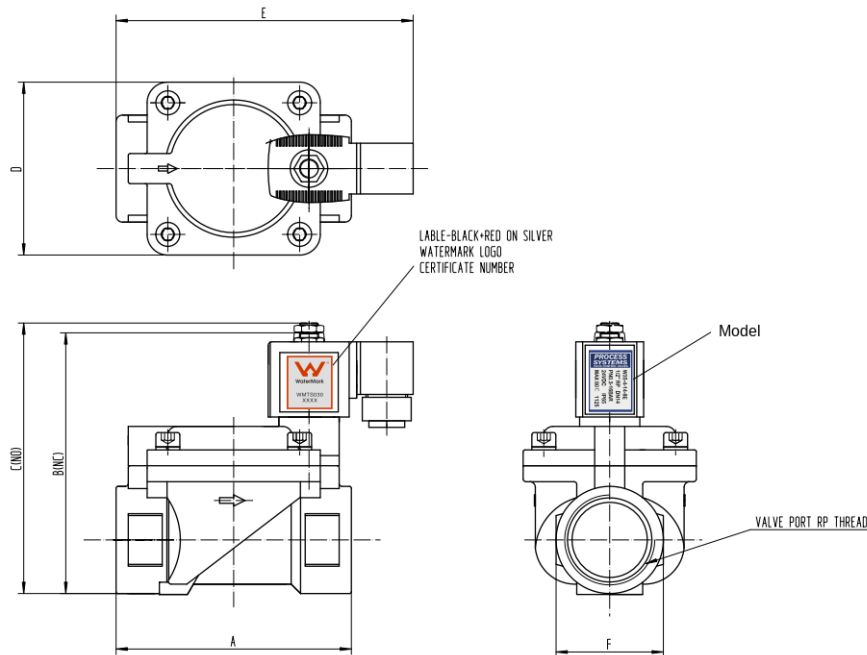
### Description:

A 316 Stainless Steel Normally Closed (power to open) Watermark approved solenoid valve. Great for potable water or any application where watermark approval is required (mains water in Australia). Comes with IP65 weather proof LED illuminated din plug and coil. Has a low pressure differential required making it suitable for applications such as rain water switch over and has a soft close design. Watermark Approval Licence Number WMK 26321 approved to WMTS 030:2016 - Solenoid Valves.

Model	Port Size (BSP)	Orifice ømm	CV	Pressure (BAR)	Media Temp	Coil Specifications
W35-4-14-*E	1/2	14	5	0.25 to 16 BAR	-10°C to 80°C	<a href="#">SC-N14</a> 16 Watts 27 Volta Amps Class H Insulation 100% Ed
W35-5-20-*E	3/4	20	10	0.25 to 16 BAR	-10°C to 80°C	
W35-6-25-*E	1	25	11	0.25 to 16 BAR	-10°C to 80°C	
W35-7-40-*E	1 ¼	40	28	0.7 to 16 BAR	-10°C to 80°C	<a href="#">SC-N14.5</a> 18 Watts 25 Volt Amps Class H Insulation 100% Ed
W35-8-40-*E	1 ½	40	34	0.7 to 16 BAR	-10°C to 80°C	
W35-9-50-*E	2	50	50	0.7 to 16 BAR	-10°C to 80°C	

\*Voltages available; 12vDC, 24vDC, 24vAC, 110vAC, 240vAC, 415vAC



**Dimensions:**

Model	Port Size (Rp)	Orifice	A	B	D	E	F
W35-4-14-*E	1/2"	14	65	102.5	40	104	27
W35-5-20-*E	3/4"	20	92	120	60	129	40
W35-6-25-*E	1"	25	92	120	60	129	40
W35-7-40-*E	1 1/4"	40	125	142.5	92	158	57
W35-8-40-*E	1 1/2"	40	125	142.5	92	158	57
W35-9-50-*E	2"	50	150	160	108.5	179	70

All dimensions in mm unless shown otherwise.

**WARNING**

These products are intended for use in industrial applications only. Do not use these products where pressures and temperatures can exceed those listed under 'Technical Data' and in our individual 'Series' data sheets. Before using these products with fluids other than those specified, for non-industrial applications, life-support systems, or other applications not within published specifications, consult Process Systems Pty Ltd. Through misuse, age, or malfunction, components used in industrial valve applications can fail in various modes. The system designer is warned to consider the failure modes of all component parts used in industrial valve applications and to provide adequate safeguards to prevent personal injury or damage to equipment in the event of such failure. System designers must provide a warning to the user in the system instructional manual if protection against a failure mode cannot be adequately provided. System designers and end users are cautioned to review specific warnings or specifications found in instruction sheets or labels packed or attached and shipped with the products. Our policy is one of continuous research and development. We therefore reserve the right to amend without notice the specifications given in this document or our individual 'Series' data sheets.

**WARRANTY INFORMATION**

All valve series and other products manufactured or distributed by Process Systems Pty. Ltd. are warranted by Process Systems to be free of defects in material and workmanship for a period of 1 year from the date of purchase or as the manufacturer warrants. Process Systems' obligation under this warranty is limited to repair or replacement of the defective product or refund of the purchase price paid solely at the discretion of Process Systems and provided such defective product is returned to Process Systems freight prepaid and upon examination by Process Systems such product is found defective. This warranty shall be void in the event that the product has been subject to misuse, misapplication, improper maintenance, modification or tampering. This warranty is expressed in lieu of all other warranties, expressed or implied from Process Systems Pty. Ltd. representatives or employees. Process Systems reserves the right to change Valve and Brochure specifications without notice.