



## AVK RESILIENT SEAT GATE VALVE PN16

57/90

To AS 2638.2, reduced weight and environmentally friendly  
 Stem sealing exchangeable under pressure  
 Face to face dimension to AS 2638.2  
 Flange and drilling to AS 4087 Figure B5 (AS 2129 Table D and raised face) or AS 2129 Table E and raised face

### Use:

- For water, sewage and neutral liquid applications
  - Valve designed for use up to 70°C
  - Where applicable; for AS 4020 compliance, max temp = 40°C
- Note: Always observe pipe material recommended operating temperatures

### Tests:

- Hydraulic test to AS 2638.2:
  - Seat: 17.6 bar
  - Body: 24 bar
  - Operating torque test

### Optional Extras:

- Handwheel (refer to series 57/98)
- NBR wedge



Quality  
ISO 9001  
SAI GLOBAL



Health & Safety  
AS 4801  
SAI GLOBAL



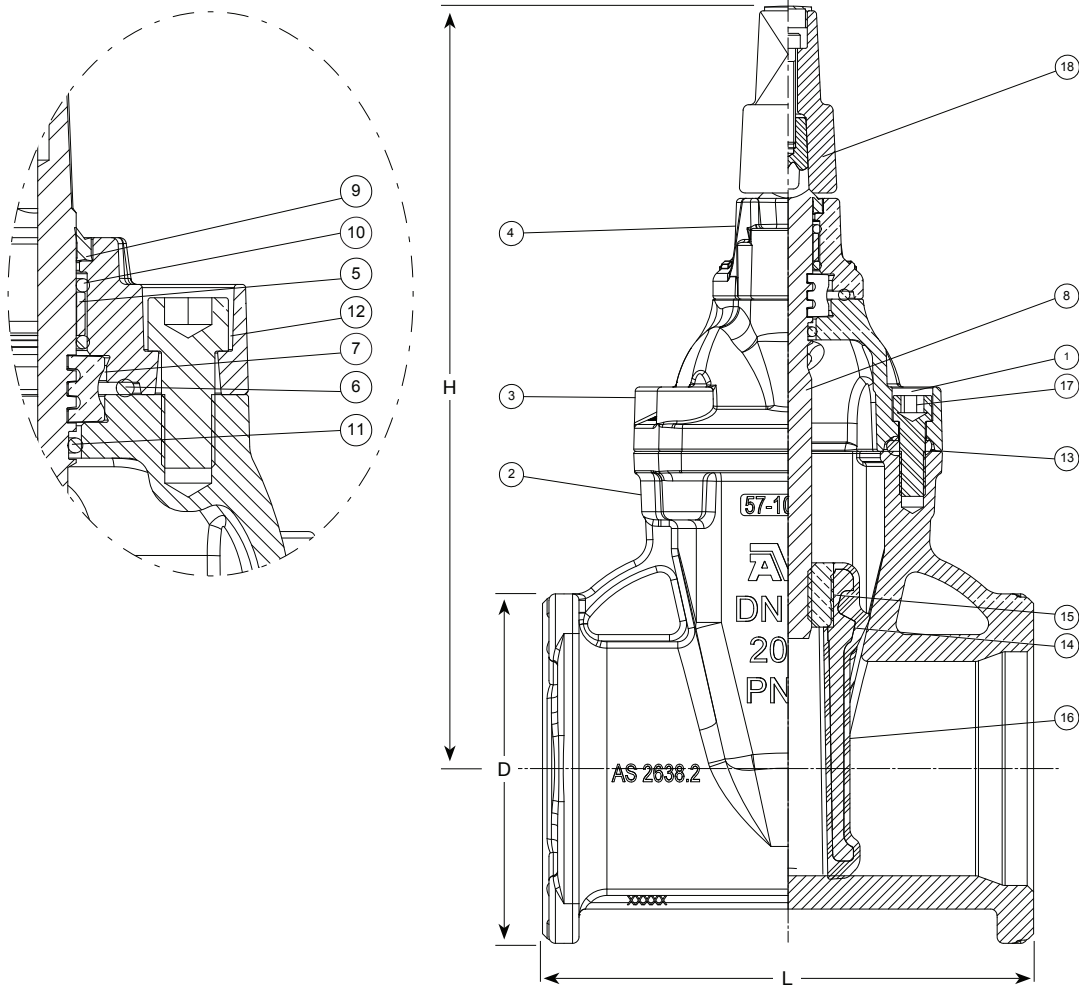
Environment  
ISO 14001  
SAI GLOBAL



Australian  
Standard  
AS2638.2  
Lic. SMK02420  
SAI Global  
WaterMark



Expect... **AVK**



**Component list**

1. Hot melt seal		11. O-ring	NBR
2. Body	Ductile Iron, 500-7 to AS 1831	12. Bolt socket	Grade 8.8 Galvanised, fully encapsulated with hot melt glue
3. Bonnet	Ductile Iron, 500-7 to AS 1831	13. Bonnet gasket	EPDM Rubber
4. Gland flange	Ductile Iron, 500-7 to AS 1831	14. Wedge	Ductile Iron, 500-7 to AS 1831
5. Bushing	Polyamid	15. Wedge nut	Dezincification resistant brass, CZ 132 to AS 2345
6. O-ring	NBR	16. Wedge rubber	EPDM
7. Thrust collar	Dezincification resistant brass, CZ 132 to AS 2345	17. Bolt socket	Grade 8.8, fully encapsulated with hot melt glue
8. Stem	Stainless Steel 431	18. Stem cap	Ductile Iron, 400-12 to AS 1831
9. Wiper ring	NBR		
10. O-ring	NBR		

Components can be substituted with equivalent or higher class materials.

**Reference nos. and dimensions - Flange drilling to AS 4087 Figure B5 (AS 2129 Table D)**

AVK ref. nos. CC	AVK ref. nos. ACC	DN mm	L mm	H mm	D mm	Hole OD mm	Holes nos.	Bolt PCD	Weight kg
57-050-902543120	57-050-903543120	50*	178	329	165	18.5	4	114	18
57-065-902543120	57-065-903543120	65*	190	335	185	18.5	4	127	18.5
	Refer 570/90 Datasheet	80							
	Refer 570/90 Datasheet	100							
	Refer 570/90 Datasheet	150							
	Refer 570/90 Datasheet	200							
57-225-902543120	57-225-903543120	225	305	651	370	18.5	8	324	90
57-250-902543120	57-250-903543120	250	330	662	405	22.5	8	356	98
57-300-902543120	57-300-903543120	300	356	730	455	22.5	12	406	139
	Refer 57/40 Datasheet	375							
	Refer 57/40 Datasheet	400							

\* Not specified in AS 2638.2

**Reference nos. and dimensions - Flange drilling to AS 2129 Table E**

AVK ref. nos. CC	AVK ref. nos. ACC	DN mm	L mm	H mm	D mm	Hold OD mm	Holes nos.	Bolt PCD	Weight kilos
57-050-902543120	57-050-903543120	50*	178	329	165	18.5	4	114	18
57-065-902543120	57-065-903543120	65*	190	335	185	18.5	4	127	18.5
Refer 570/90 Datasheet		80							
57-100-902643120	57-100-903643120	100	229	380	215	18.5	8	178	20
Refer 570/90 Datasheet		150							
Refer 570/90 Datasheet		200							
57-225-902643120	57-225-903643120	225	305	651	370	22.5	12	324	90
57-250-902643120	57-250-903643120	250	330	662	405	22.5	12	356	98
57-300-902643120	57-300-903643120	300	356	730	455	26.5	12	406	139
Refer 57/40 Datasheet			375						
Refer 57/40 Datasheet			400						

\* Not specified in AS 2638.2

**Reference nos. and dimensions - NBR wedge & bonnet gasket  
Flange drilling to AS 4087 Figure B5 (AS 2129 Table D)**

AVK ref. nos. CC	AVK ref. nos. ACC	DN mm	L mm	H mm	D mm	Hole OD mm	Holes nos.	Bolt PCD	Weight kilos
57-080-902533120	57-080-903533120	80*	203	345	185	18.5	4	146	19
57-100-902533120	57-100-903533120	100*	229	380	215	18.5	4	178	20
57-150-902533120	57-150-903533120	150*	267	474	280	18.5	8	235	38
57-200-902533120	57-200-903533120	200*	292	574	335	18.5	8	292	70

\* Not specified in AS 2638.2

**Reference nos. and dimensions - NBR wedge & bonnet gasket  
Flange drilling to AS 2129 Table E**

AVK ref. nos. CC	AVK ref. nos. ACC	DN mm	L mm	H mm	D mm	Hole OD mm	Holes nos.	Bolt PCD	Weight kilos
57-080-902533120	57-080-903533120	80*	203	345	185	18.5	4	146	19
57-100-902633120	57-100-903633120	100*	229	380	215	18.5	8	178	20
57-150-902633120	57-150-903633120	150*	267	474	280	22.5	8	235	38
57-200-902633120	57-200-903633120	200*	292	574	335	22.5	8	292	70

\* Not specified in AS 2638.2