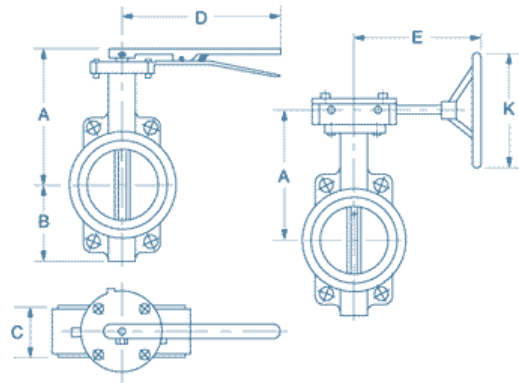


WAFER Butterfly Valve

Soft Sealing Epoxy Coated



BODY : CAST IRON
 SHAFT : STAINLESS STEEL
 DISC : STAINLESS STEEL
 BUSHINGS : PTFE
 LINER : EPDM
 O-RING : EPDM



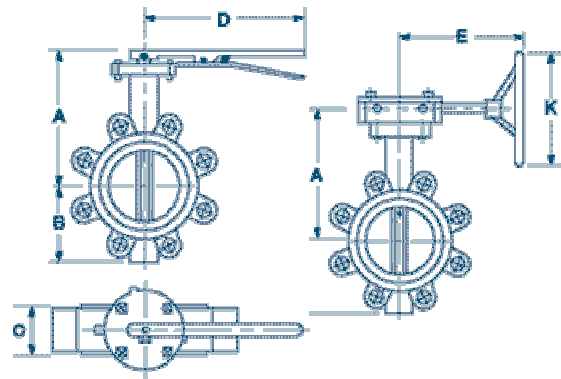
Nominal Size mm	A mm	B mm	C mm	D mm	E mm	K mm	Weight Lever (Kg)	Weight Geared (Kg)
50	191	80	42	262	134	150	4.4	7.9
65	203	91	45	262	134	150	5.2	8.7
80	211	95	45	262	134	150	5.7	9.2
100	230	112	50	262	134	150	7.4	10.9
125	245	134	54	262	134	150	10.2	13.7
150	255	138	56	262	134	150	11.1	14.6
200	271	170	58	326	240	305	15.5	26.5
250	326	198	68	415	240	305	26.5	36.8
300	366	234	77	415	257	305	35	48
350	413	267	80	---	257	305	---	60
400	451	309	90	---	350	305	---	92
450	473	328	109	---	350	305	---	118.8

LUGGED Butterfly Valve

Soft Sealing Epoxy Coated



BODY : CAST IRON
 SHAFT : STAINLESS STEEL
 DISC : STAINLESS STEEL
 BUSHINGS : PTFE
 LINER : EPDM
 O-RING : EPDM



Nominal Size mm	A mm	B mm	C mm	D mm	E mm	K mm	Weight Lever (Kg)	Weight Geared (Kg)
50	191	80	42	262	134	150	4.6	8.1
65	203	91	45	262	134	150	5.3	8.8
80	211	95	45	262	134	150	5.5	9.1
100	230	112	50	262	134	150	9.0	12.3
125	245	134	54	262	134	150	11.6	14.9
150	255	138	56	262	134	150	13.5	16.8
200	271	170	58	326	240	305	20.2	31.1
250	326	198	68	415	240	305	33.3	43.6
300	366	234	77	415	257	305	45.5	58.4
350	413	267	80	---	257	305	---	73.9
400	451	309	90	---	350	305	---	121.5
450	473	328	109	---	350	305	---	145.6