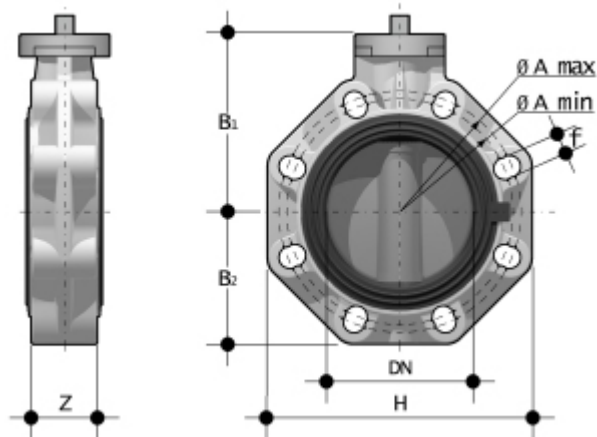


FKOV/FM - Butterfly valve bare shaft with PVC disc

Description

The FK is a Butterfly Valve, particularly suitable for industrial applications, where high performances and long time reliability are a must. Full flanged body with oval holes to fit with flanges in various standards; equipped, up to DN200, with ABS inserts to centre flanges and bolts. For DN250 and DN300 drilling on request. Lug version available, with AISI 316 inserts. Ergonomic hand lever with locking device and flow throttling. (DN250 and DN300 with Gear Box) Easy actuation, even after installation in the pipeline.



Features

- Size Range from ND 40 to ND 300 (1 1/2" to 12")
- Pressure rate up to 16 bar (232 psi) (see dimensional table) at 20°C (68°F)
- Body material: GR-PP, UV rays resistant, not in contact with the line fluid
- PVC disc, interchangeable with other materials (PP-H, C-PVC, PVDF, ABS)
- Primary liner interchangeable in EPDM, FPM, NBR

Dimensions

d	DN	PN	B1	B2	H	Z	A min.	A max.	f	g	U
50	40	16	106	60	132	33	99	109	19	574	4
63	50	16	112	70	147	43	115	125,5	19	754	4
75	65	10	119	80	165	46	128	144	19	1000	4
90	80	10	133	93	185	49	145	160	19	1400	8
110	100	10	147	107	211	56	165	190	19	1750	8
*125	125	10	167	120	240	64	204	215	23	2550	8
140	125	10	167	120	240	64	204	215	23	2550	8
160	150	10	180	134	268	70	230	242	23	3300	8
*200	200	10	227	161	323	71	280	298	23	6000	8
225	200	10	227	161	323	71	280	298	23	6000	8
250	250	10	248	210	405	114	335	362	25,4	12000	12
280	250	10	248	210	405	114	335	362	25,4	12000	12
315	300	8	305	245	475	114	390	432	29	19000	12

Notes:

- * FKOV d 140 with special adaptor stubs d 125
- * FKOV d 225 with special adaptor stubs d 200

Connection Standards

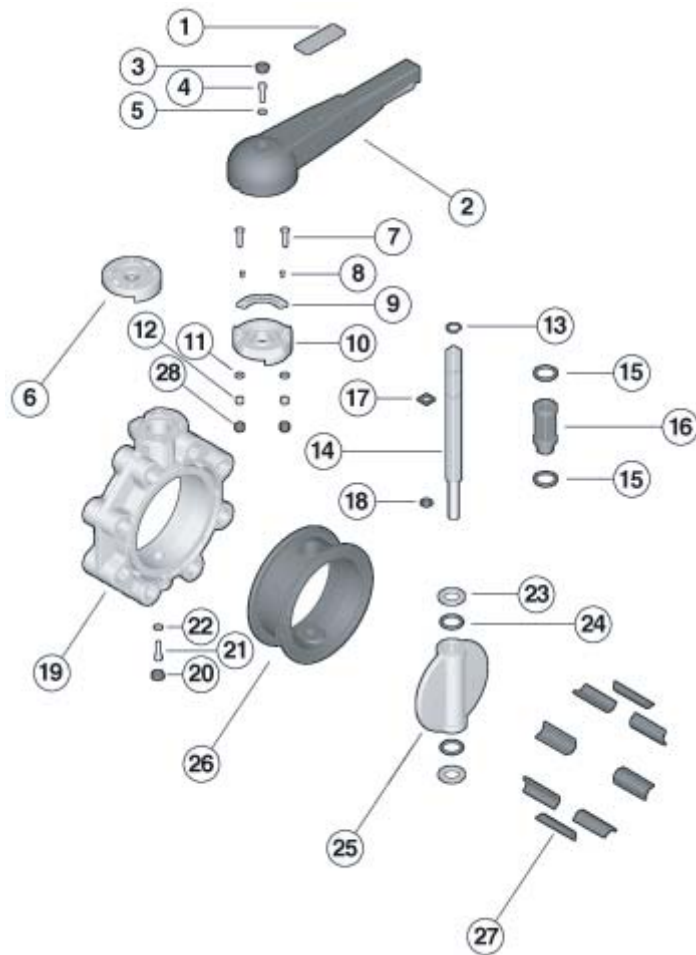
Body Drilling: DIN 2501, ISO DIS 9624, UNI 2223, BS 10 table D/E (DN 250 E), ASA ANSI B16,5 class 150, JIS 2212 (K10 except for DN 200/DN 300), JIS 2212 (K5 except for DN 50)

Flow rate

d	50	63	75	90	110	140	160	225	280	315
DN	40	50	65	80	100	125	150	200	250	300
Kv100 (l/min)	1000	1285	1700	3550	5900	9850	18700	30500	53200	81600

Parts List

- 1** Insert of the handle
- 2** Handle
- 3** Protection cap
- 4** Screw
- 5** Washer
- 6** Flange
- 7** Screw
- 8** Screw
- 9** Ratchet
- 10** Pad
- 11** Washer
- 12** Nut
- 13** Seeger ring
- 14** Shaft
- 15** Bush O-ring
- 16** Bush
- 17** Shaft O-ring
- 18** Shaft O-ring
- 19** Body
- 20** Protection cap
- 21** Screw
- 22** Washer
- 23** Anti-friction ring
- 24** Disc O-ring
- 25** Disk
- 26** Primary liner
- 27** Inserts
- 28** Plug



Engineering Specifications

Accessories

- Gear Box
- Actuation flange in PP-GR drilling ISO 5211-F05, F07, F10 up to DN200 (Drilling as standard ISO 5211-F10, F12, F14 for DN250 e DN300)
- Microswitches box FKMS