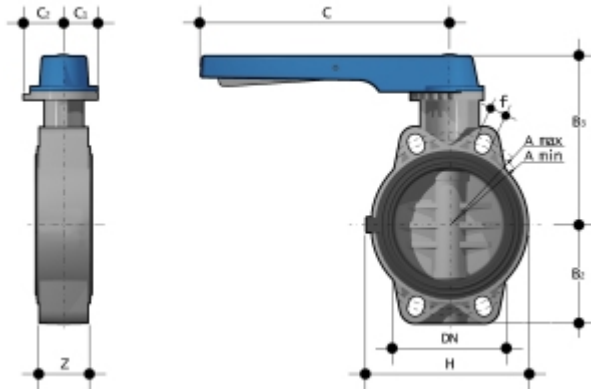


FEOV/LM - Butterfly valve hand operated

Description

The FE is a Butterfly Valve, specifically designed for water applications. Full flanged body with oval holes to fit with flanges in various standards. Lug version available, with AISI 316 inserts. Ergonomic hand lever with locking device and flow throttling. Easy actuation, even after installation in the pipeline.



Features

- Size Range from ND 40 to ND 200 (1 1/2" to 8")
- Pressure rate up to 16 bar (232 psi) (see dimensional table) at 20°C (68°F)
- Body material: PVC, not in contact with the line fluid
- PVC disc
- Primary liner interchangeable in EPDM, FPM, NBR
- Drilling for actuation or Gear box: ISO 5211 F05-F07-F10

Dimensions

d	DN	PN	B ₂	B ₃	C	C ₁	C ₂	H	Z	A min.	A max.	f	g	U
50	40	16	60	136	175	45	42	132	33	93,5	109	19	827	4
63	50	16	70	143	175	45	42	147	43	108	124	19	1012	4
75	65	10	80	168	250	45	53	165	46	128	144	19	1420	4
90	80	10	90	182	250	45	53	130	49	145	159	19	1640	4
110	100	10	105	196	250	45	53	150	56	165	190	19	1990	4
125	125	10	121	215	335	45	53	185	64	204	215	23	3030	4
140	125	10	121	215	335	45	53	185	64	204	215	23	3030	4
160	150	10	132	229	335	45	53	210	70	230	242	23	3730	4
200	200	10	161	309	425	65	82	325	71	280	298	23	8240	8
225	200	10	161	309	425	65	82	325	71	280	298	23	8240	8

Notes:

* FEOV d 140 with special adaptor stubs d 125

* FEOV d 225 with special adaptor stubs d 200

Connection Standards

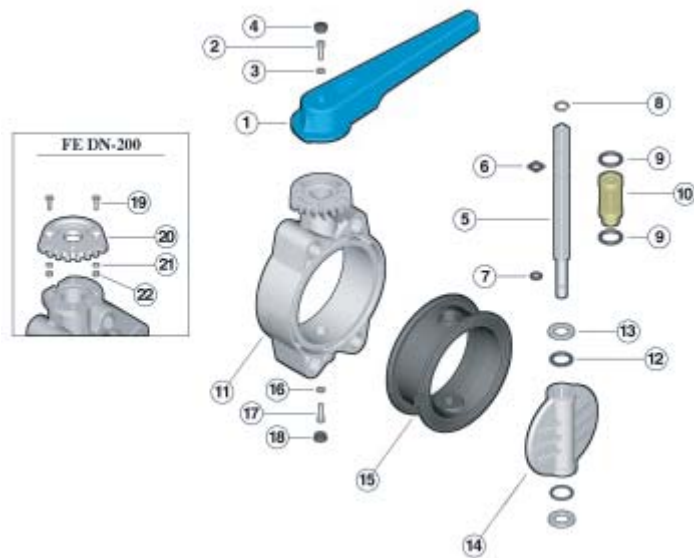
Body Drilling: DIN 2501, ISO DIS 9624, UNI 2223, BS 10 table D/E, ASA B16,5 class 150, JIS 2212 (K10 except for DN 200), JIS 2212 (K5 except for DN 50)

Flow rate

d	50	63	75	90	110	140	160	225
DN	40	50	65	80	100	125	150	200
Kv100 (l/min)	1000	1285	1700	3550	5900	9850	18700	30500

Parts List

- 1 Handle
- 2 Screw
- 3 Washer
- 4 Protection cap
- 5 Shaft
- 6 Shaft O-ring
- 7 Shaft O-ring
- 8 Seeger ring
- 9 Bush O-ring
- 10 Bush
- 11 Body
- 12 Disc O-ring
- 13 Anti-friction ring
- 14 Disc
- 15 Primary liner
- 16 Washer
- 17 Screw
- 18 Protection cap
- 19 Screw
- 20 Pad
- 21 Washer
- 22 Nut



Accessories

- Gear Box
- Infinite adjusting RF handle