

ALL VALVE INDUSTRIES NEWSLETTER

November 2007

TRADESHOWS

The Master Plumbers Association of NSW will soon be hosting their final two tradeshows for 2007.

All Valve will again be exhibiting and we hope that you might be able to come along and see what's new at All Valve and in the plumbing industry in general.

Locations and dates:

Mittagong

Date: 21st November

Venue: Mittagong RSL

Deewhy

Date: 28th November

Venue: Deewhy RSL

If you would like more information, give to call us on (02) 8543 511 or contact the Master Plumbers Association on (02) 8789 7000.

NEW Product:

5213TM Thermostatic Mixing Valve

The Caleffi Thermostatic Mixing Valve is here!!

Our new 5213TM series thermostatic mixing valve has been tested and approved to both the Australian Standard AS4032.1 and the requirements of NSW Health. This will allow the valve to be installed Australia wide and also in NSW health facilities.

The 5213TM comes in sizes 15mm and 20mm and is extremely compact which is especially helpful if retrofitting. Although the physical size of the valve has been greatly reduced, its performance has definitely not been compromised. During independent testing last month, the 15mm model comfortably achieved flow rates in excess of 30 litres per minute with balanced inlet pressures of 300kPa. This flow rate is more than comparable with any other TMV on the market.

The Caleffi TMV will come standard with two ball valves as isolation valves but we will offer as an option our new Intaball MX right-angled all-in-one isolating valve, non-return valve and strainer.

Presently in the design stage is our lockable recessed stainless steel box. The Caleffi TMV will be available plumbed into the lock boxes complete with the Intaball MX valves. We expect to have the entire Caleffi TMV range and all options available by late December/ early January.

In the meantime, please give us any TMV enquiries and we will do our utmost to help you win any jobs or projects that come your way. All Valve is keen to get our new TMV range happening and to let our opposition know that some real competition has arrived.



JOKE OF THE MONTH

The Montana State Department of Fish and Wildlife is advising golfers to take extra precautions and be on the alert for bears while playing on Gallatin, Helena, and Lewis and Clark National Forests golf courses.

They advise golfers to wear noise-producing devices such as little bells on their clothing to alert, but not to startle the bears unexpectedly. They also advise you to carry pepper spray in the case of an encounter with a bear. It is also a good idea to watch for signs of bear activity.

Golfers should be able to recognize the difference between black bear and grizzly bear droppings on the golf course. Black bear droppings are smaller and contain berries and possibly squirrel fur. On the other hand, grizzly bear droppings have bells in them and smell like pepper spray.



30/205 Port Hacking Rd
MIRANDA NSW 2228

Phone: (02) 8543 5111
Fax: (02) 8543 5122
Email: info@allvalve.com.au

Visit our website!
www.allvalve.com.au

TECHNICAL SPECS

5213TM Thermostatic Mixing Valve

Technical Data

Materials: - Valve body:	DZR alloy UNI EN 12165 CW602N
- Regulating spindle:	DZR alloy UNI EN 12165 CW602N
- Internal shutter:	PPO
- Sealing elements:	EPDM
- Cover:	ABS

Set Temperature: must be commissioned on site to archive desired temperature
 Temperature control: $\pm 2^{\circ}\text{C}$

Minimum cold inlet temperature:	5°C
Maximum cold inlet temperature:	30°C
Minimum hot inlet temperature:	55°C
Maximum hot inlet temperature:	85°C

Maximum working pressure (static):	1400 kPa
Maximum working pressure (dynamic):	500 kPa
Minimum working pressure (dynamic):	20 kPa

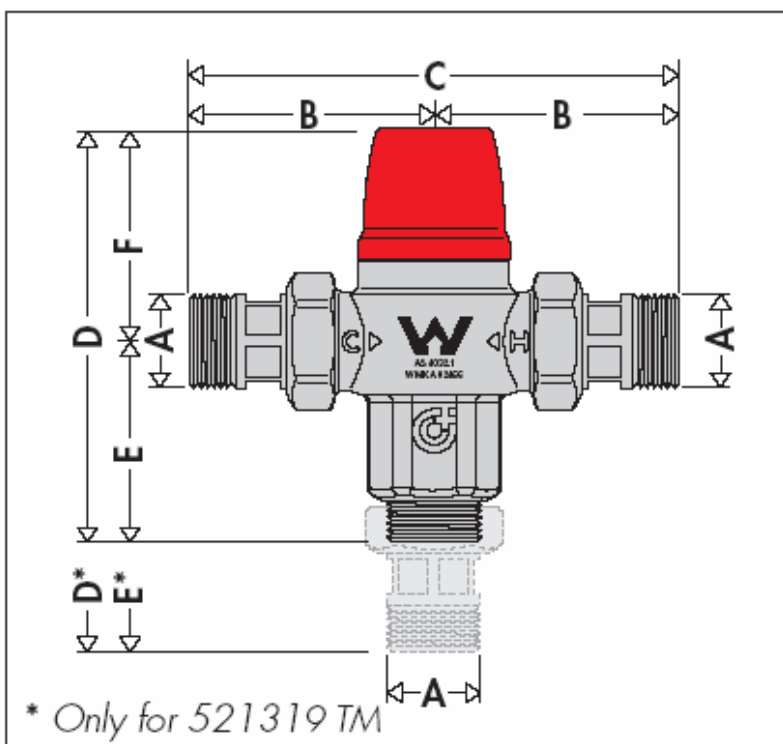
Maximum unbalanced dynamic supply (hot/cold or cold/hot): 6:1

Minimum temperature differential between hot water inlet and mixed water outlet to ensure shut off function: 10°C

Minimum temperature differential between mixed water outlet and cold water inlet to ensure stable operation: 5°C

Minimum flow rate for stable operation: 4 l/min

Dimensions



Code	521312TM	521319TM
A	Ø 15	Ø 20
B	62,5	69
C	125	138
D	91	126,5
E	48,5	84
F	42,5	42,5