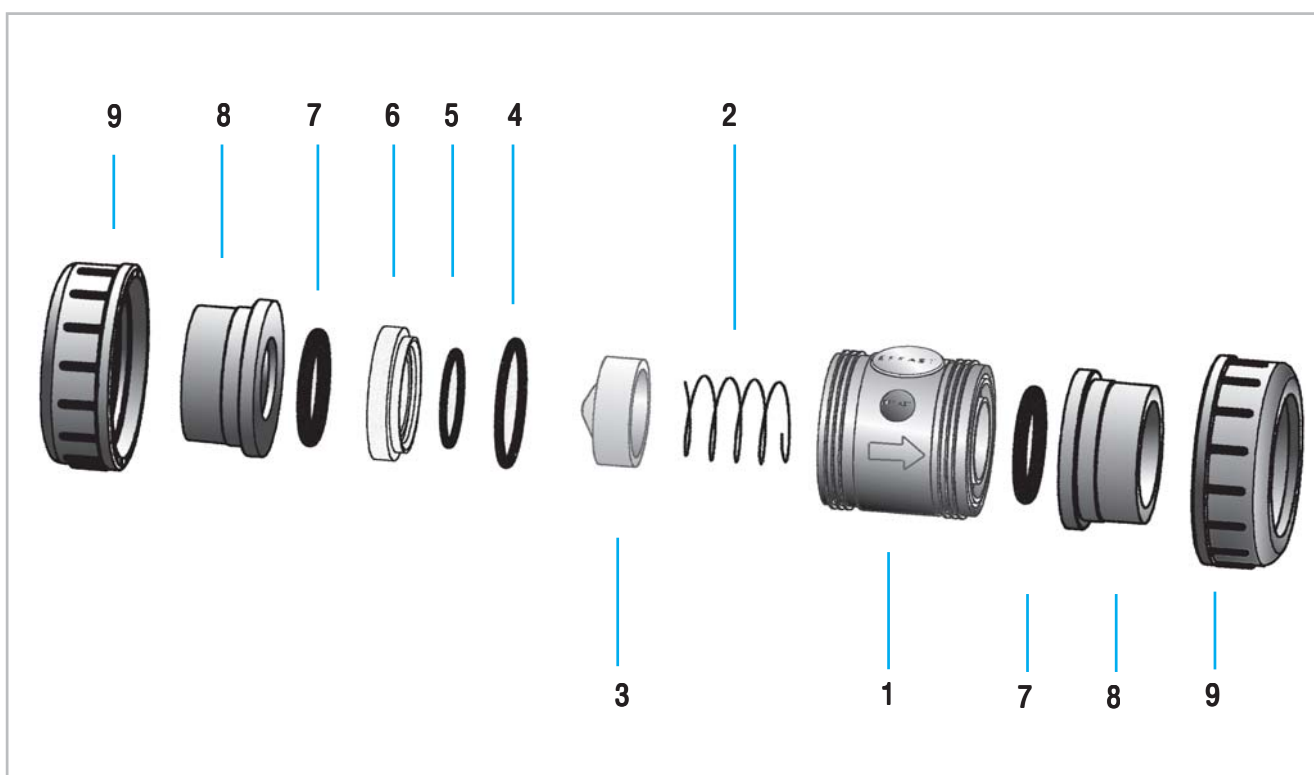


**PVC-uH check valves - "CV" range**

**Soupape en PVC-uH - serie "CV"**

**PVC-uH - Rückschlagventil - serie "CV"**

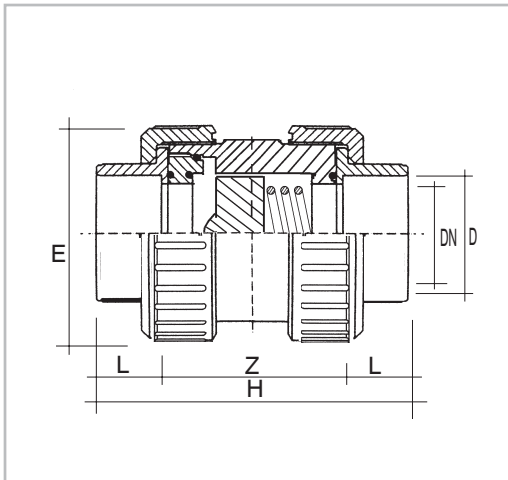
**Valvole di non ritorno in PVC-uH - serie "CV"**



Nr.	DESCRIPTION	DESCRIPTION	TEILE	DESCRIZIONE	MAT
1	BODY	CORPS	GEHÄUSE	CORPO	PVC-uH
2	SPRING	RESSORT	FEDER	MOLLA	SS/SS-PTFE
3	SWIVEL PLUG	OBTURATEUR	KEGEL	OTTURATORE	PVC-uH
4	BODY O-RING	JOINT DU CORPS	GEHÄUSE DICHTUNG	CORPO O-RING	EPDM/FPM
5	O-RING	JOINT TORIQUE	O-RING	O-RINGS	EPDM/FPM
6	SUPPORT	SUPPORT	DICHTUNGSSTRÄGER	SUPPORTO	PVC-uH
7	O-RING UNDER SOCKETS	JOINT TORIQUE COLLET	BUNDBUCHEN DICHTUNGEN	O-RINGS MANICOTTI	EPDM/FPM
8	SOCKETS	COLLET	BUNDBUCHSEN	MANICOTTI	PVC-uH
9	NUTS	ECROU UNION	ÜBERWURFMUTTER	GHIERE	PVC-uH

All valves can be supplied with **ASTM** or **NPT** socket ends

Tutte le valvole possono essere fornite con manicotti incollaggio **ASTM** o filettati **NPT**



	D mm	D inch	DN	L	Z	H	E	Peso g	L/m Δp=1bar
<b>CVD - EPDM O-rings</b> (CVA) british standard Double union, metric or B.S., solvent cementing Union double metrique ou BS à coller Radial mit klebemuffen Radiale con attacchi per incollaggio	20	1/2"	15	16	46	78	50	110	190
	25	3/4"	20	19	52	90	60	180	380
	32	1"	25	22	60	104	68	250	700
	40	1 1/4"	32	26	68	120	80	380	1000
	50	1 1/2"	40	31	78	140	94	600	1700
	63	2"	50	38	93	169	115	1000	3200
	75	2 1/2"	65	44	139	227	168	2800	5000
	90	3"	80	51	139	242	168	3000	7000
	110	4"	100	61	160	282	210	5000	10000
	<b>CVD-V - FPM O-rings</b> (CVA - V) british standard Double union, metric or B.S., solvent cementing Union double metrique ou BS à coller Radial mit klebemuffen Radiale con attacchi per incollaggio	20	1/2"	15	16	46	78	50	110
25		3/4"	20	19	52	90	60	180	380
32		1"	25	22	60	104	68	250	700
40		1 1/4"	32	26	68	120	80	380	1000
50		1 1/2"	40	31	78	140	94	600	1700
63		2"	50	38	93	169	115	1000	3200
75		2 1/2"	65	44	139	227	168	2800	5000
90		3"	80	51	139	242	168	3000	7000
110		4"	100	61	160	282	210	5000	10000
<b>CVE EPDM O-rings</b> Double union, BSP, threaded Union double à manchons taraudés Radial mit gewindemuffen Radiale con attacchi filettati			1/2"	15	16	46	78	50	110
		3/4"	20	19	52	90	60	180	380
		1"	25	22	60	104	68	250	700
		1 1/4"	32	24	68	116	80	380	1000
		1 1/2"	40	24	78	126	94	600	1700
		2"	50	28	93	149	115	1000	3200
		2 1/2"	65	33	139	205	168	2800	5000
		3"	80	36	139	212	168	3000	7000
<b>CVE - V FPM O-rings</b> Double union, BSP, threaded Union double à manchons taraudés Radial mit gewindemuffen Radiale con attacchi filettati		1/2"	15	16	46	78	50	110	190
		3/4"	20	19	52	90	60	180	380
		1"	25	22	60	104	68	250	700
		1 1/4"	32	24	68	116	80	380	1000
		1 1/2"	40	24	78	126	94	600	1700
		2"	50	28	93	149	115	1000	3200
		2 1/2"	65	33	139	205	168	2800	5000
		3"	80	36	139	212	168	3000	7000
	4"	100	42	160	244	210	5000	10000	