



76-600 Series

3-Way Diversion Stainless Steel Ball Valve

Threaded, 800 psig WOG, Cold Non-Shock.

FEATURES

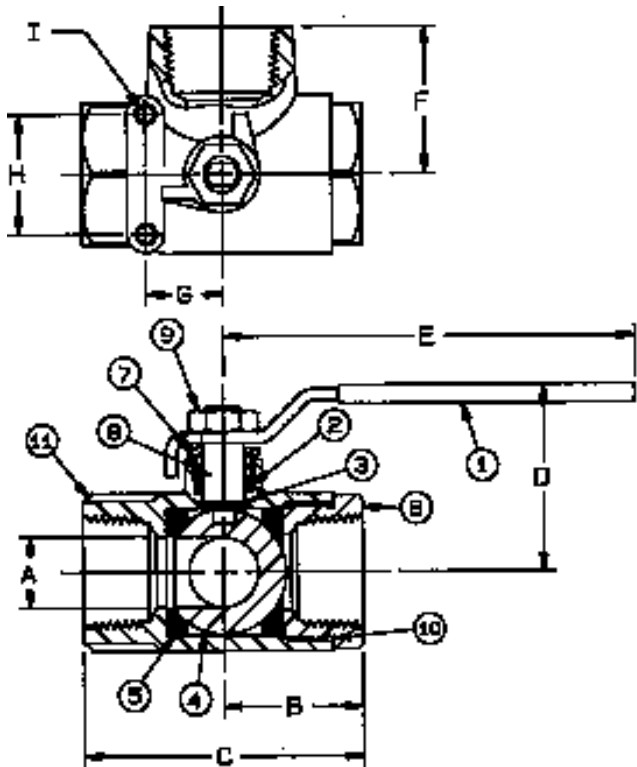
- RPTFE seats and stuffing box ring
- Meets NACE MR-01-75
- Blow-out-proof stem design
- Adjustable packing gland
- Investment cast body

STANDARD MATERIAL LIST

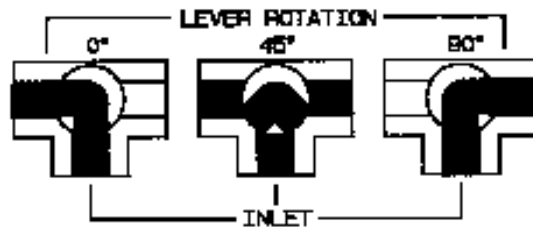
1. Lever and grip	304 SS w/vinyl	7. Gland nut	A276-316
2. Stem packing	RPTFE	8. Stem	A276-316
3. Stem bearing	RPTFE	9. Lever nut	18-8 SS
4. Ball	A276-316	10. Body seal (1-1/2" to 2")	PTFE
5. Seat (2)	RPTFE	11. Body	A351-CF8M
6. Retainer	A276-316 (1/4" to 1") A351-CF8M (1-1/2" to 2")		

OPTIONS AVAILABLE:

(SUFFIX)	OPTION	SIZES
-02-	Stem Grounded	1/4" to 2"
-03-	1-1/4" CS Stem Extension	1/4" to 2"
-04-	2-1/4" CS Stem Extension	1/4" to 2"
-21-	UHMWPE Seats (Non-PTFE)	1/4" to 2"
-24-	Graphite Packing	1/4" to 2"
-27-	SS Latch-Lock Lever & Nut	1/4" to 2"
-35-	VTFE Trim	1/4" to 2"
-49-	Assembled Dry	1/4" to 2"
-50-	2-1/4" CS Locking Stem Extension	1/4" to 2"
-56-	Multifill Seats & Packing	1/4" to 2"
-57-	Oxygen Cleaned	1/4" to 2"
-60-	Grounded Ball & Stem	1/4" to 2"
-P01-	BSPP (Parallel) Thread Connection	1/4" to 2"
-T01-	BSPT (Tapered) Thread Connection	1/4" to 2"



FLOW PATTERN



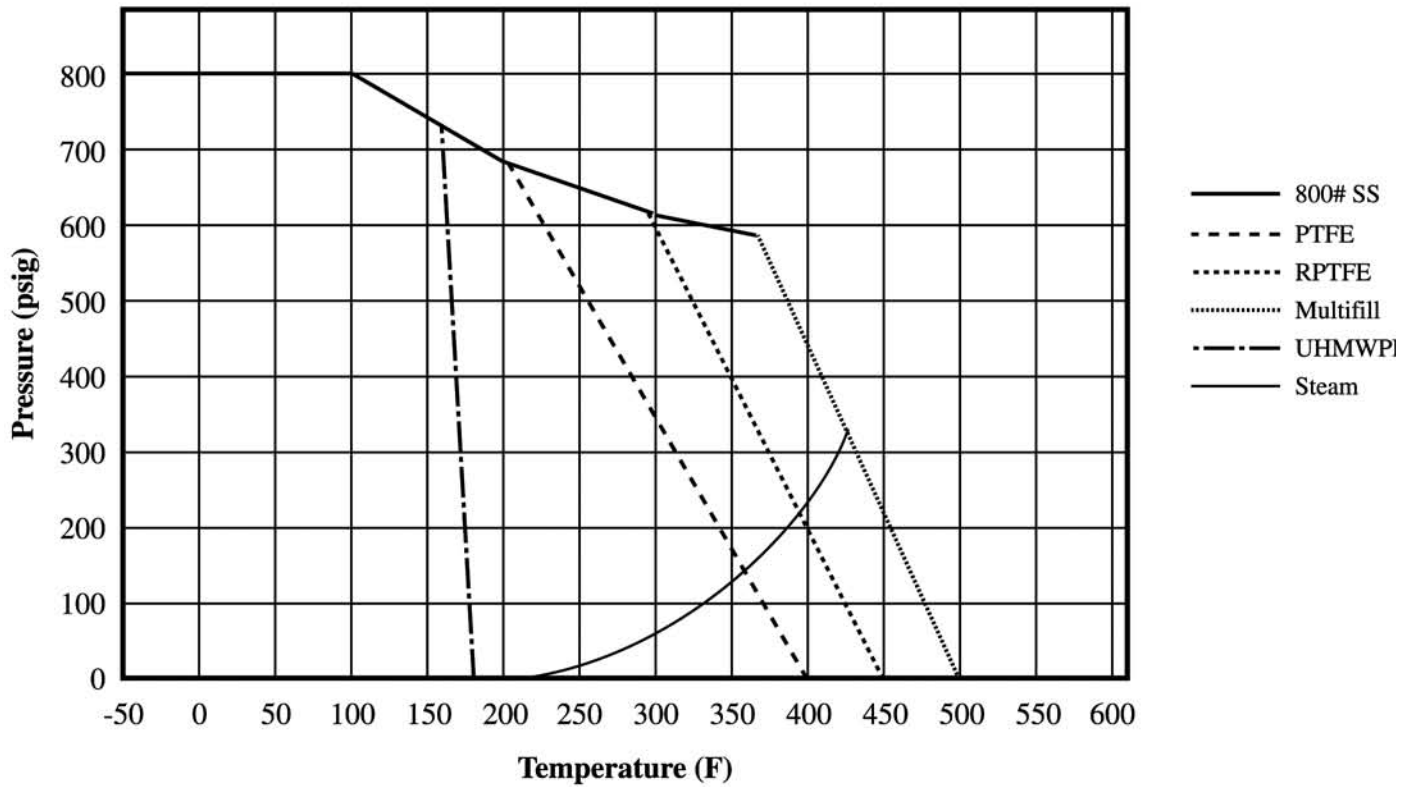
NOTE: Open port pressure must exceed Closed port pressure.

3-WAY DIVERSION STAINLESS STEEL BALL VALVE

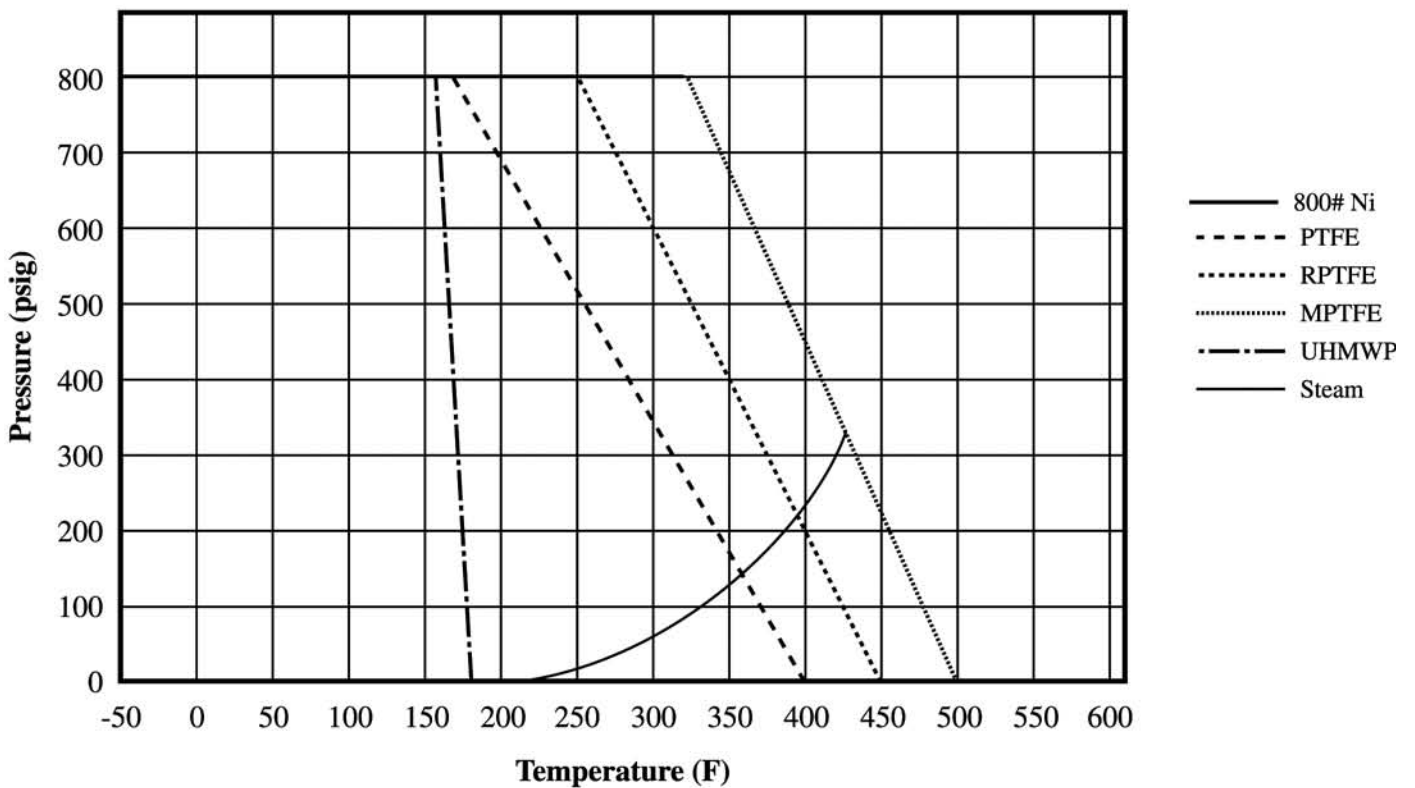
NUMBER	SIZE	A	B	C	D	E	F	G	H	I	Wt.
76-601-01	1/4"	.437	1.20	2.09	1.80	3.88	1.18	.875	1.375	10-24	.7
76-602-01	3/8"	.437	1.20	2.09	1.80	3.88	1.18	.875	1.375	10-24	.68
76-603-01	1/2"	.505	1.20	2.09	1.80	3.88	1.18	.875	1.375	10-24	.75
76-604-01	3/4"	.687	1.50	2.62	2.06	4.78	1.50	.875	1.375	10-24	1.45
76-605-01	1"	.875	1.60	2.86	2.15	4.78	1.68	.875	1.375	10-24	1.86
76-607-01	1-1/2"	1.265	2.19	3.34	3.03	5.43	2.40	.937	1.50	1/4-20	4.67
76-608-01	2"	1.515	2.69	4.00	3.22	5.43	2.81	.937	1.50	1/4-20	7.02

**For Pressure/Temperature Ratings,
Refer to Page M-16, Graph No. 21**

800# SS P-T Rating (Graph 21)



800# Nickel P-T Rating (Graph 22)



C_v FACTORS
87-100 & 88-100 SERIES
87A-100 & 88A-100 SERIES

SIZE	1/2" ⁽²⁾	3/4" ⁽²⁾	1" ⁽²⁾	1-1/2"	2"	2-1/2"	3"	4"	6"	8"	10" ⁽¹⁾
FULL OPEN	15	19	47	86	104	234	375	673	1099	1902	3890

C_v FACTORS
87A-200 & 88A-200 SERIES

SIZE	1"	1-1/2"	2"	2-1/2"	3"	4"	6"	8" ⁽¹⁾	10" ⁽¹⁾	12" ⁽¹⁾
FULL OPEN	75	195	410	545	1021	2016	4837	9250	15170	22390

- (1) Calculated Data
(2) 87-100 & 88-100 Only

C_v FACTORS
9A-100, 90-100, 91-100,
92-100, 93-100 & 96-100 SERIES

SIZE	1/4"	3/8"	1/2"	3/4"	1"	1-1/4"	1-1/2"	2"
OPEN 90°	8.3	6.7	5.7	10	16	25	40	62

C_v FACTORS
70-600 & 76-600 SERIES

SIZE	1/2"	3/4"	1"	1-1/4"	1-1/2"	2"
FULL OPEN	5.4	12	14	21	34	47

C_v FACTORS
"72" SERIES

SIZE	1/2"	3/4"	1"	1-1/4"	1-1/2"	2"
FULL OPEN	26	48	65	125	170	216