



# 70-600 Series

## 3-Way Diversion Bronze Ball Valve

Threaded, 400 psig WOG, Cold Non-Shock.

### FEATURES

- Chromium plated ball
- RPTFE seats and stuffing box ring
- Blow-out-proof stem design
- Adjustable packing gland

### STANDARD MATERIAL LIST

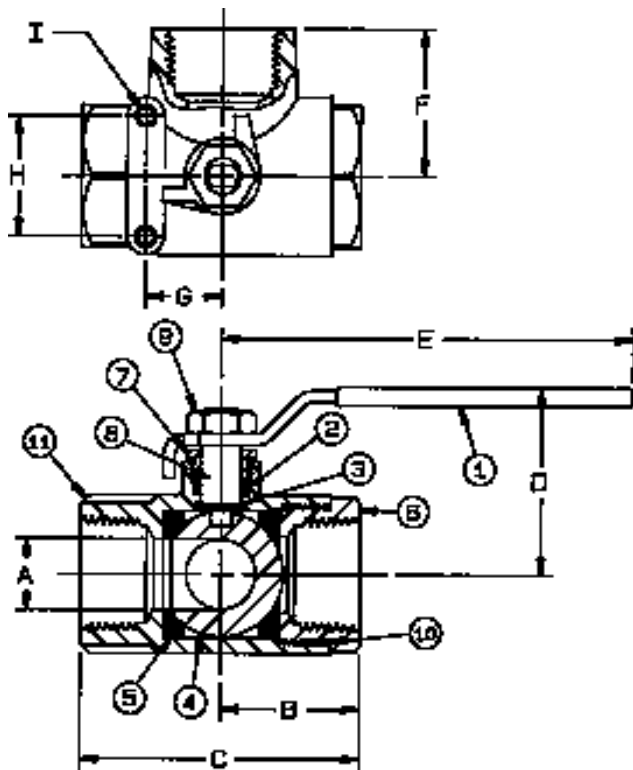
1. Lever and grip	Steel, zinc plated w/vinyl	7. Gland nut	B16
2. Stem packing	RPTFE	8. Stem	B16
3. Stem bearing	RPTFE	9. Lever nut	Steel, zinc plated
4. Ball	B16, chrome plated	10. Body seal (1-1/2" to 2")	PTFE
5. Seat (2)	RPTFE	11. Body	B584-C84400
6. Retainer	B16 (1/4" to 1") B584-C84400 (1-1/4" to 2")		

### VARIATIONS AVAILABLE:

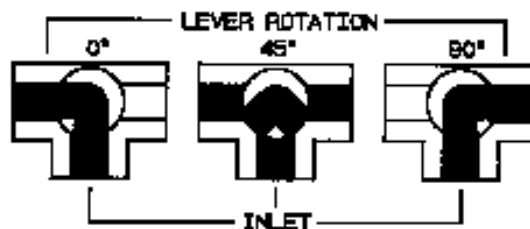
70-640 Series (316 SS Ball & Stem)

### OPTIONS AVAILABLE:

(SUFFIX)	OPTION	SIZES
-02-	Stem Grounded	1/4" to 2"
-03-	1-1/4" CS Stem Extension	1/4" to 2"
-04-	2-1/4" CS Stem Extension	1/4" to 2"
-05-	Plain Ball	1/4" to 2"
-10-	SS Lever & Nut	1/4" to 2"
-17-	Rough Chrome Plated - Bronze Valves	1/4" to 2"
-21-	UHMWPE Seats (Non-PTFE)	1/4" to 2"
-24-	Graphite Packing	1/4" to 2"
-27-	SS Latch-Lock Lever & Nut	1/4" to 2"
-35-	VTFE Trim	1/4" to 2"
-49-	Assembled Dry	1/4" to 2"
-50-	2-1/4" CS Locking Stem Extension	1/4" to 2"
-56-	Multifill Seats & Packing	1/4" to 2"
-57-	Oxygen Cleaned	1/4" to 2"
-60-	Grounded Ball & Stem	1/4" to 2"
-P01-	BSPB (Parallel) Thread Connection	1/4" to 2"
-T01-	BSPT (Tapered) Thread Connection	1/4" to 2"



### FLOW PATTERN



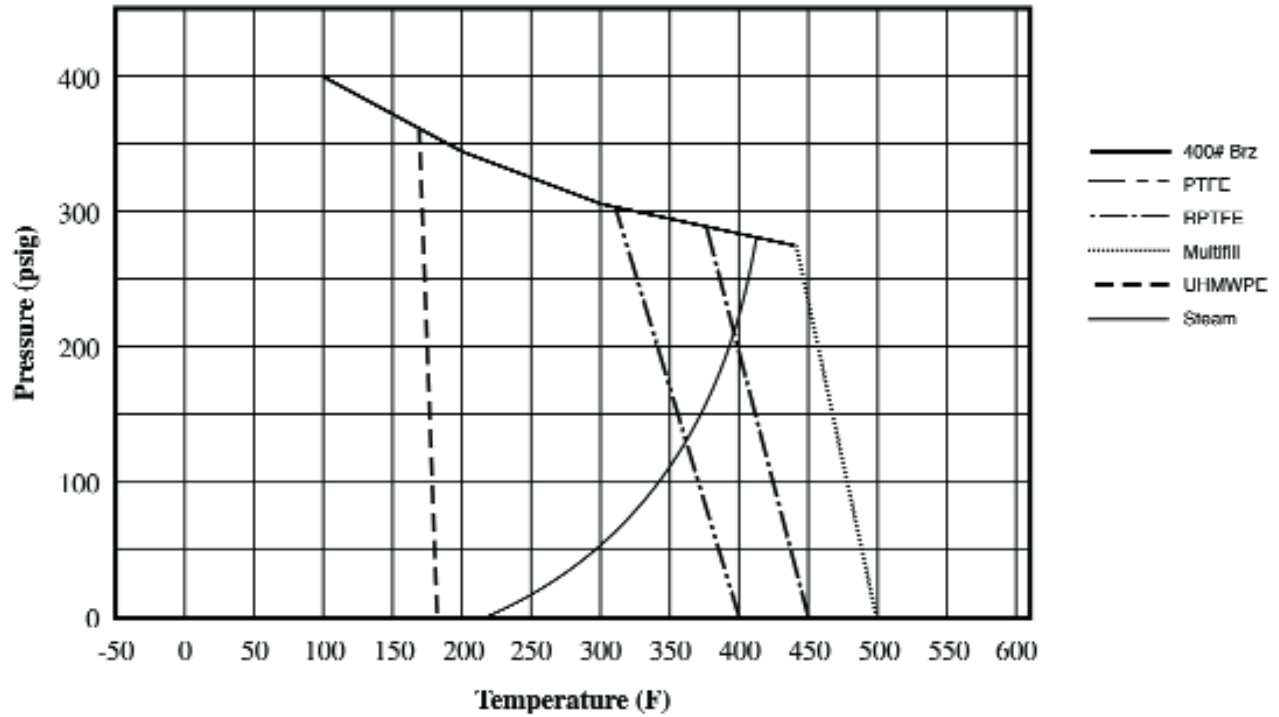
NOTE: Open port pressure must exceed Closed port pressure.

3-WAY DIVERSION BRONZE BALL VALVE

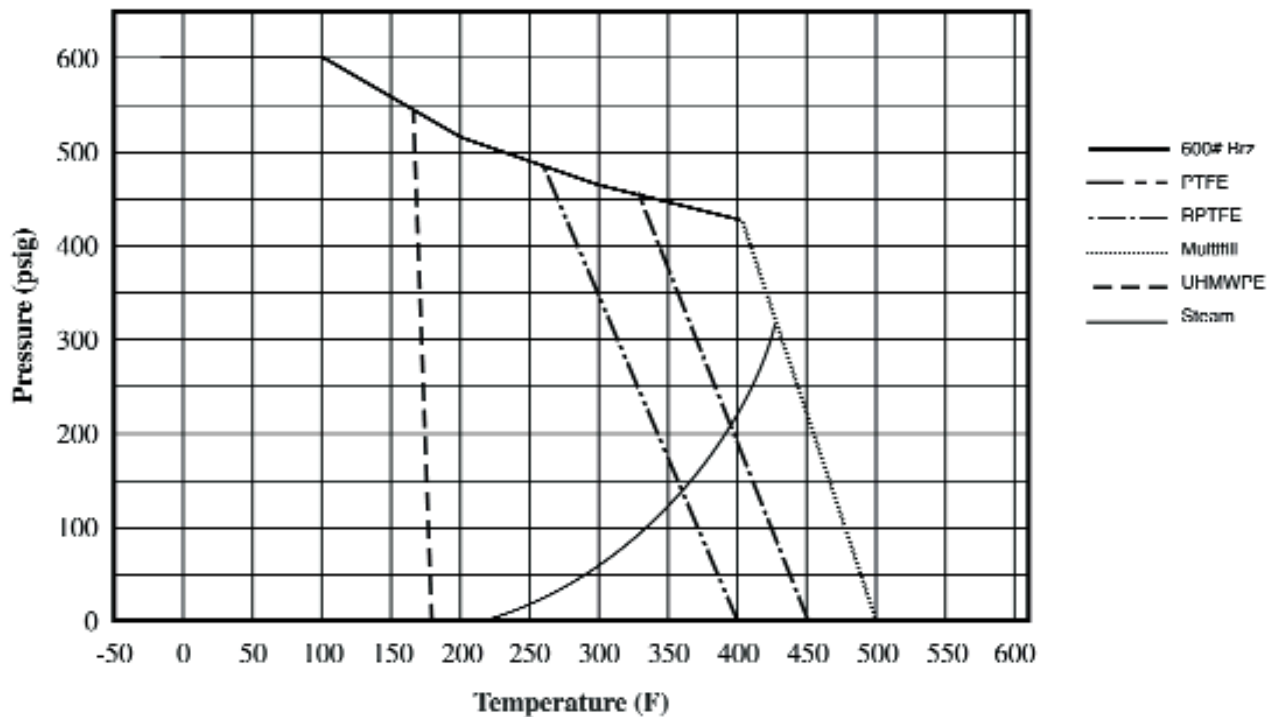
NUMBER	SIZE	A	B	C	D	E	F	G	H	I	Wt.
70-601-01	1/4"	.43	1.15	2.04	1.87	3.88	1.18	.875	1.37	10-24	.91
70-602-01	3/8"	.50	1.15	2.04	1.87	3.88	1.18	.875	1.37	10-24	.88
70-603-01	1/2"	.50	1.15	2.04	1.87	3.87	1.18	.875	1.37	10-24	.76
70-604-01	3/4"	.68	1.48	2.62	2.08	4.78	1.62	.875	1.37	10-24	1.65
70-605-01	1"	.87	1.59	2.85	2.18	4.78	1.68	.875	1.37	10-24	2.15
70-606-01	1-1/4"	1.01	1.98	3.11	2.72	5.43	2.09	.937	1.50	1/4-20	3.85
70-607-01	1-1/2"	1.26	2.19	3.34	2.90	5.43	2.38	.937	1.50	1/4-20	5.22
70-608-01	2"	1.51	2.32	3.62	3.09	5.43	2.50	2.87	1.50	1/4-20	6.20

**For Pressure/Temperature Ratings, Refer to Page M-8, Graph No. 3**

### 400# Bronze P-T Rating (Graph 3)



### 600# Bronze P-T Rating (Graph 4)



**C<sub>v</sub> FACTORS**  
**87-100 & 88-100 SERIES**  
**87A-100 & 88A-100 SERIES**

SIZE	1/2" <sup>(2)</sup>	3/4" <sup>(2)</sup>	1" <sup>(2)</sup>	1-1/2"	2"	2-1/2"	3"	4"	6"	8"	10" <sup>(1)</sup>
FULL OPEN	15	19	47	86	104	234	375	673	1099	1902	3890

**C<sub>v</sub> FACTORS**  
**87A-200 & 88A-200 SERIES**

SIZE	1"	1-1/2"	2"	2-1/2"	3"	4"	6"	8" <sup>(1)</sup>	10" <sup>(1)</sup>	12" <sup>(1)</sup>
FULL OPEN	75	195	410	545	1021	2016	4837	9250	15170	22390

- (1) Calculated Data  
(2) 87-100 & 88-100 Only

**C<sub>v</sub> FACTORS**  
**9A-100, 90-100, 91-100,**  
**92-100, 93-100 & 96-100 SERIES**

SIZE	1/4"	3/8"	1/2"	3/4"	1"	1-1/4"	1-1/2"	2"
OPEN 90°	8.3	6.7	5.7	10	16	25	40	62

**C<sub>v</sub> FACTORS**  
**70-600 & 76-600 SERIES**

SIZE	1/2"	3/4"	1"	1-1/4"	1-1/2"	2"
FULL OPEN	5.4	12	14	21	34	47

**C<sub>v</sub> FACTORS**  
**"72" SERIES**

SIZE	1/2"	3/4"	1"	1-1/4"	1-1/2"	2"
FULL OPEN	26	48	65	125	170	216