



62-500 - Soft-Seat Check Valves

Sizes: 1/4" to 1"

Ends: FNPT X FNPT



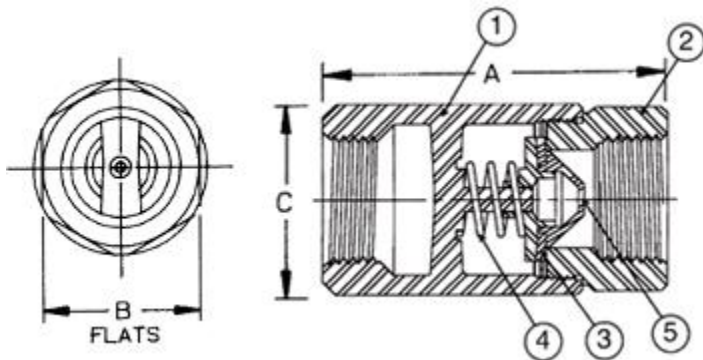
Overview

Fabricated with stainless steel springs and elastomeric seats. No radial alignment is needed. Exceptional resistance to chemicals and corrosion.

Features

- Bubble-tight shutoff, ideally suited for gaseous service
- Straight-through design minimizes velocity changes
- NPT threaded; 400 psig WOG
- Retainer is notched for easy identification
- Female NPT sizes: 1/4" to 2"
- Stainless steel sizes: 1/4" to 1"
- WORKING PRESSURE (NON-SHOCK) 400 psig; Maximum Temperature 350°F

PRECAUTIONARY NOTE : Not recommended for use with reciprocating pumps and similar applications which may induce repetitious vibrations. Low flow rates, which do not fully open the valve, may result in undesirable noise and premature valve failure. Upstream flow disturbances, which create turbulence, may also result in rapid wear. Therefore, it is recommended that a minimum of 10 diameters of straight pipe be provided between the check valve and any upstream flow disturbances such as pumps, control valves, elbows, etc.



Materials

Part Name	Material	ASTM Spec.	Remarks
1-Body	Stainless Steel - ASTM A351, CF8M		
2-Retainer	Stainless Steel - ASTM A276, 316		
3-Seat	Fluorocarbon Rubber-Viton		
4-Spring	Stainless Steel - AISI 316		
5-Check	Stainless Steel - ASTM A276, 316		

Dimensions

Part No.	Size in./mm	A in./mm	B in./mm	C in./mm	Cv (GPM) in./mm	Wt/100
62-501-01	1/4 8 6.35	2.31 58.67	1.12 28.45	1.12 28.45	0.47 11.94	38.00
62-502-01	3/8 10 9.53	2.31 58.67	1.12 28.45	1.12 28.45	1.57 39.88	38.00
62-503-01	1/2 15 12.70	2.31 58.67	1.12 28.45	1.12 28.45	2.20 55.88	38.00
62-504-01	3/4 20 19.05	2.87 72.90	1.37 34.80	1.50 38.10	4.78 121.41	75.00
62-505-01	1 25 25.40	3.50 88.90	1.75 44.45	1.93 49.02	6.00 152.40	150.00

6/25/2007