



# CALEFFI

## 5335 Series

# 3-Way Pressure Reducing Valve

Safeguards Water Heaters and Domestic Systems

## The Caleffi Bonus

- Versatile Right Angle  
Straight Through  
Dual Outlet
- Factory set at 500kPa
- Fully adjustable
- Inbuilt strainer
- Replaceable cartridge
- Ideal for meter connections

Series

## 5335



\* Patent Pending

Certified Product

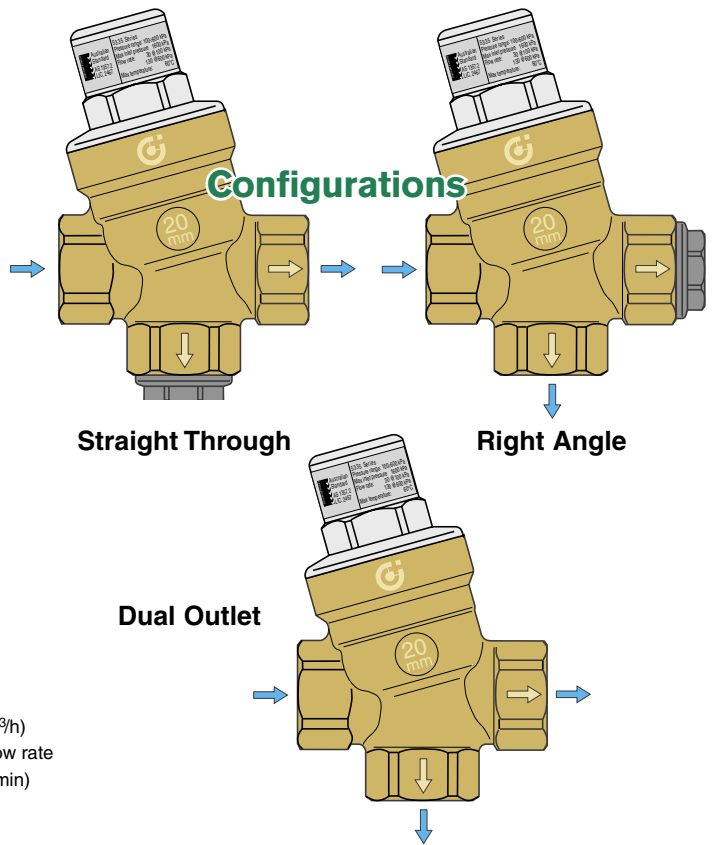
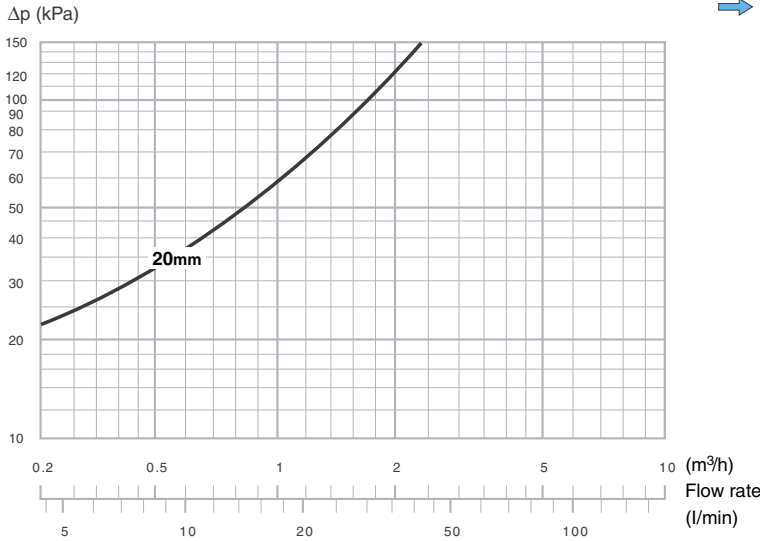


Australian  
Standard

AS 1357.2 Lic 2467

Available with 20mm female threaded ends (Plug supplied)

## Pressure Loss Diagram



## General

The Caleffi 533550 series pressure reducing valve is a new concept in pressure reducing valves. It allows various configurations to be achieved from the one valve. The configurations of the valve can be easily changed by blocking either of the two outlets on the valve with the plug provided. This allows either straight through or right angle flow. If flow is required from both outlets simultaneously, remove the plug completely.

The 533550 comes factory set at 500kPa and is fully adjustable between 100 – 500kPa. Downstream pressure adjustment is achieved by simply turning the screwdriver slot on the top of the valve in the direction of either the '+' or '-' symbols.

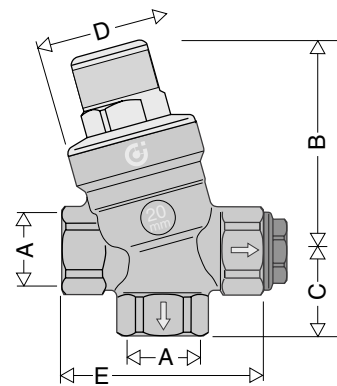
At this stage, the Caleffi 533550 comes in 20mm size only. Alternatively, the standard 5335 is available in sizes 15mm and 20mm and the 535 industrial dial-up model comes in sizes 15mm – 50mm.

## Warning

If it is critical to maintain a precise pressure to protect equipment downstream of the Caleffi 533550 series pressure reducing valve, we recommend the installation of a pressure relief valve.

All Valve Industries reserves the right to amend this brochure at any point without notice.

<b>Code</b>	<b>533550</b>
<b>A</b>	20mm
<b>B</b>	72.5
<b>C</b>	22.5
<b>D</b>	Ø 46
<b>E</b>	84.5
Weight(kg)	0.52



## Technical Specifications

Pressure range	100 - 500kPa
Factory set	500kPa
Maximum inlet pressure	1600kPa
Maximum temperature	60°C
Media	Water/Air
Complies with	AS1357.2



**All Valve Industries** Pty Ltd

30/205 Port Hacking Road Miranda NSW 2228  
www.allvalve.com.au

© March 2007

DISTRIBUTED BY



**Australian Standard**

AS 1357.2 Lic 2467