



# CALEFFI

## 5213HP Series

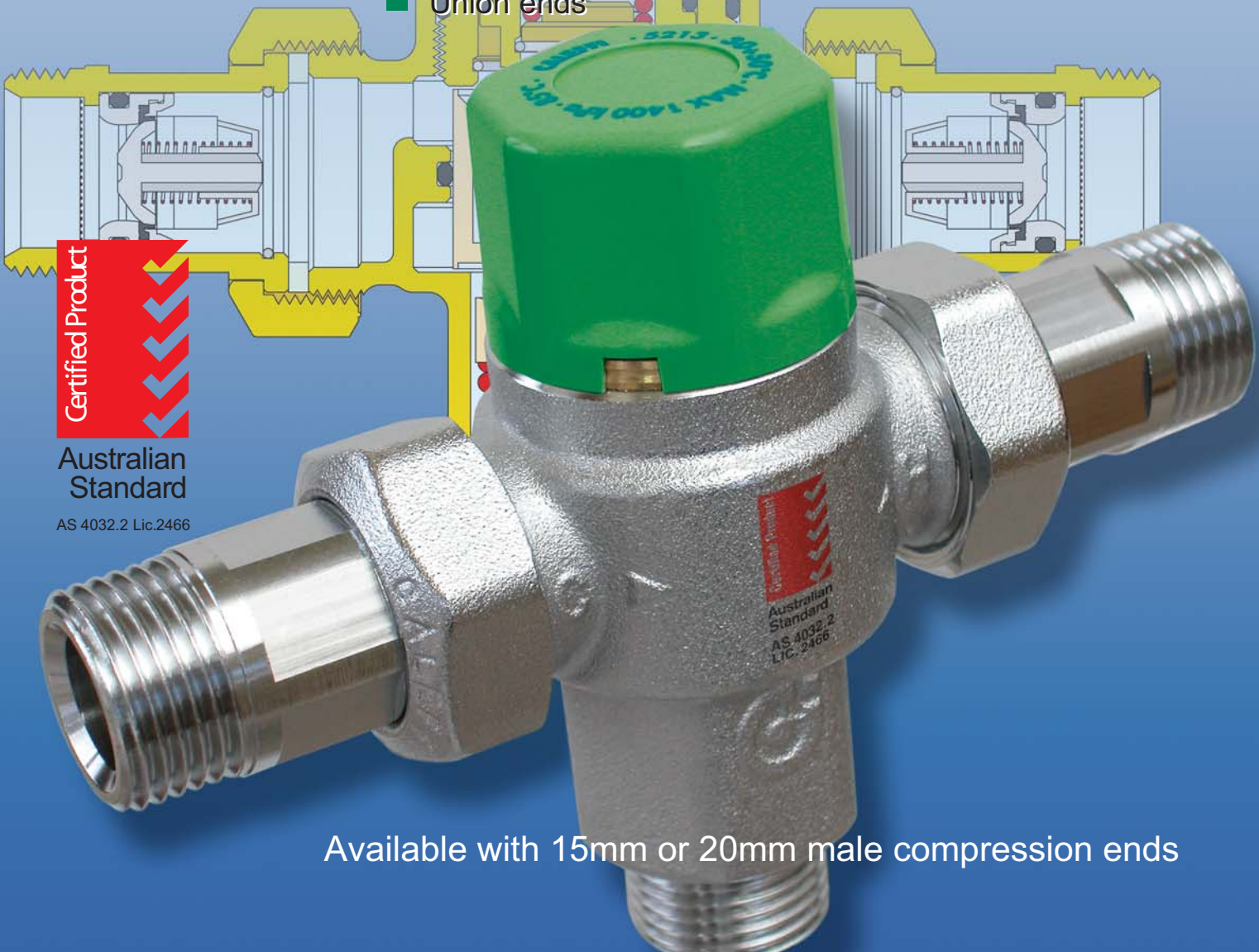
# High Performance Tempering Valve

Suitable for Instantaneous Hot Water Systems

### The Caleffi Bonus

- Latest European technology
- Compact design
- Anti scald thermal shut-off
- Will maintain set temperatures to +/- 3°C
- Temperature adjustment range 30°C - 50°C
- Built-in non return valves and filters
- Union ends

Series  
**5213HP**



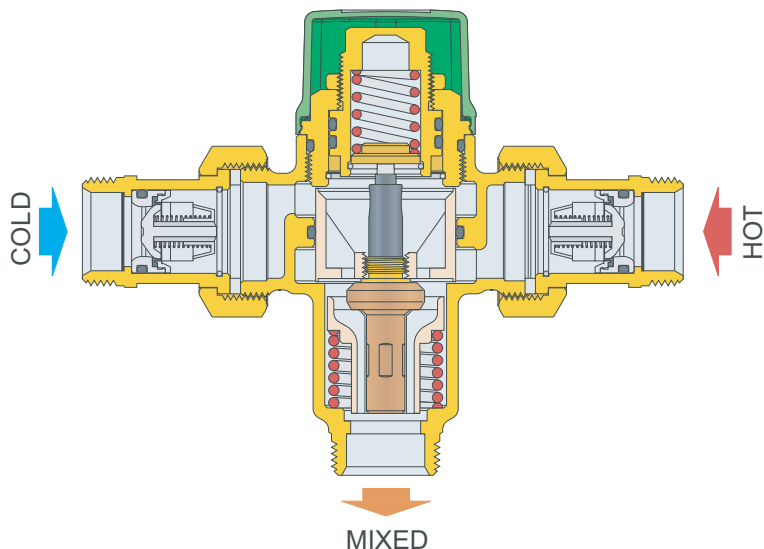
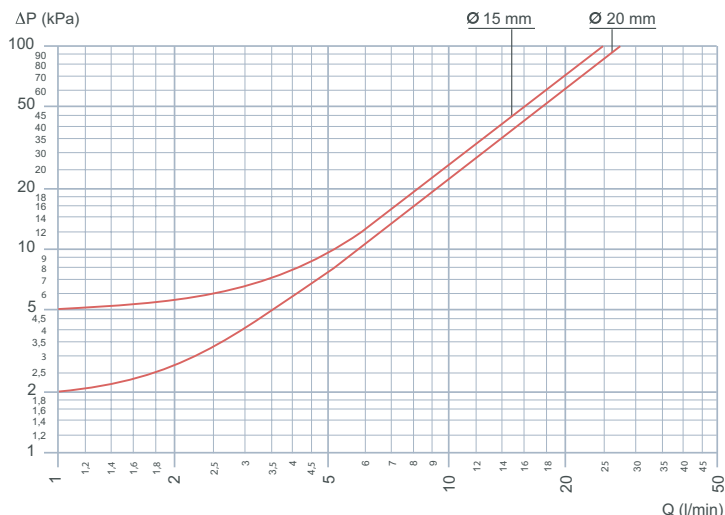
Certified Product

Australian  
Standard

AS 4032.2 Lic.2466

Certified Product  
Australian  
Standard  
AS 4032.2  
LIC. 2466

Available with 15mm or 20mm male compression ends



Code	521312HP	521319HP
A	Ø 15	Ø 20
B	62.5	69
C	125	138
D	97.5	133
E	48.5	84
F	49	49

## General

Tempering Valves are designed to protect people, especially children, from scalding by hot water in domestic situations. It is now a legal requirement in Australia that new homes have tempering valves fitted to supply water to bathrooms at a safe temperature.

These High Performance Tempering Valves have a special, highly sensitive thermostatic element which reacts quickly to variations in water supply conditions, as is commonly experienced with instantaneous hot water systems.

The green-cap Caleffi HP Tempering Valve is suitable for installation on instantaneous hot water systems and other situations where water supply conditions fluctuate dramatically.

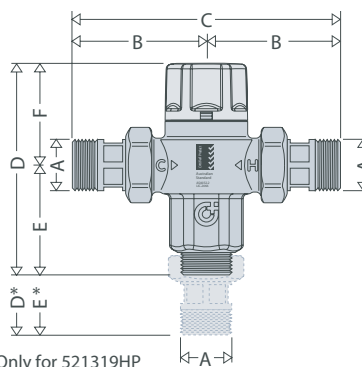
The Caleffi #5213 Tempering valve comes standard with built-in non return valves and strainers.

## Safety

Caleffi #5213 Tempering Valves must be installed, adjusted and maintained strictly in accordance with Caleffi's installation instructions, the relevant Australian Standards and local regulatory requirements.

## Warnings

These valves must not be dismantled.



Australian Standard

AS 4032.2 Lic.2466

## Technical Specifications

Temperature adjustment range	30 - 50°C
Temperature control	+/- 3°C
Maximum hot water inlet temperature	85°C
Maximum working pressure (static)	1400kPa
Maximum working pressure (dynamic)	500kPa
Minimum working pressure (dynamic)	20kPa
Maximum unbalanced dynamic supply (hot/cold or cold/hot)	6:1
Minimum temperature differential between hot water inlet and mixed water outlet to ensure thermal shutoff function	10°C
Minimum flow rate for stable operation	4 litres/min



All Valve Industries Pty Ltd

30/205 Port Hacking Road Miranda NSW 2228  
www.allvalve.com.au

DISTRIBUTED BY