



**CALEFFI  
SOLAR**

2522 Series

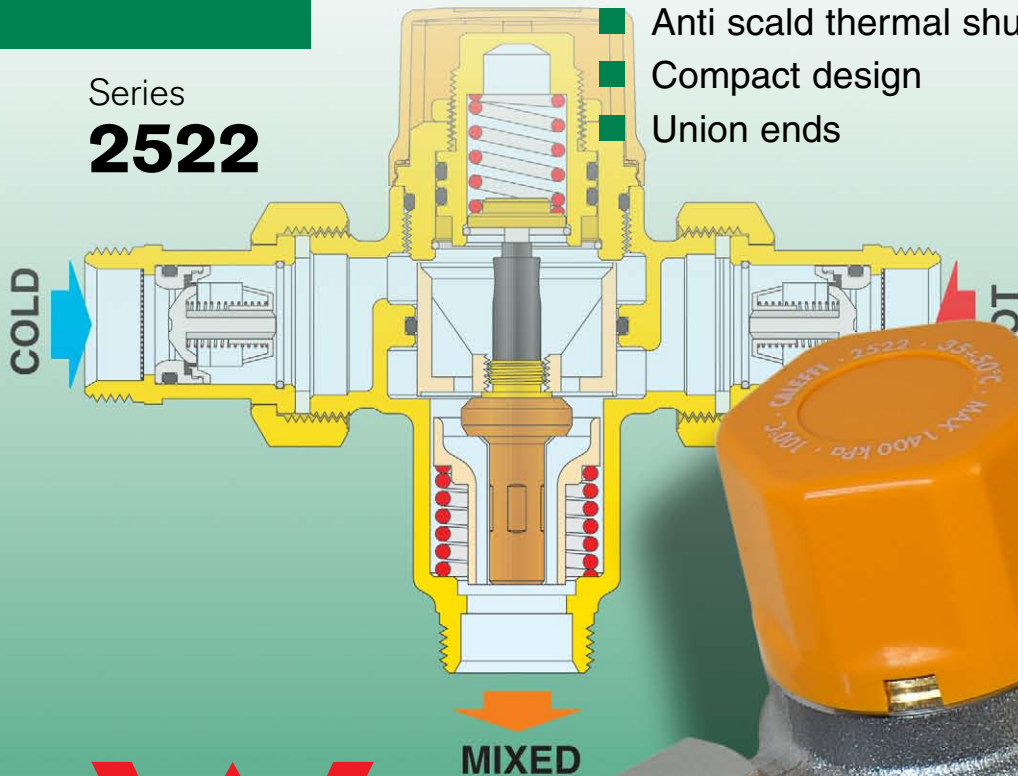
# Tempering Valve

Safe temperature hot water from solar systems

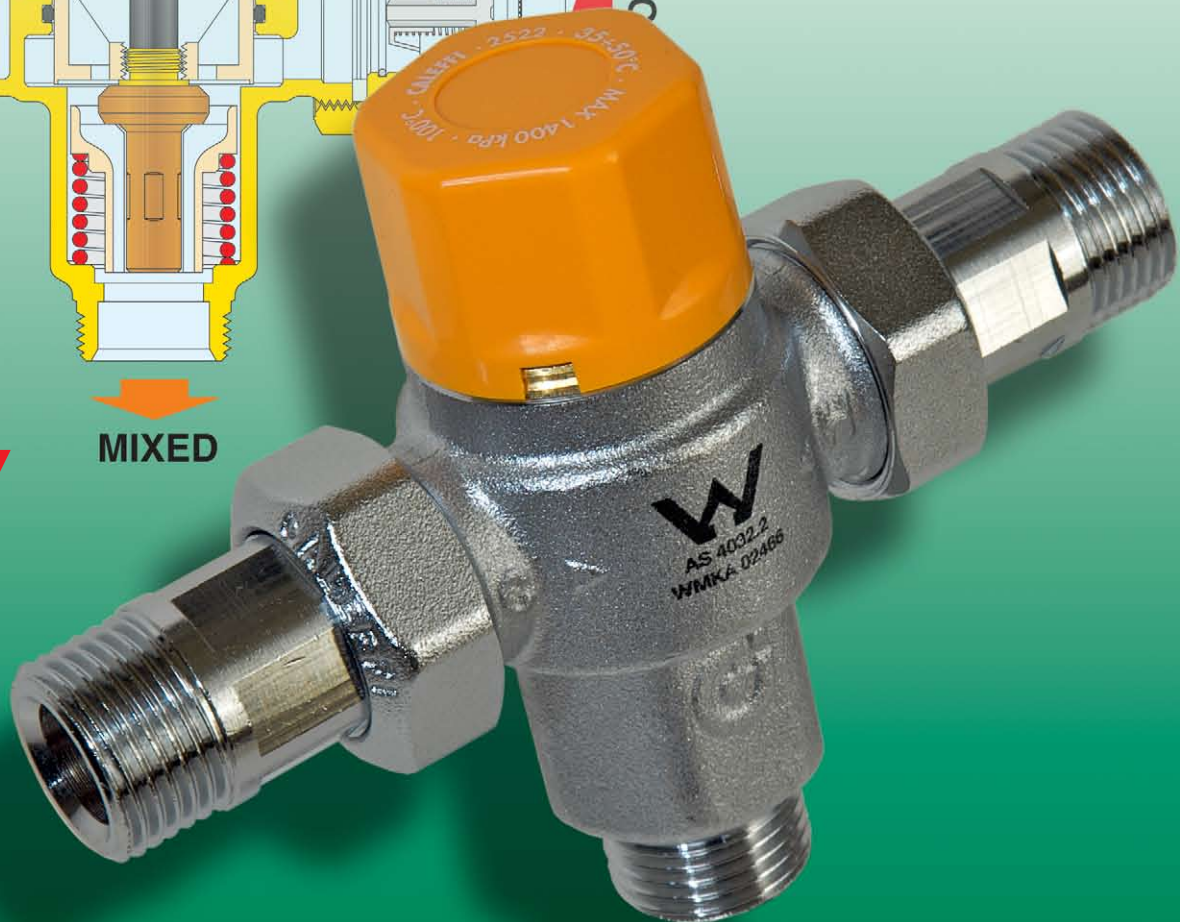
## The Caleffi Bonus

- Specifically designed for solar applications
- Suitable for inlet temperatures up to 100°C
- Special high temp inlet check valves
- Will maintain set temperatures to +/- 3°C
- Anti scald thermal shutoff
- Compact design
- Union ends

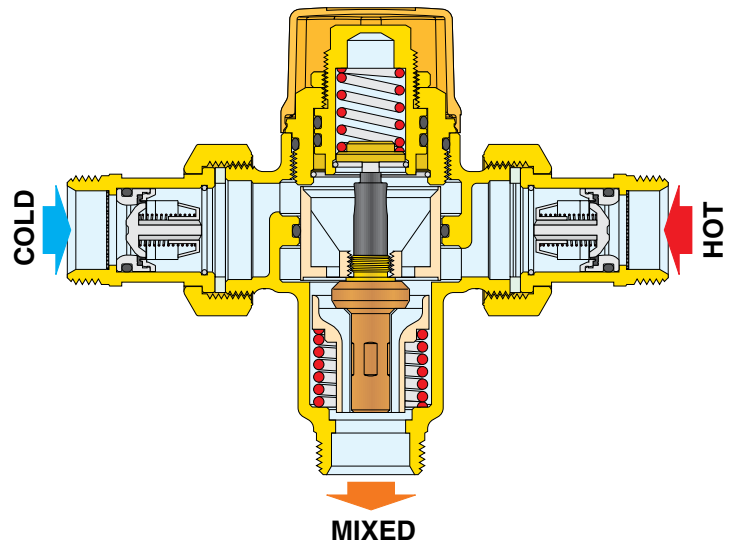
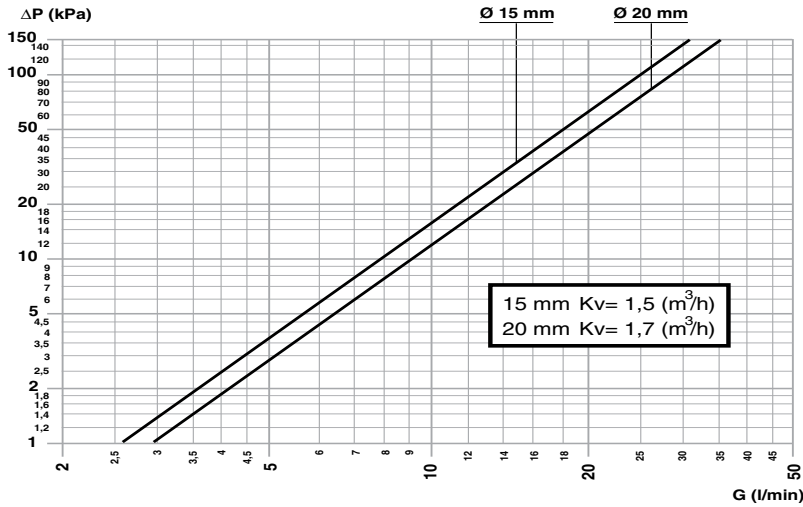
Series  
**2522**



AS4032.2  
WMKA 02466



Available with 15mm or 20mm male compression ends



Code	252212	252219
A	Ø15	Ø20
B	62.5	69
C	125	138
D	91	126.5
E	48.5	84
F	42.5	42.5



### General

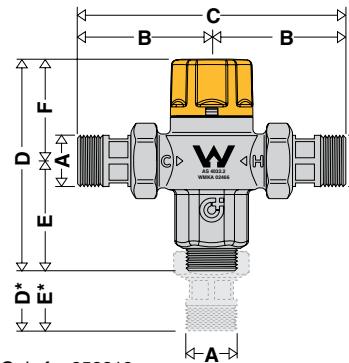
There are substantial benefits to be gained from using solar for heating, however, being an uncontrolled energy source, it is extremely important that the appropriate equipment is used for safety reasons.

The Caleffi 2522 Series tempering valve has been designed specifically for use on solar hot water systems. Because of the high temperatures that can be associated with solar collectors, this valve has the ability to withstand the most exacting conditions. The thermostat can operate with boiling point hot water and yet it still has the reaction performance to maintain the required set temperature.

Our valves are supplied standard with union connections at the inlets and include in-line strainers and check valves.

### Warning

These valves must not be dismantled. Servicing should be restricted to inspecting the inline check valves for correct operation and cleaning the strainers.



\* Only for 252219

### Technical Data

Temperature range	35-50°C
Temperature control	+/- 3°C
Maximum hot inlet temperature	100°C
Maximum working pressure (static)	1400kPa
Maximum working pressure (dynamic)	500kPa
Minimum working pressure (dynamic)	20kPa
Maximum unbalanced dynamic supply pressures (hot/cold or cold/hot)	6:1
Minimum temperature differential between hot water inlet and mixed water outlet to ensure shutoff function	10°C
Minimum flow rate for stable operation	4 l/min

Specifications are subject to change without notice.



All Valve Industries Pty Ltd

30/205 Port Hacking Road Miranda NSW 2228  
www.allvalve.com.au

© May 2008

DISTRIBUTED BY



AS4032.2  
WMKA 02466