

## CIM 81

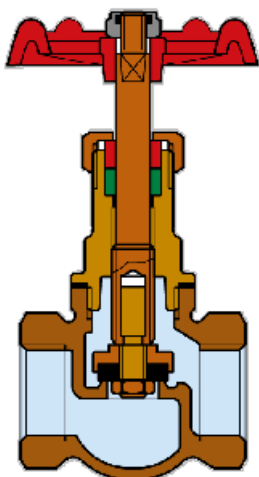
### BRONZE GLOBE VALVE P.T.F.E. DISC - STANDARD TYPE



#### SERVICE RECOMMENDATIONS:

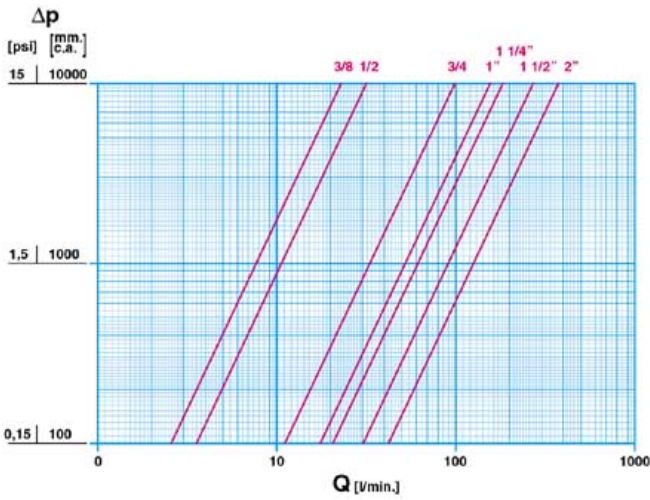
The CIM 81 globe valve is manufactured in accordance with BS 5154/B - PN 20 and EN ISO 9002 and can be used in a wide range of plants, in any industrial and agricultural application: heating plants, sanitary systems, plumbing services, waterworks, steam, gasoline networks, petroleum and other hydrocarbons where fine regulation is required.

#### CROSS SECTION



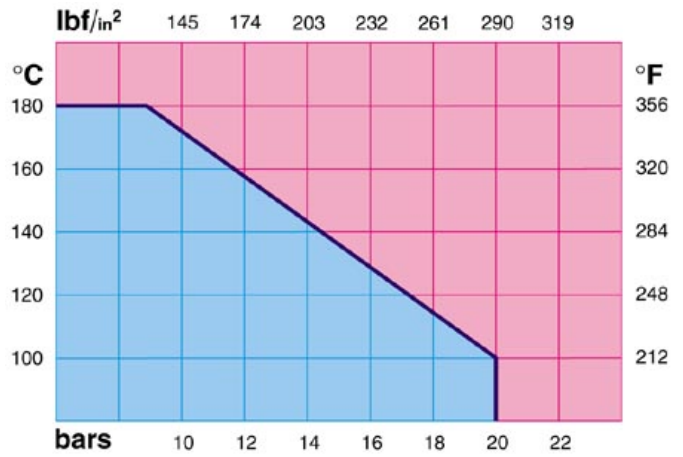
BODY :	CAST IN BRONZE UNI 7013-8°-ISO 1338
BONNET :	HOT FORGED BRASS EN12165 CW 617N
STEM :	MACHINED FROM DRAWN BRASS BAR EN12164 CW 614N
GLAND NUT :	MACHINED FROM DRAWN BRASS BAR EN12164 CW 614N
GLAND :	MACHINED FROM DRAWN BRASS BAR EN12164 CW 614N
GLAND PACKING :	AF 15/MA
BODY PACKING :	NA 1100
DISC HOLDER :	MACHINED FROM DRAWN BRASS BAR EN12164 CW 614N
DISC :	P.T.F.E.
DISC NUT :	MACHINED FROM DRAWN BRASS BAR EN12164 CW 614N
NUT :	SELF LOCKING TYPE
HANDWHEEL :	ALLUMINIO AL/SI 12

## FLOW AND PRESSURE DROP



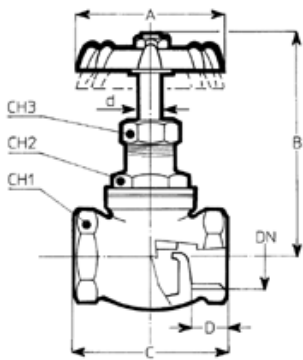
Flow and pressure drop  
 1 l/min = 0,06 m<sup>3</sup>/h  
 1 m<sup>3</sup>/h = 16,67 l/min

## PRESSURE TEMPERATURE RATINGS



Pressure / temperature ratings  
 1 bar = 14,5 p.s.i.  
 $^{\circ}\text{C} = 5/9 (^{\circ}\text{F}-32)$   
 $^{\circ}\text{F} = 32+9/5 ^{\circ}\text{C}$

## TECHNICAL DRAWING



DN	3/8	1/2	3/4	1"	1 1/4"	1 1/2"	2"
Grms.	305	370	545	905	1170	1660	3010
A	55	55	60	65	75	80	90
B	95	97	109	127	149	158	174
C	57	60	70	84	92	107	126
D	11	11	10	15	16	18	19
CH1	25	29	35	44	52	59	72
CH2	23	23	28	33	37	45	54
CH3	18	18	21	23	25	27	33
d	8	8	9	9	10	10	12

Connection:  
 ISO 228

On request:  
 ANSI B.1.20.1 (NPT)

## TECHNICAL CHARACTERISTICS

### KV

DN	3/8	1/2	3/4	1"	1 1/4"	1 1/2"	2"
KV	1,4	1,9	5,8	9,0	11	16	22

KV = Capacity in m<sup>3</sup>/h at pressure drop of 1 bar

KVS = Water flow generated by a pressure loss of 1 bar measured on the test points.