



Cim 787 Variable orifice balancing valve

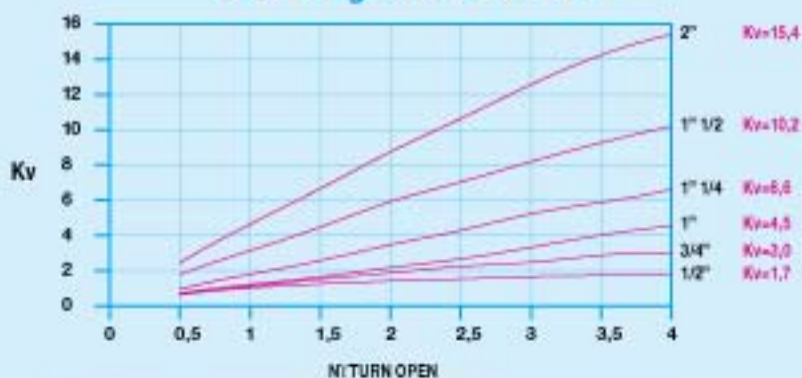
Cim 787 balancing valves are suitable for both heating (LPHW) and cooling applications at working pressures up to 20 bar. Is available in DZ brass (**Cim 787**) or in standard brass (**Cim 787OT**).

- The main features of **Cim 787** balancing valves are as follows:
A metal to metal thread locking mechanism so that valve settings can be accurately locked enabling the valve to be closed and re-opened to its exact pre-set position.
- Allen key locking of valve positions.
- A valve position indicator scale which can be read from any angle.
- An EPDM lined valve plug providing tight shut-off for isolation purposes. 20 bar at -10°C to 100°C, 9 bar at 120°C.

cim 787



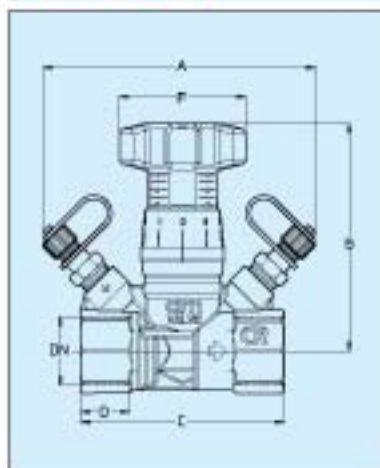
Flow diagramme cim 787



Kv: capacity in m³/h at pressure drop of 1 bar - ELEMENT water - TEMPERATURE 10,5°C

cim 787

VARIABLE ORIFICE BALANCING VALVE



		Cim 787				
DN	Grms.	A	B	C	D	F
1/2	380	106	87,5	75	16	50
3/4	440	107	89,5	80	19	50
1"	535	107	91,5	87	21	50
1 1/4"	960	123	99	106	22,5	50
1 1/2"	1120	128	99	115	23	50
2"	1350	132	100	124	26,5	50