

To AS 2638.2.
Stem sealing exchangeable under pressure
Socket ends to AS/NZS 2280 / AS 1477 Type 2 or AS 1477 Type 1

Use:

For water, sewage and neutral liquid applications

Valve designed for use up to 40°C

Where applicable; for AS 4020 compliance, max temp = 40°C

Note: Always observe pipe material recommended operating temperatures

Tests:

Hydraulic test to AS 2638.2:

Seat: 16 bar

Body: 24 bar

Operating torque test

Optional extras:

Handwheel

ISO flanging for actuation

Materials:

Gland flange, body and bonnet	Ductile iron, 500-7 to AS 1831
Stem cap	Ductile iron, 400-12 to AS 1831
Coating	Electrostatically applied epoxy resin - Internally and externally to AS4158
Stem	Stainless steel 431
Stem sealing	NBR wiper ring, 3 NBR O-rings
Wedge	Ductile iron, 500-7 to AS 1831, core fully vulcanised with EPDM rubber, with integral wedge nut of dezincification resistant brass, CZ 132 to AS 2345
Thrust collar and stem seal box	Dezincification resistant brass, CZ 132 to AS 2345
Bonnet bolts	DN50 - DN250 Grade 8.8, sealed with hot melt
	DN300 - DN400 Grade 12.9, sealed with hot melt
Gland flange bolts	Stainless steel 316
Bonnet gasket	EPDM rubber



AVK Australia's website contains the latest product information and data sheets.

Designs, materials and specifications shown are subject to change without notice due to our continuing program of product development.



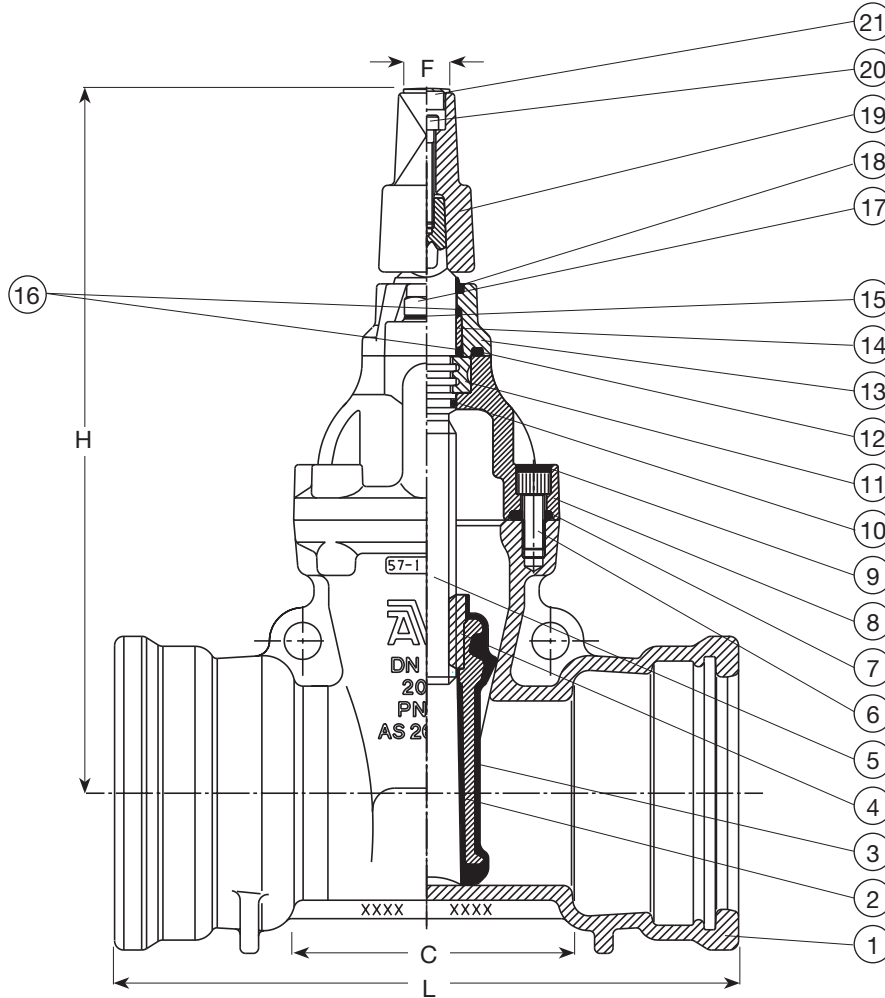
AVK Australia Pty Ltd
 559A Grand Junction Road, Wingfield, SA 5013 Australia
 Tel: +61 8 8368 0900
 Fax: +61 8 8368 0970
 E-mail: info@avkvalves.com.au
 www.avkvalves.com.au
 Copyright© AVK Group A/S 2010

3N5750LQ
 May 2010

To AS 2638.2.
 Stem sealing exchangeable under pressure
 Socket ends to AS/NZS 2280 / AS 1477 Type 2 or AS 1477 Type 1

Component list

- | | | | |
|------------------|------------------|----------------------|-------------------|
| 1. Valve body | 7. Bonnet gasket | 12. O-ring seal | 18. Wiper ring |
| 2. Wedge casting | 8. Bonnet | 13. Gland flange | 19. Stem cap |
| 3. Wedge rubber | 9. Hot melt seal | 14. Bushing | 20. Stem cap bolt |
| 4. Stem nut | 10. O-ring seal | 15. Washer | 21. Insert |
| 5. Stem | 11. Stem collar | 16. O-ring seals (2) | |
| 6. Bonnet bolts | | 17. Gland bolts | |



Ref. nos. CC	Ref. nos. ACC	DN	Pipe D.ex. AS1477 Type 1		Pipe D.ex. AS2280/AS1477 Type 2		L mm	C mm	B mm	H mm	F mm	Weight kilos
			mm min.	mm max.	mm min.	mm max.						
57-080-502943121	57-080-503943121	80	-	-	94	97	316.0	160	-	350	35	17
Refer 57/55 Data Sheet		100										
Refer 57/55 Data Sheet		150										
57-200-502943121	57-200-503943121	200	-	-	230	233	463.3	220	-	595	35	74
57-225-502943121	57-225-503943121	225	-	-	257	260	498.9	235	-	595	35	98
57-250-502943121	57-250-503943121	250	-	-	284	287	524.9	245	-	680	35	100
57-300-502943121	57-300-503943121	300	-	-	343	346	531.1	250	-	755	35	142
57-375-502943121	57-375-503943121	375	-	-	424	428	610.0	300	-	905	35	232
57-080-502943122	57-080-503943122	80	88.7	89.1	-	-	316.0	160	-	350	35	17
Refer 57/55 Data Sheet		100										
Refer 57/55 Data Sheet		150										
57-200-502943122	57-200-503943122	200	225.0	225.6	-	-	463.3	220	-	595	35	74
57-225-502943122	57-225-503943122	225	250.0	250.7	-	-	498.9	235	-	595	35	98
57-250-502943122	57-250-503943122	250	280.0	280.8	-	-	524.9	245	-	680	35	100
57-300-502943122	57-300-503943122	300	315.0	315.9	-	-	531.1	250	-	755	35	142
57-375-502943122	57-375-503943122	375	400.0	401.0	-	-	610.0	300	-	905	35	232